

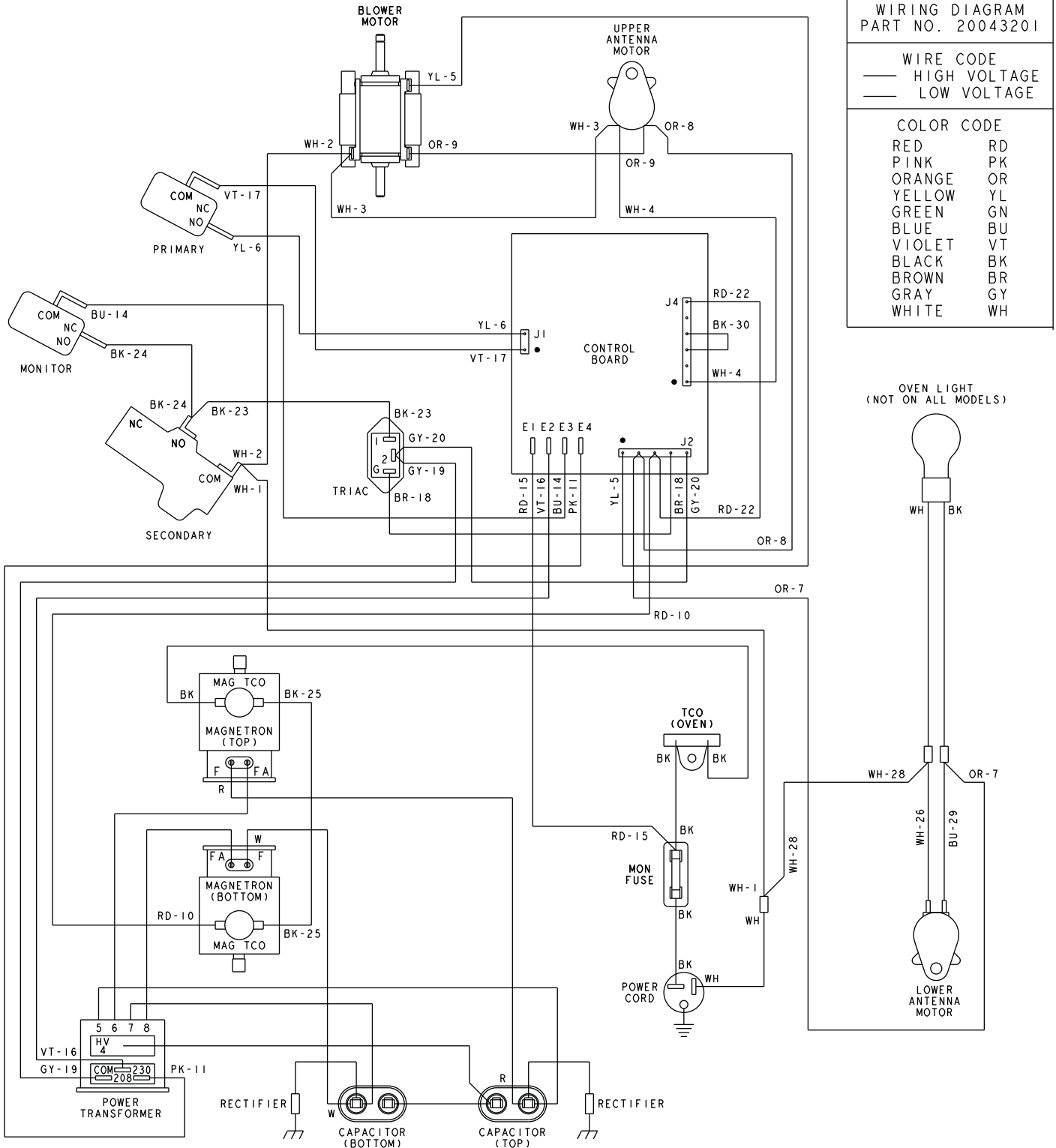
Wiring Diagram

Sample w/ CPI Control Current Production started at S/N 0911102348



WARNING

To avoid risk of electrical shock, personal injury or death, disconnect power to oven and discharge capacitor before servicing, unless testing requires power.

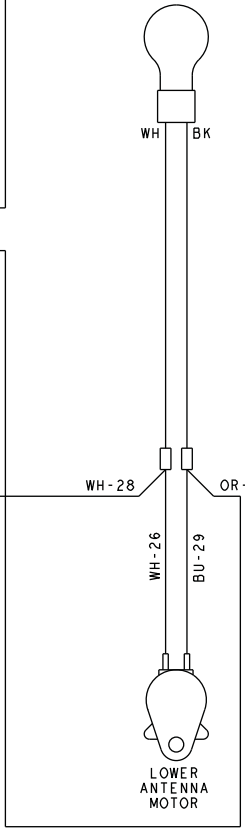


WIRING DIAGRAM
PART NO. 20043201

WIRE CODE	
—	HIGH VOLTAGE
—	LOW VOLTAGE

COLOR CODE	
RED	RD
PINK	PK
ORANGE	OR
YELLOW	YL
GREEN	GN
BLUE	BU
VIOLET	VT
BLACK	BK
BROWN	BR
GRAY	GY
WHITE	WH

OVEN LIGHT
(NOT ON ALL MODELS)



Schematic Diagram

Sample w/ CPI Control Current Production started at S/N 0911102348

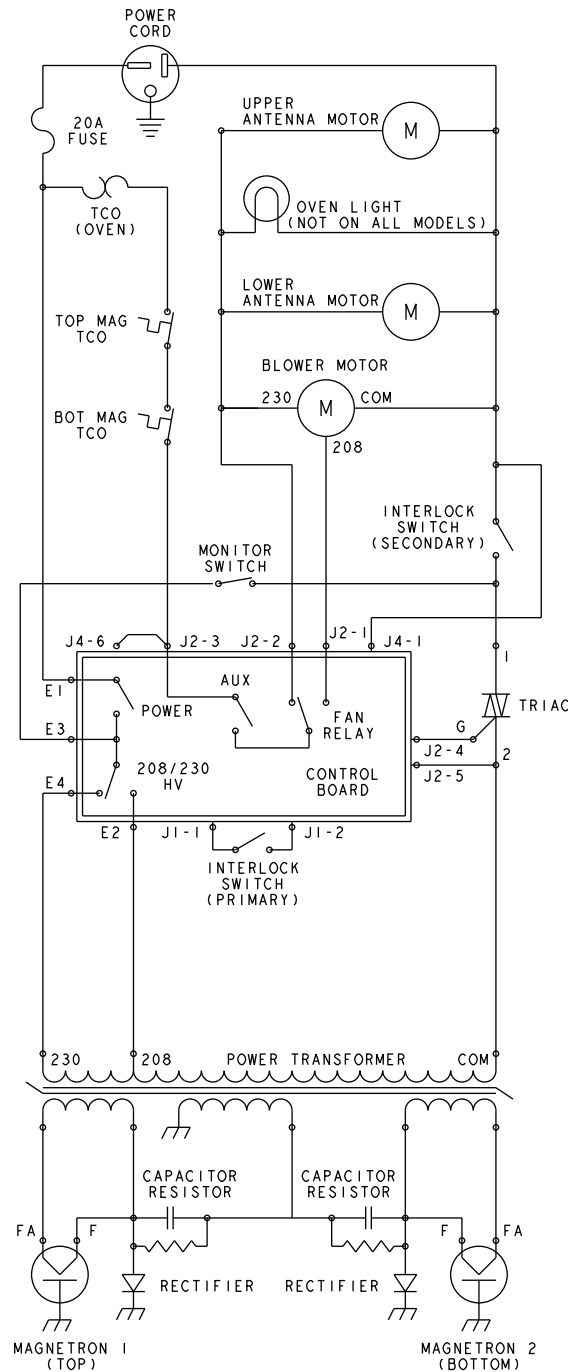
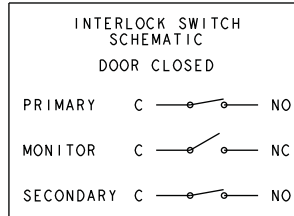


WARNING

To avoid risk of electrical shock, personal injury or death, disconnect power to oven and discharge capacitor before servicing, unless testing requires power.

208/230V 60HZ
3-WIRE

SCHEMATIC
CONDITION:
DOOR OPEN



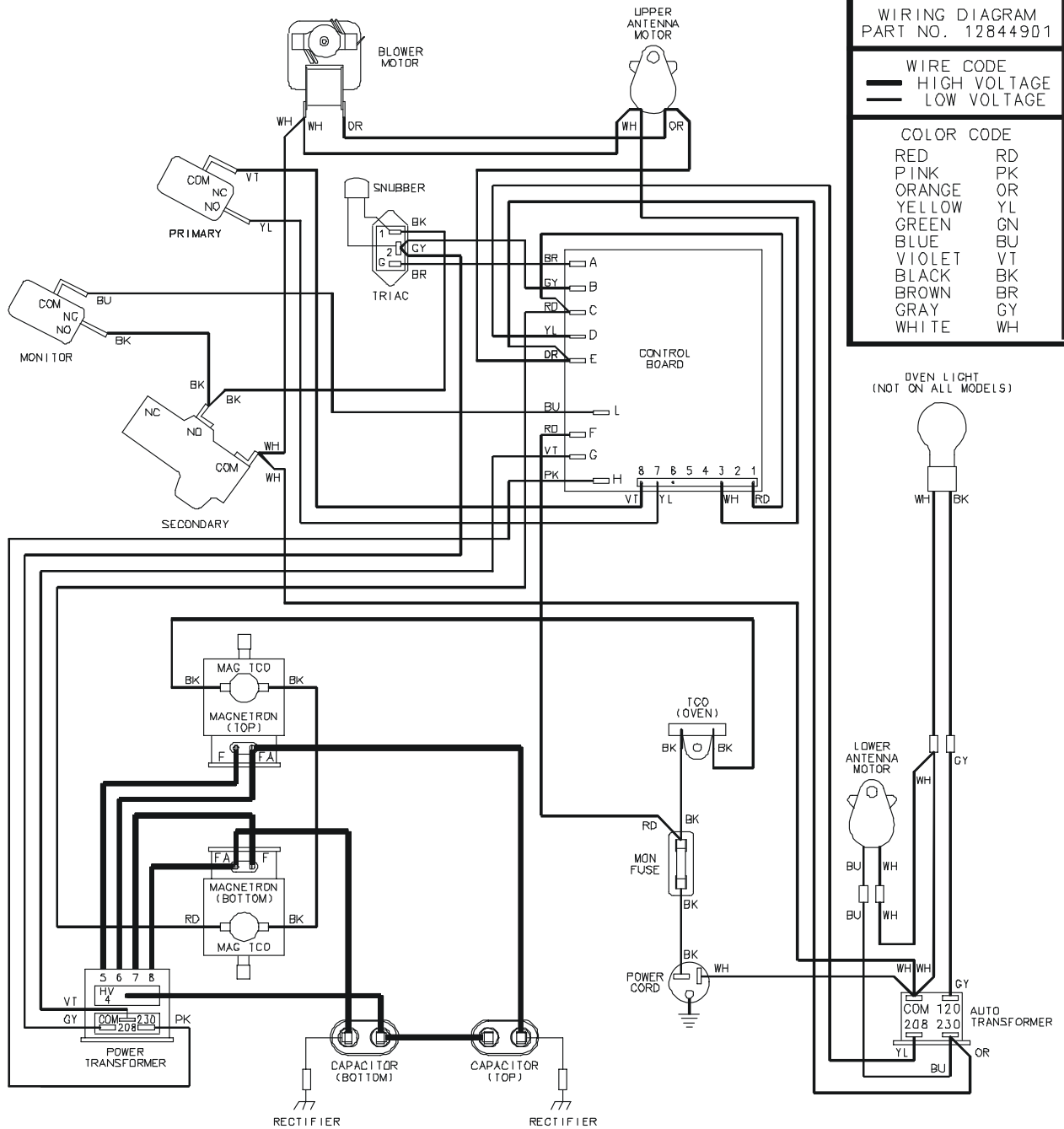
Wiring Diagram

Sample w/ Invensty Control ending at S/N 0911102347



WARNING

To avoid risk of electrical shock, personal injury or death, disconnect power to oven and discharge capacitor before servicing, unless testing requires power.



12844901



DANGER

HIGH VOLTAGE

Schematic Diagram

Sample w/ Inveny Control ending at S/N 0911102347

208/230V 60HZ
3-WIRE

SCHEMATIC
CONDITION:
DOOR OPEN

