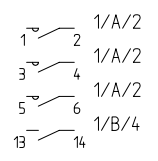


REM.1 DIMENSION OF CABLE ACCORDING TO LOCAL REGULATIONS AND MOTOR POWER



POWER SUPPLY

DIPOSER MOTOR

SOLENOID VALVE WATER

SEPARATE SECURITY BREAKER MUST BE CONNECTED BEFORE THIS EQUIPMENT OPTIONAL DELIVERY FROM DISPERATOR

REV	REFER TO	DATE	SIGN	DISPERATOR AB MÅLARVÄGEN 9 SE-141 71 SEGELTORP, SWEDEN PHONE: +46 8 724 01 60 FAX: +46 8 724 60 70 E-MAIL: info@disperator.se
A				



CONNECTION AND WIRING DIAGRAM
MOTOR CONTACTOR/PROTECTOR FOR DIPOSER
3PH 380-480VAC 50/60HZ
CONTROL VOLTAGE 380-480VAC 50/60HZ

DRAWN PN	SHEET 1
FILE NAME 8000 1233-000-01.dwg	CONT. 2
DATE 14/09/16	REV. A
DWG. NO. 8000 1233-000	

1

2

3

4

5

6

7

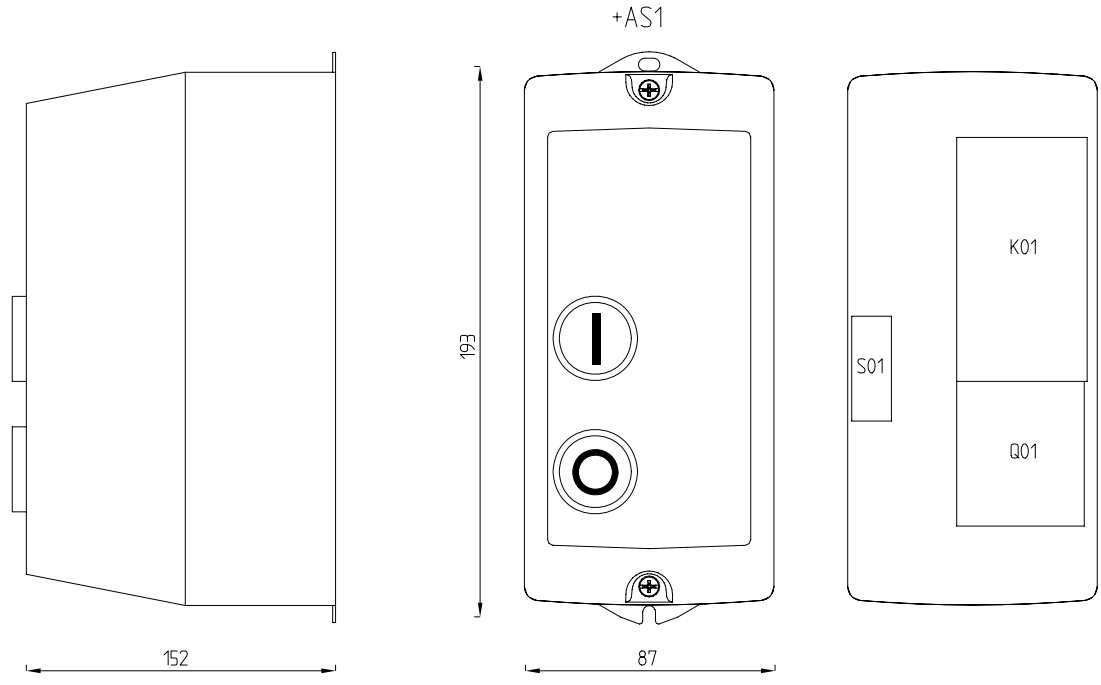
A

B

C

D

E



A			
REV	REFER TO	DATE	SIGN

DISPERATOR AB
 MÅLARVÄGEN 9
 SE-141 71 SEGELTORP, SWEDEN
 PHONE: +46 8 724 01 60
 FAX: +46 8 724 60 70
 E-MAIL: info@disperator.se



ASSEMBLY DRAWING
 MOTOR CONTACTOR/PROTECTOR FOR DISPOSER
 3PH 380-480VAC 50/60HZ
 CONTROL VOLTAGE 380-480VAC 50/60HZ

	DRAWN PN	SHEET 2
FILE NAME 8000 1233-000-02.dwg	DATE 14/09/16	CONT. -
DWG. NO. 8000 1233-000		REV. A