

metos

CONVEYOR TOASTER

METOS MARINE
TM-5H, TM10H
240/1~50/60 HZ

MG4181215, 4181216

INSTALLATION AND OPERATING MANUAL



CONTENTS



Important Owner Information	2	Installation	6
Introduction	2	General	6
Important Safety Information	3	Front or Rear Discharge Installation	6
Model Description	4	Operation	7
All Models	4	General	7
TM-5 and TM-5H Models	4	Maintenance	8
TM-10 and TM-10H Models	4	General	8
Model Designation	4	Daily Cleaning	8
Specifications	5	Troubleshooting Guide	9
Plug Configurations	5	International Limited Warranty	10
Electrical Rating Chart	5	Service Information	10
Dimensions	5		

IMPORTANT OWNER INFORMATION

Record the model number, serial number, voltage, and purchase date of the unit in the spaces below (specification label located on the side of the unit). Please have this information available when calling Hatco for service assistance.

Model No. _____

Serial No. _____

Voltage _____

Date of Purchase _____

Business Hours: 8:00 AM to 5:00 PM
Central Standard Time (C.S.T.)
(Summer Hours: June to September—
8:00 AM to 5:00 PM C.S.T.
Monday through Thursday
8:00 AM to 2:30 PM C.S.T. Friday)

Telephone: (414) 671-6350

E-mail: partsandservice@hatcocorp.com

Fax: (414) 671-3976 (Parts and Service)

Additional information can be found by visiting our web site at www.hatcocorp.com.

Register your unit!

Completing online warranty registration will prevent delay in obtaining warranty coverage. Access the Hatco website at www.hatcocorp.com, select the *Parts & Service* pull-down menu, and click on "Warranty Registration".

INTRODUCTION

The Hatco Toast-Max™ Electric Conveyor Toaster is specially designed to accelerate the toasting operation. Products pass through a heating chamber for rapid and thorough toasting. Moisture and sugar content and thickness of bread product effect the ability to achieve the perfect toasted product. Utilizing conveyor speed, not temperature, to determine toasting color, allows for instant adjustment of toasting time.

Hatco toasters are built with quality to meet the demands of foodservice operations and provide years of trouble-free performance. The serpentine metal-sheathed tubular heating elements are guaranteed against breakage and burnout for two years.

The Hatco Toast-Max™ Electric Conveyor Toaster is a product of extensive research and field testing. The materials used were selected for maximum durability, attractive appearance, and optimum performance. Every unit is inspected and tested thoroughly prior to shipment.

This manual provides the installation, safety, and operating instructions for the Hatco Toast-Max™ Electric Conveyor Toaster. Hatco recommends all installation, operating, and safety instructions appearing in this manual be read prior to installation or operation of the unit.

Safety information that appears in this manual is identified by the following signal word panels:



WARNING indicates a hazardous situation which, if not avoided, could result in death or serious injury.



CAUTION indicates a hazardous situation which, if not avoided, could result in minor or moderate injury.



NOTICE is used to address practices not related to personal injury.



Read the following important safety information before using this equipment to avoid serious injury or death and to avoid damage to equipment or property.

WARNING

ELECTRIC SHOCK HAZARD:

- Plug unit into a properly grounded electrical receptacle of the correct voltage, size, and plug configuration. If plug and receptacle do not match, contact a qualified electrician to determine and install proper voltage and size electrical receptacle.
- Turn OFF power switch, unplug power cord, and allow unit to cool before performing any cleaning, adjustments, maintenance, or attempting to clear a jam.
- DO NOT submerge or saturate with water. Unit is not waterproof. Do not operate if unit has been submerged or saturated with water.
- Unit is not weatherproof. Locate unit indoors where ambient air temperature is a minimum of 21°C (70°F).
- Do not steam clean or use excessive water on unit.
- This unit is not “jet-proof” construction. Do not use jet-clean spray to clean this unit.
- Do not pull unit by power cord.
- Discontinue use if power cord is frayed or worn.
- Do not attempt to repair or replace a damaged power cord. Cord must be replaced by Hatco, an Authorized Hatco Service Agent, or a person with similar qualifications.
- This unit must be serviced by qualified personnel only. Service by unqualified personnel may lead to electric shock or burn.
- Do not clean unit when it is energized or hot.
- Do not allow liquids to spill into unit.
- Use only Genuine Hatco Replacement Parts when service is required. Failure to use Genuine Hatco Replacement Parts will void all warranties and may subject operators of the equipment to hazardous electrical voltage, resulting in electrical shock or burn. Genuine Hatco Replacement Parts are specified to operate safely in the environments in which they are used. Some aftermarket or generic replacement parts do not have the characteristics that will allow them to operate safely in Hatco equipment.

FIRE HAZARD:

- Locate unit a minimum of 25 mm (1”) from combustible walls and materials. If safe distances are not maintained, combustion or discoloration could occur.
- Do not place anything on top of toaster. Do not place toaster near or underneath curtains or other combustible materials. Items near or on top of toaster could catch fire causing injury and/or damage to the toaster.

WARNING

EXPLOSION HAZARD: Do not store or use gasoline or other flammable vapors or liquids in the vicinity of this or any other appliance.

In case of fire, disconnect toaster from power source immediately. This allows the unit to cool, making it easier and safer to put out the fire.

Do not operate this unit with an external timer or remote control system.

Make sure all operators have been instructed on the safe and proper use of the unit.

This unit is not intended for use by children or persons with reduced physical, sensory, or mental capabilities. Ensure proper supervision of children and keep them away from the unit.

This unit has no “user-serviceable” parts. If service is required on this unit, contact an Authorized Hatco Service Agent or contact the Hatco Service Department at 414-671-6350; fax 414-671-3976.

CAUTION

BURN HAZARD:

- Some exterior surfaces on unit will get hot. Use caution when touching these areas.
- Do not remove crumb tray for cleaning until toaster is cool.

Locate unit at proper counter height in an area that is convenient for use. The location should be level to prevent unit or its contents from falling accidentally and strong enough to support the weight of unit and contents.

Always operate toaster with crumb tray installed.

Toasting of coated or buttered products such as garlic bread, cheese sandwiches, and sweet rolls is NOT recommended. Residue will reduce toaster performance and could ignite inside toaster. Using toaster with food products listed above will void unit warranty.

NOTICE

Use non-abrasive cleaners and cloths only. Abrasive cleaners and cloths could scratch finish of unit, marring its appearance and making it susceptible to soil accumulation.

Submerging or saturating unit with water will damage the unit and void unit warranty.

Do not lay unit on the side with the control panel. Damage to the unit could occur.

This unit is intended for commercial use only — NOT for household use.

MODEL DESCRIPTION



All Models

All Toast-Max™ Electric Conveyor Toasters are fast, reliable, and versatile, toasting up to 300 bread or bun product per hour. The front or rear discharge allows the operator to place the Toast-Max toaster where it is most convenient. Toast-Max toasters feature long lasting serpentine metal sheathed heating elements, a permanently lubricated conveyor motor, and a four position toast selector switch. Every unit is shipped with 102 mm (4") adjustable legs, a feed ramp, a removable crumb tray, and a front discharge chute.

TM-5 Model

The TM-5 model allows for toasting of bread products up to 38 mm (1-1/2") thick and 187 mm (7-3/8") wide. Capacity is up to 180 slices per hour.

TM-5H Model

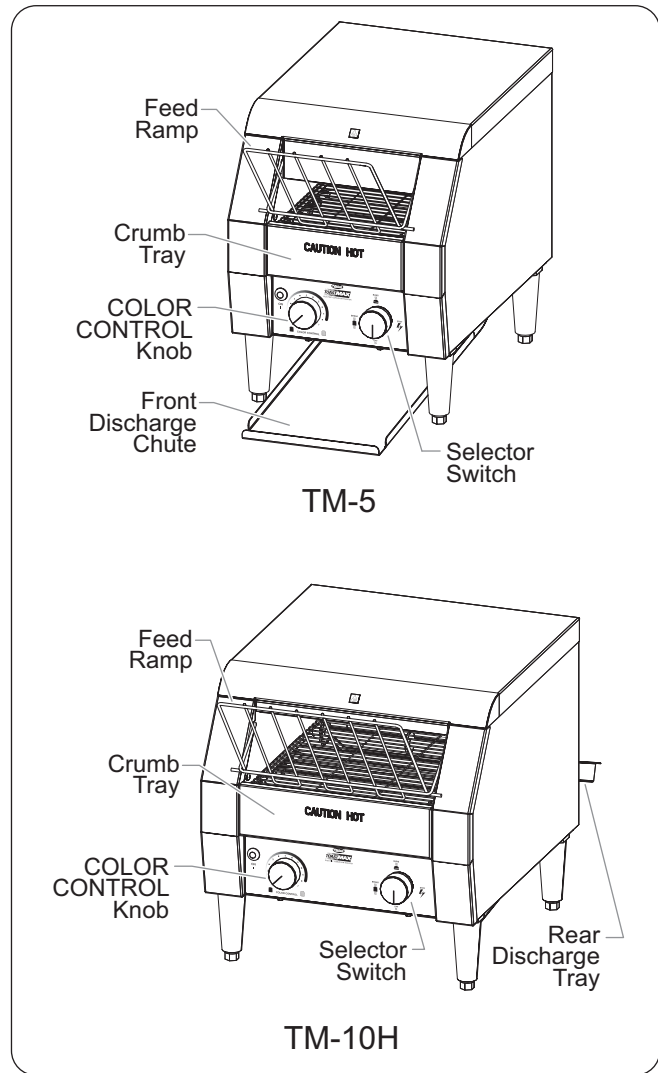
The TM-5H model allows for toasting of bread products up to 64 mm (2-1/2") thick and 187 mm (7-3/8") wide. Capacity is up to 180 slices per hour.

TM-10 model

The TM-10 model allows for toasting of bread products up to 38 mm (1-1/2") thick and 245 mm (9-5/8") wide. Capacity is up to 300 slices per hour.

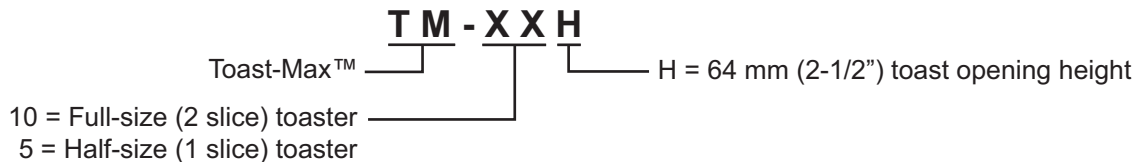
TM-10H model

The TM-10H model allows for toasting of bread products up to 64 mm (2-1/2") thick and 245 mm (9-5/8") wide. Capacity is up to 300 slices per hour.



TM-5 and TM-10H Models

MODEL DESIGNATION



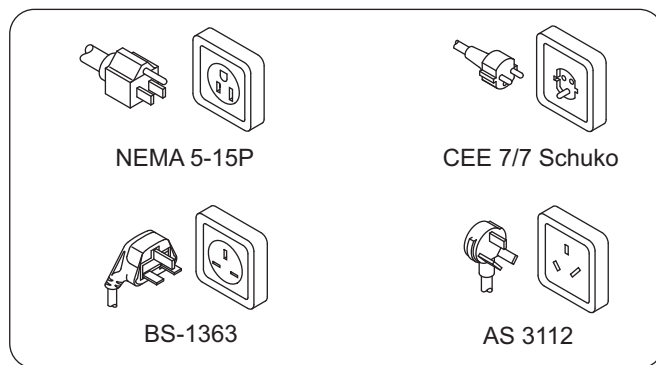
Plug Configurations

Units are supplied from the factory with an electrical cord and plug. Plugs are supplied according to the application.



ELECTRIC SHOCK HAZARD: Plug unit into a properly grounded electrical receptacle of the correct voltage, size, and plug configuration. If plug and receptacle do not match, contact a qualified electrician to determine and install proper voltage and size electrical receptacle.

NOTE: The specification label is located on the side of the unit. See label for serial number and verification of unit electrical information.



Plug Configurations

NOTE: Receptacle not supplied by Hatco.

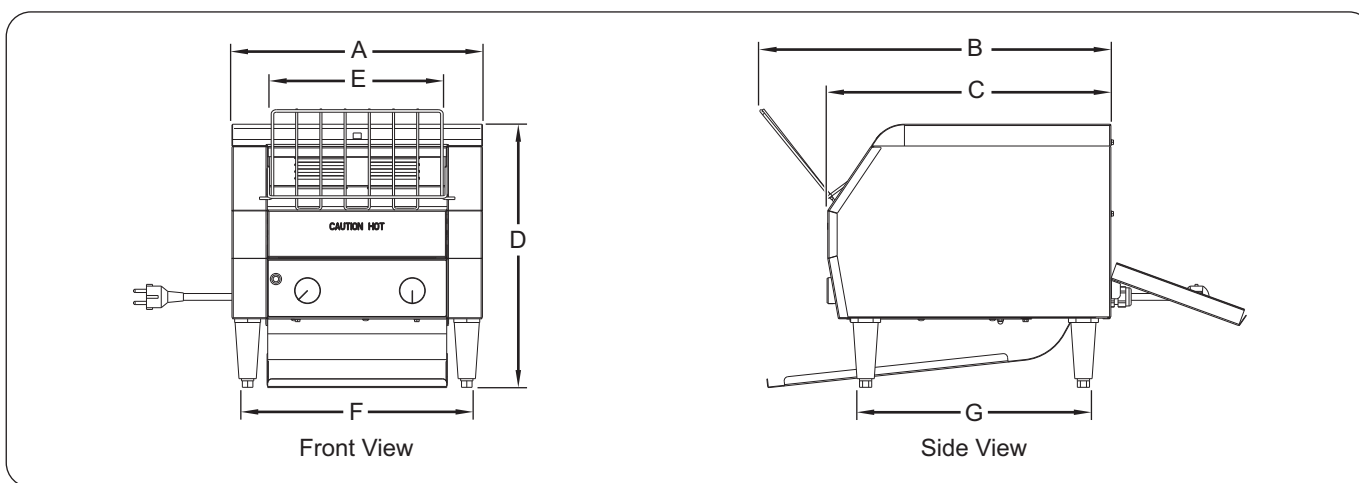
Electrical Rating Chart

Model	Voltage	Hertz	Watts	Amps	Plug Configuration	Shipping Weight
TM-5	220–240 (CE)	50/60	1340–1595	6.1–6.6	CEE 7/7 Schuko, BS-1363, or AS 3112	16 kg (36 lbs.)
TM-5H	100	50/60	1340	13.4	NEMA 5-15	16 kg (36 lbs.)
	120	50/60	1340	11.2	NEMA 5-15	16 kg (36 lbs.)
	220–240 (CE)	50/60	1340–1595	6.1–6.6	CEE 7/7 Schuko, BS-1363, or AS 3112	16 kg (36 lbs.)
TM-10	220–240 (CE)	50/60	1940–2300	8.8–9.6	CEE 7/7 Schuko, BS-1363, or AS 3112	19 kg (41 lbs.)
TM-10H	120	50/60	1790	14.9	NEMA 5-15	19 kg (41 lbs.)
	220–240 (CE)	50/60	1940–2300	8.8–9.6	CEE 7/7 Schuko, BS-1363, or AS 3112	19 kg (41 lbs.)

Dimensions

Model	Width (A)	Overall Depth (B)*	Unit Depth (C)	Height (D)	Chamber Width (E)	Footprint Width (F)	Footprint Depth (G)
TM-5 and TM-5H	290 mm (11-7/16")	523 mm (20-5/8")	419 mm (16-1/2")	387 mm (15-1/4")	186 mm (7-3/8")	260 mm (10-1/4")	336 mm (13-1/4")
TM-10 and TM-10H	368 mm (14-1/2")	520 mm (20-1/2")	419 mm (16-1/2")	387 mm (15-1/4")	264 mm (10-3/8")	338 mm (13-3/8")	336 mm (13-1/4")

* Add 195 mm (7-3/4") to Overall Depth (B) for units equipped with a rear discharge tray.



Dimensions

INSTALLATION

GB

General

The Toast-Max™ Electric Conveyor Toaster is shipped with all components pre-assembled. Care should be taken when unpacking the shipping carton to avoid damage to the unit and the components enclosed.

WARNING

ELECTRIC SHOCK HAZARD: Unit is not weatherproof. Locate unit indoors where ambient air temperature is a minimum of 21°C (70°F).

EXPLOSION HAZARD: Do not store or use gasoline or other flammable vapors or liquids in the vicinity of this or any other appliance.

FIRE HAZARD:

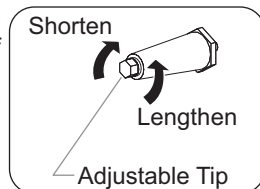
- Locate unit a minimum of 25 mm (1") from combustible walls and materials. If safe distances are not maintained, combustion or discoloration could occur.
- Do not place anything on top of toaster. Do not place toaster near or underneath curtains or other combustible materials. Items near or on top of toaster could catch fire causing injury and/or damage to the toaster.

1. Remove the unit from the carton.

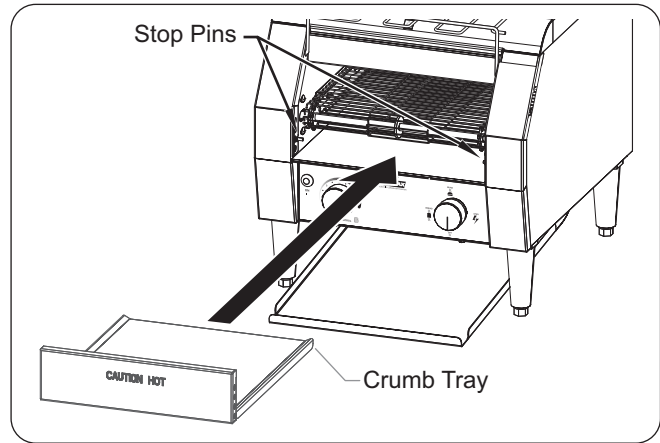
NOTE: To prevent delay in obtaining warranty coverage, complete online warranty registration. See the IMPORTANT OWNER INFORMATION section for details.

2. Remove tape and protective packaging from all surfaces of the unit.
3. Place the unit in the desired location.
 - Locate the unit in an area where the ambient air temperature is constant and a minimum of 21°C (70°F). Avoid areas that may be subject to active air movements or currents (i.e., near exhaust fans/hoods and air conditioning ducts).
 - Make sure the unit is at the proper counter height in an area convenient for use.
 - Make sure the countertop is level and strong enough to support the weight of the unit and food product.
 - Make sure all the feet on the bottom of the unit are positioned securely on the countertop.

4. Level the unit by turning the adjustable tip on each leg, if necessary. Use a 16 mm (5/8") open-end wrench to make leveling adjustments.



5. Install the crumb tray.
 - a. Position the crumb tray directly below the stop pins under the conveyor belt at the front of the toaster.
 - b. Slide the crumb tray into the toaster until the front of the crumb tray meets the stop pins.
6. Install the front discharge chute or rear discharge tray to the rear of the unit. Refer to the "Front or Rear Discharge Installation" procedure in this section.



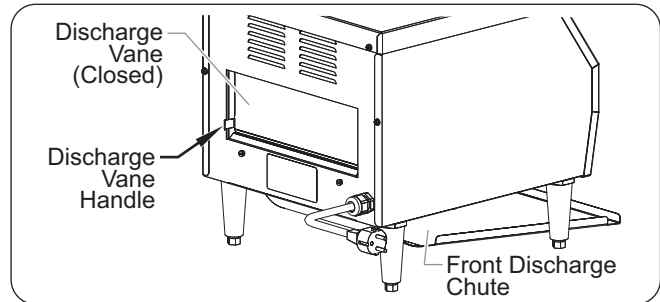
Installing the Crumb Tray

Front or Rear Discharge Installation

Toast-Max units can be set up so toasted product discharges at either the front or the rear of the unit.

For front discharge:

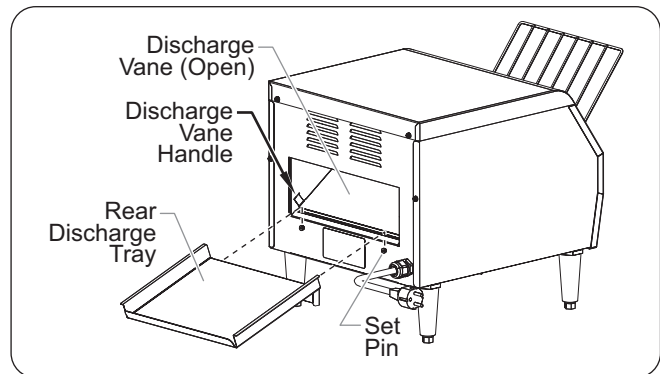
1. Slide the front discharge chute underneath the toaster.
2. Angle the curved end of the chute up slightly to place the lip of the chute over the rear pins (one on each side).
3. Pull shut the discharge vane so it is in the closed position.



Front Discharge (Rear View)

For rear discharge:

1. Remove the front discharge chute if it is installed.
2. Align the notches on the rear discharge tray over the two set pins and lower into place.
3. Push open the discharge vane so it rests on the pins inside of the unit.



Rear Discharge (Rear View)

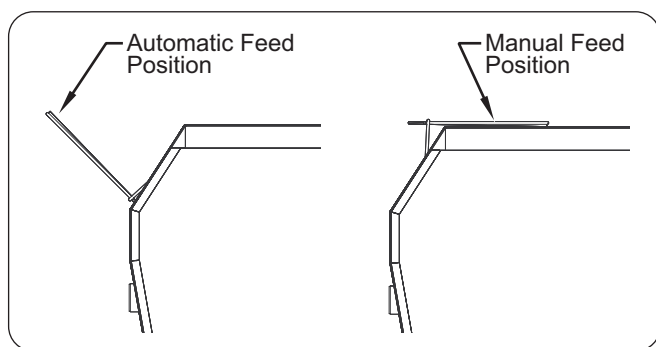
General

The Electric Conveyor Toaster is designed for ease of operation. Perform the following procedure to operate the toaster.

WARNING

Read all safety messages in the **IMPORTANT SAFETY INFORMATION** section before operating this equipment.

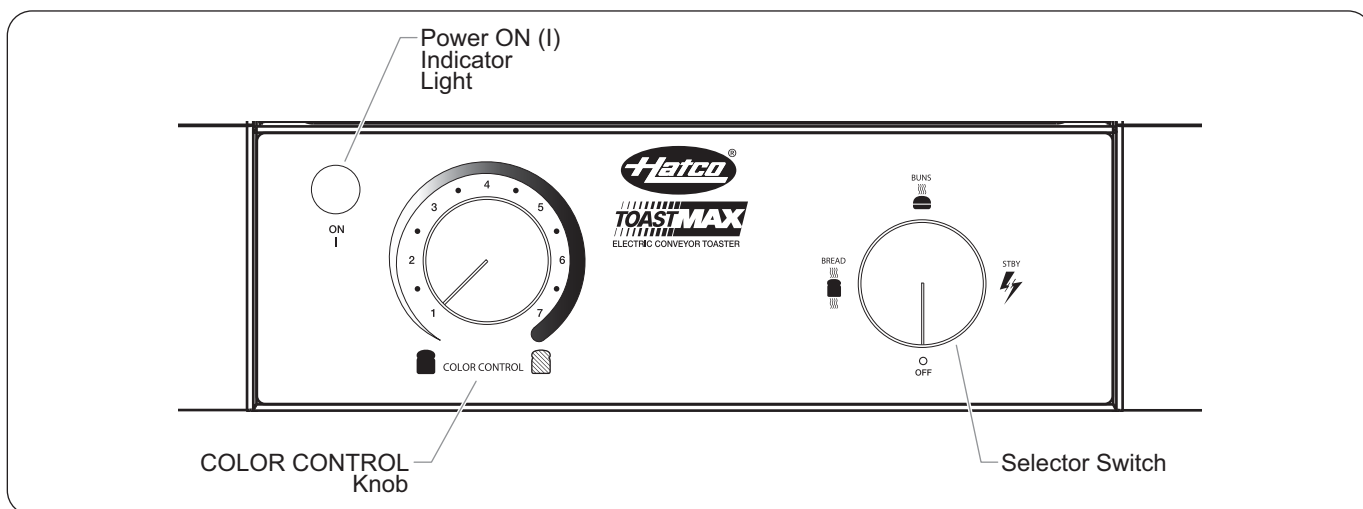
1. Plug the unit into a properly grounded electrical receptacle of the correct voltage, size, and plug configuration. See the SPECIFICATIONS section for details.
2. Move the feed ramp to the desired position.
 - For automatic feeding, move the feed ramp to the automatic feed position. Bread products enter the toaster by placing them on the feed ramp and releasing.
 - For manual feeding, rotate the feed ramp up until it rests on top of the unit. Bread products can be loaded manually by placing directly on the conveyor belt.



Toast Feed Ramp

3. Move the selector switch to the desired toasting setting.
 - To toast both sides of the bread, place the selector switch in the BREAD position.
 - To toast the top of the bread only, place the selector switch in the BUN position.

NOTE: The Power ON (I) Indicator Light will glow after a toasting selection is made.



Control Panel

4. Turn the COLOR CONTROL knob to the lightest position while the unit heats up.

NOTE: Allow approximately 15 to 20 minutes for a warm-up period.

CAUTION

BURN HAZARD: Some exterior surfaces on unit will get hot. Use caution when touching these areas.

5. After warm-up period, set the COLOR CONTROL knob to the medium position and toast two slices of bread product then re-adjust the COLOR CONTROL knob to the desired setting.

NOTE: To toast moist products such as English muffins, rye bread, or whole wheat, slow the conveyor by turning the COLOR CONTROL knob to a darker setting (clockwise).

All TM series toasters can be put into a Power Save mode by placing the selector switch in the STBY (standby) position. The toaster is operating at 25% power in the Power Save mode.

NOTE: To place toaster back into full operation, turn the selector switch to the BREAD or BUN position. Unit is back up and ready for toasting within 5 minutes.

CAUTION

Always operate toaster with crumb tray installed.

Toasting of coated or buttered products such as garlic bread, cheese sandwiches, and sweet rolls is **NOT** recommended. Residue will reduce toaster performance and could ignite inside toaster. Using toaster with the food products listed above will void unit warranty.

General

The Toast-Max™ Electric Conveyor Toaster is designed for maximum durability and performance with minimum maintenance.

WARNING

ELECTRIC SHOCK HAZARD:

- Turn OFF power switch, unplug power cord, and allow unit to cool before performing any cleaning, adjustments, maintenance, or attempting to clear a jam.
- DO NOT submerge or saturate with water. Unit is not waterproof. Do not operate if unit has been submerged or saturated with water.
- Do not steam clean or use excessive water on unit.
- This unit is not “jet-proof” construction. Do not use jet-clean spray to clean this unit.
- Do not clean unit when it is energized or hot.
- Do not allow liquids to spill into unit.
- Use only Genuine Hatco Replacement Parts when service is required. Failure to use Genuine Hatco Replacement Parts will void all warranties and may subject operators of the equipment to hazardous electrical voltage, resulting in electrical shock or burn. Genuine Hatco Replacement Parts are specified to operate safely in the environments in which they are used. Some aftermarket or generic replacement parts do not have the characteristics that will allow them to operate safely in Hatco equipment.

This unit has no “user-serviceable” parts. If service is required on this unit, contact an Authorized Hatco Service Agent or contact the Hatco Service Department at 414-671-6350; International fax 414-671-3976.

Daily Cleaning

To preserve the bright finish of the unit it is recommended that the exterior surfaces be cleaned daily with a damp cloth.

NOTICE

Use non-abrasive cleaners and cloths only. Abrasive cleaners and cloths could scratch finish of unit, marring its appearance and making it susceptible to soil accumulation.

Submerging or saturating unit with water will damage the unit and void unit warranty.

1. Remove and empty the crumb tray.

CAUTION

Do not remove the crumb tray for cleaning until toaster is cool.

2. Wash the crumb tray with warm water and a mild detergent. Rinse with water.
 - Allow the crumb tray to air dry before placing back into the toaster.
3. Remove and wash the front discharge chute or rear discharge tray with a mild detergent. Rinse with water.
 - Allow the front discharge chute or rear discharge tray to air dry before reinstalling.
4. Wipe the exterior surface of the toaster with a damp cloth. **NOTICE: Use non-abrasive cleaners only.**
5. Remove and clean the toast feed ramp.
 - a. Press in the two wire spokes and lift up to remove the toast feed ramp.
 - b. Wipe clean with a soft damp cloth or soak the ramp in a mild solution of 1 cup (227 ml) ammonia and 1 gallon (3.785 L) of water.
 - c. Align the wire spokes with the holes in the toaster to re-install the ramp.

NOTE: The conveyor gear motor and conveyor system are permanently lubricated and require no lubrication.

⚠ WARNING

This unit must be serviced by qualified personnel only. Service by unqualified personnel may lead to electric shock or burn.

⚠ WARNING

ELECTRIC SHOCK HAZARD: Turn OFF power switch, unplug power cord, and allow unit to cool before performing any cleaning, adjustments, maintenance, or attempting to clear a jam.

Symptom	Probable Cause	Corrective Action
Toast too light.	COLOR CONTROL knob set on a light setting.	Turn COLOR CONTROL knob to a darker setting.
	Unit not warmed up. The toaster needs time to heat up when initially turned on.	Allow approximately 15 to 20 minutes for the unit to warm up.
	Supply voltage to unit is low.	Verify the supply voltage to the toaster matches the unit specifications.
Toast too dark.	COLOR CONTROL knob set on a dark setting.	Turn COLOR CONTROL knob to a lighter setting.
	Supply voltage to unit is high.	Verify the supply voltage to the toaster matches the unit specifications.
Unit toasts on one side only.	Selector switch is in the BUN position (one-sided toasting).	Place the selector switch in the BREAD position (two-sided toasting).
	Heating element defective.	If the element does not glow, contact Authorized Service Agent or Hatco for assistance.
Toaster trips the circuit breaker or GFCI.	Circuit breaker is not sized properly for the toaster.	Check circuit breaker for proper sizing.
	Wiring fault inside toaster.	Contact Authorized Service Agent or Hatco for assistance.

INTERNATIONAL LIMITED WARRANTY



1. PRODUCT WARRANTY

Hatco warrants the products that it manufactures (the "Products") to be free from defects in materials and workmanship, under normal use and service, for a period of one (1) year from the date of purchase when installed and maintained in accordance with Hatco's written instructions or 18 months from the date of shipment from Hatco. Buyer must establish the Product's purchase date by registering the Product with Hatco or by other means satisfactory to Hatco in its sole discretion.

Hatco warrants the following Product components to be free from defects in materials and workmanship from the date of purchase (subject to the foregoing conditions) for the period(s) of time and on the conditions listed below:

a) Two (2) Year Parts Warranty:

Conveyor Toaster Elements (metal sheathed)
Drawer Warmer Elements (metal sheathed)
Drawer Warmer Drawer Rollers and Slides
Strip Heater Elements (metal sheathed)
Display Warmer Elements (metal sheathed air heating)
Holding Cabinet Elements (metal sheathed air heating)
Heated Well Elements — HWB Series (metal sheathed)

b) One (1) Year Parts PLUS Four (4) Years Parts Warranty on pro-rated terms that Hatco will explain at Buyer's request:

3CS and FR Tanks

c) Ten (10) Year Parts Warranty:

Electric Booster Heater Tanks
Gas Booster Heater Tanks

d) Ninety (90) Day Parts Warranty:

Replacement Parts

THE FOREGOING WARRANTIES ARE EXCLUSIVE AND IN LIEU OF ANY OTHER WARRANTY, EXPRESSED OR IMPLIED, INCLUDING BUT NOT LIMITED TO ANY IMPLIED WARRANTY OF MERCHANTABILITY OR FITNESS FOR A PARTICULAR PURPOSE OR PATENT OR OTHER INTELLECTUAL PROPERTY RIGHT INFRINGEMENT. Without limiting the generality of the foregoing, SUCH WARRANTIES DO NOT COVER: Coated incandescent light bulbs, fluorescent lights, heat lamp bulbs, coated halogen light bulbs, halogen heat lamp bulbs, xenon light bulbs, LED light tubes, glass components, and fuses; Product failure in booster tank, fin tube heat exchanger, or other water heating equipment caused by liming, sediment buildup, chemical attack, or freezing; or Product misuse, tampering or misapplication, improper installation, or application of improper voltage.

2. LIMITATION OF REMEDIES AND DAMAGES

Hatco's liability and Buyer's exclusive remedy hereunder will be limited solely to replacement of part or Product using, at Hatco's option, new or refurbished parts or Product by Hatco or a Hatco-authorized service agency with respect to any claim made within the applicable warranty period referred to above. Hatco reserves the right to accept or reject any such claim in whole or in part. In the context of this Limited Warranty, "refurbished" means a part or Product that has been returned to its original specifications by Hatco or a Hatco-authorized service agency. Hatco will not accept the return of any Product without prior written approval from Hatco, and all such approved returns shall be made at Buyer's sole expense. HATCO WILL NOT BE LIABLE, UNDER ANY CIRCUMSTANCES, FOR CONSEQUENTIAL OR INCIDENTAL DAMAGES, INCLUDING BUT NOT LIMITED TO LABOR COSTS OR LOST PROFITS RESULTING FROM THE USE OF OR INABILITY TO USE THE PRODUCTS OR FROM THE PRODUCTS BEING INCORPORATED IN OR BECOMING A COMPONENT OF ANY OTHER PRODUCT OR GOODS.

SERVICE INFORMATION

The warranty on Hatco Toast-Max™ Series toasters is for one year from date of purchase or eighteen months from date of shipping from Hatco, whichever occurs first.

If you experience a problem with a Toast-Max™ toaster during the warranty period, please do the following:

Contact Local Hatco Dealer

When contacting the Hatco dealer for service assistance, please supply the dealer with the following information to ensure prompt processing:

- Model of unit
- Serial number (located on the side of the unit)
- Specific problem with the unit
- Date of purchase
- Name of business
- Shipping address
- Contact name and phone number

The Hatco dealer will do the following:

- Provide replacement part(s) as required
- Submit warranty claim to Hatco for processing

Non-Warranty Problems

If you experience a non-warranty problem that requires assistance, please contact the nearest Authorized Hatco Service Agency.

To locate the nearest Service Agency:

- access our website at www.hatcocorp.com, select the *Resources* pull-down menu, and click on "Find Service Agent/Distributor"
- call Hatco Service at 414-671-6350
- e-mail Hatco Service at partsandservice@hatcocorp.com



metos
kitchen intelligence®