

# metos

## MIXER

Metos Bear

AR30, AR40-AR-40P, AR60-AR60P VL1

4143100, 4143102, 4143108, 4143110, 4143112, 4143114, 4143120, 4143122, 4143128, 4143130

---

## Operating instructions

---



## CONTENTS:

<b>GENERAL:</b> .....	2
<b>SAFETY:</b> .....	2
<b>INSTALLATION OF NEW MIXER:</b> .....	2
<b>CONSTRUCTION OF THE MIXER:</b> .....	3
<b>THE MAXIMUM CAPACITY OF THE MIXER:</b> .....	3
<b>RECOMMENDED MAXIMUM SPEEDS:</b> .....	3
<b>OPERATION OF THE MIXER:</b> .....	4
<b>START-UP AFTER STOP AT HIGH SPEED:</b> .....	4
<b>OVERLOAD:</b> .....	4
<b>CORRECT USE OF TOOLS:</b> .....	5
<b>CLEANING:</b> .....	5
<b>MAINTENANCE AND LUBRICATION:</b> .....	5
<b>GREASE TYPES:</b> .....	5
<b>LIST OF ERRORS AND POSSIBLE SOLUTIONS:</b> .....	6
<b>ERROR CODES:</b> .....	7
<b>ELECTRICAL DIAGRAMMES:</b> .....	8

### **OBS:**

The mixer is to be connected to power via a plug. The plug must be dimensioned for min. 16 A, 230/400V~, IP44

#### **When connecting;**

- 1 phase with 0 + earth, use 3 pole plug
- 2 phases + earth, use 3 pole plug
- 3 phases + earth, use 4 pole plug
- 3 phases with 0 + earth, use 5 pole plug

## GENERAL:

In case of complaints, please contact your supplier.

The guarantee does not cover faults resulting from faulty operation, overloading and lacking observance of directions of maintenance.

It should be checked that all loose parts are delivered with the mixer such as bowl, tools, grease gun and rubber feet

If the mixer has an attachment drive only equipment produced by **A/S WODSCHOW & CO.** must be connected.

## SAFETY:

The constant noise level of the workplace of the operator is lower then 70 dB (A)



*The mixer is designed for manufacture of products which do not during processing cause reactions or emit substances which may be detrimental to the user.*



*Putting your fingers in the bowl while the mixer is running may cause injuries.*

## INSTALLATION OF NEW MIXER:



*Never lift the mixer by the handle for speed adjustment or by the handle for bowl lift.*

### **Installation and securing:**

The mixer must be mounted with rubber feet, which neutralize both shaking and rusting. Spacers can be inserted under the mixer's feet, if the floor is not completely even.

The mixer is placed directly on the floor. Foundation bolts in the floor are only necessary under special conditions, e.g. on ships.

### **Connection to power:**

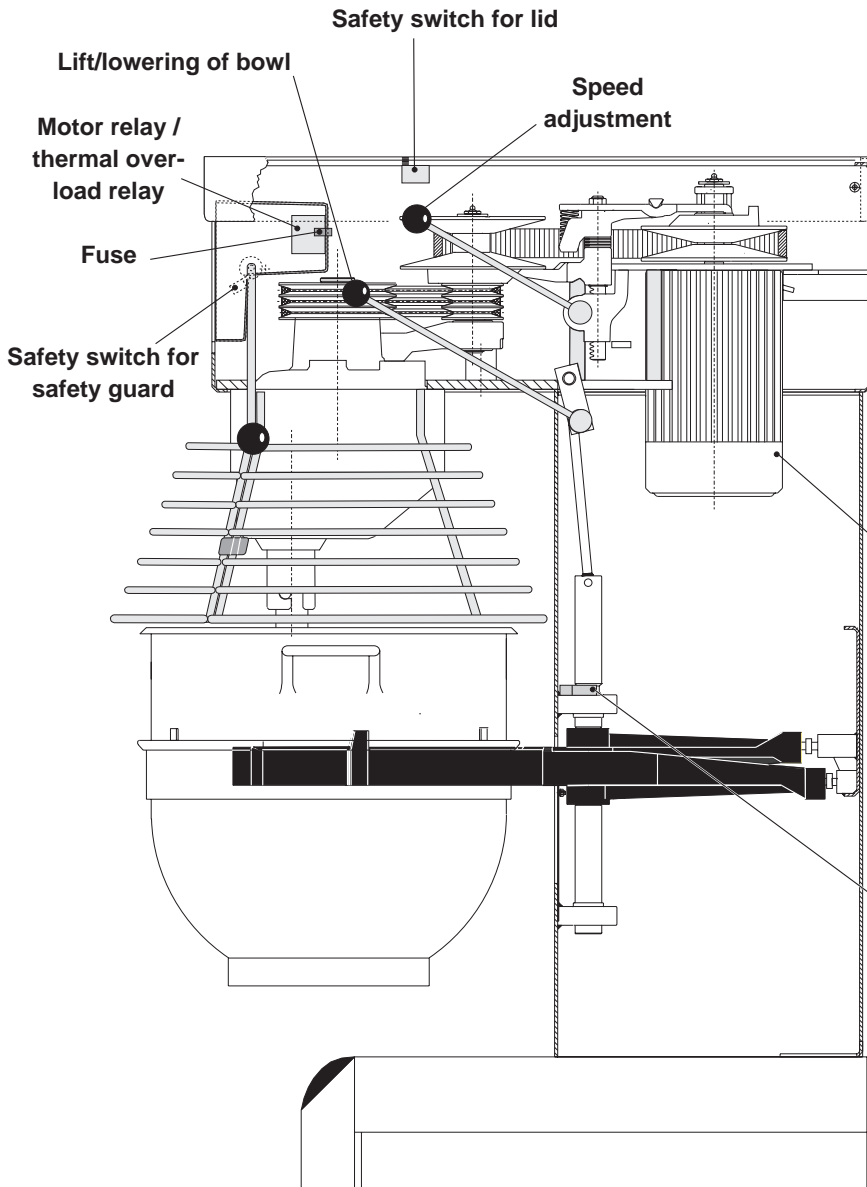
Before the mixer is connected to power, it should be checked that the voltage and frequency printed on the machine label is correct in relation to the place of installation. The machine label is placed at the top right side of the mixer.

### **Checking of the direction of rotation of the planetary head:**

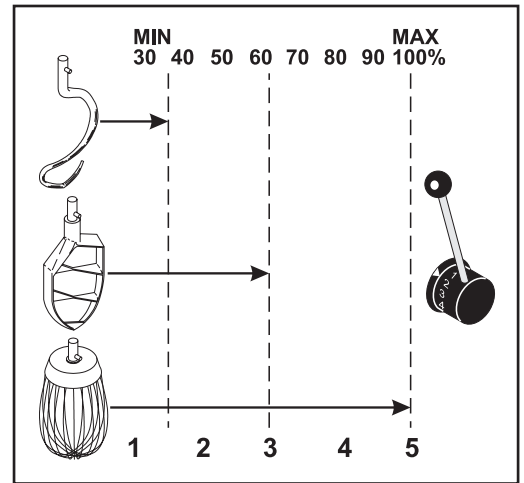


*Lift up the bowl arms to normal working position and start the mixer without bowl and tools. Check the direction of rotation of the planetary head: the planetary head must rotate in the direction as stated by the arrow above the planetary head. If the direction of rotation is wrong, 2 of the phase wires of the connecting cable must be inverted.*

**CONSTRUCTION OF THE MIXER:**



**RECOMMENDED MAXIMUM SPEEDS:**



Size of mixer	Motor
AR30	1,0 kw
AR40	1,1 kw
AR40P	1,85 kw
AR60	1,85 kw
AR60P	3,0 kw

**THE MAXIMUM CAPACITY OF THE MIXER:**

Capacities per mix	Tool	AR30	AR40	AR40P	AR60	AR60P
Egg white	Whip	3,5 L	6 L	6 L	9 L	9 L
Whipped cream	Whip	7,5 L	10 L	10 L	15 L	15 L
Mayonnaise *	Whip	24 L	32 L	32 L	48 L	48 L
Herb butter	Beater	17 kg	25 kg	25 kg	45 kg	45 kg
Mashed potatoes *	Beater / Whip	18 kg	23 kg	23 kg	36 kg	36 kg
Bread dough (50%AR) **	Hook	16 kg	22 kg	32 kg	34 kg	46 kg
Bread dough (60%AR)	Hook	22 kg	30 kg	34 kg	44 kg	56 kg
Ciabatta dough * (70%AR)	Hook	22 kg	30 kg	34 kg	40 kg	50 kg
Muffins *	Beater	18 kg	24 kg	24 kg	33 kg	33 kg
Layer cake base	Whip	7 kg	10 kg	10 kg	15 kg	15 kg
Meatball mix *	Beater	25 kg	30 kg	30 kg	45 kg	45 kg
Icing	Beater	20 kg	29 kg	29 kg	40 kg	40 kg
Doughnut (50%AR)	Hook	18 kg	25 kg	36 kg	36 kg	54 kg

**AR = Absorption Ratio (%AR)**  
(Liquid in % of solids)

Example: A basic recipe contains 1 kg of solids and 0,6 kg of liquid:

$$\text{This gives AR} = \frac{0,6 \text{ kgs} \times 100}{1 \text{ kg}} = 60\%$$

If for instance it is required to use the maximum capacity of the mixer, the calculated AR = 60% is used for determining the amount of solids and liquid in the dough:

If a 30 L mixer is used, and a dough with AR = 60% is to be kneaded, the maximum capacity is = 22 kg. Now the weight of solids in this dough is calculated:

$$\text{Solids} = \frac{\text{Max. capacity} \times 100}{\text{AR} + 100} = \frac{22 \text{ kg} \times 100}{60 + 100} = 13,75 \text{ kg}$$




$$\text{Weight of liquid} = 22 \text{ kg} - 13,75 \text{ kg} = 8,25 \text{ kg}$$

\* Scraper recommended

\*\* Low speed operation is recommended

Local variations in the characteristics of the ingredients can influence water absorption, volume and baking characteristics, etc.


## OPERATION OF THE MIXER:

- A) Open the safety guard and place the bowl in the bowl arms. **OBS:** The bowl arms must be in lowest position and the bowl must be pushed all the way into the bowl arms. The bowl's "centre ear" must be turned in towards the mixer (**fig.2 and fig.3**).
- B) Place the mixing tool in the bayonet shaft. The pin on the tool must be turned into the bayonet hole (**fig.2**).
- C) Raise the bowl to working position by turning the handle for bowl lift in the direction of the arrow (**fig.2**), ensure that the bowl is placed correctly. Close the safety guard.
- D) The mixing time can be set on the timer using the  and  buttons. The mixer stops automatically when the mixing time has run out. (If the mixer stops at high speed when the mixing time runs out, follow the instructions "Start-up after stop at high speed" before starting the mixer again).
- E) Start the mixer by pressing  (**fig.1**)
- F) Turn the speed selector lever (**fig. 4**) to the rear until the required speed has been obtained, (notice the recommended maximum speeds on page 3).




*The speed must be changed only when the mixer is running.*

*The mixer must not be started when loaded in high speed position.*

- G) Before the mixer is stopped, the speed selector lever must be moved back to lowest speed (**fig.4**).
- H) Stop the mixer by pressing  (**fig.1**)

## START-UP AFTER STOP AT HIGH SPEED:

This procedure is used in all cases where the mixer has been interrupted at high speed, either because the mixer has been stopped using , the mixing time has run out, the emergency stop is activated or the safety guard is opened:

- 1) Lower the bowl and remove the tool from the bayonet.
- 2) Raise the bowl arms, either empty or with the bowl.
- 3) Close the safety guard, start the mixer and move the speed selector lever back to lowest speed.
- 4) Switch off the mixer. Now the mixer can be started as usual.

## OVERLOAD:



*Do not overload the mixer. Sticky and heavy doughs can overload the mixer. Overloading is further exacerbated if the speed of the mixing tool is increased beyond the recommended values or if a wrong mixing tool is used. Large lumps of fat or cooled ingredients must be cut into small parts before they are placed in the bowl.*

*Longer time overload will interrupt the mixer.*



***OH** will be written in the mixer's display. After a short while the display will change back to normal mode and you can start the mixer again as described in "Start-up after stop at high speed".*

Fig. 1 Operation panel.

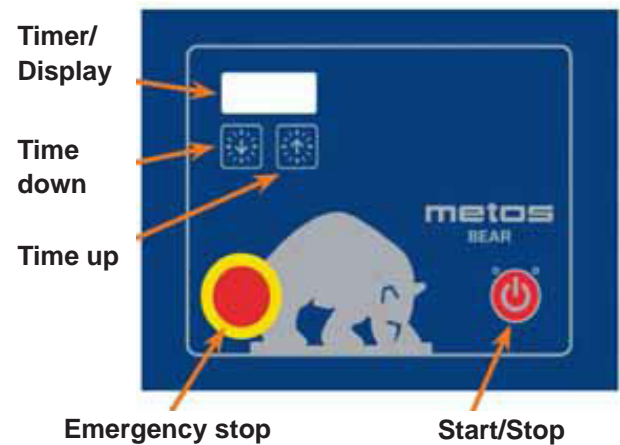


Fig. 2

Mixer with open safety guard, lowered bowl and mounted tool.

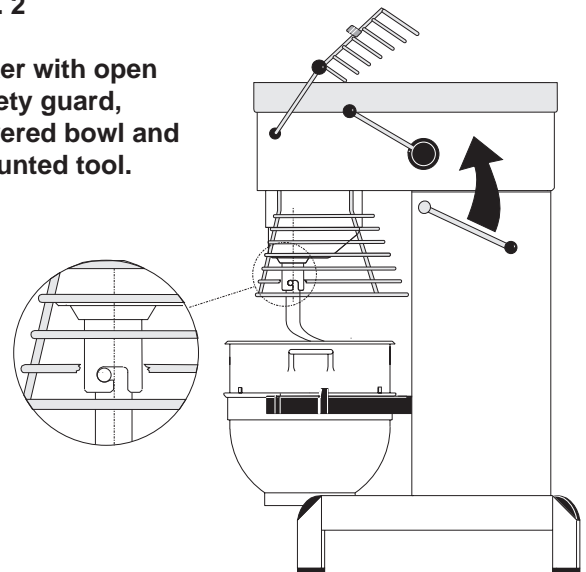


Fig. 3

Mixer seen from above, the bowl has been pushed all the way into the bowl arms. **Notice: the centre "ear" of the bowl is facing the mixer**

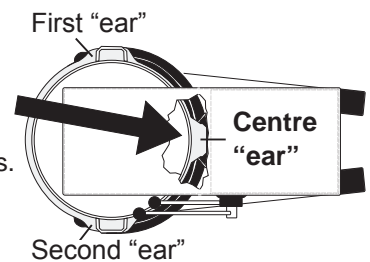
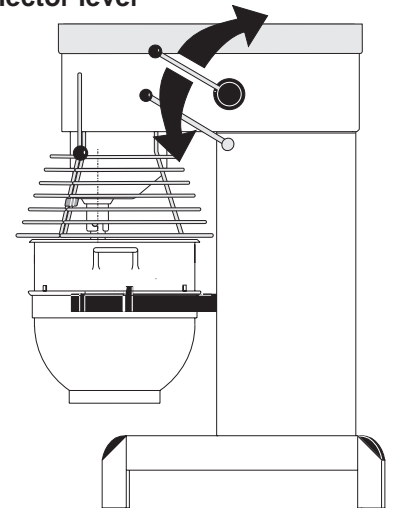


Fig. 4 Speed selector lever



## CORRECT USE OF TOOLS:



*The meat mincer must not be used for production of bread crumbs as this will cause unnecessary wear and tear on some mixer parts.*



*Whips should not be struck against hard objects as e.g. the edge of the bowl. This will make the life of the tool shorter due to increasing deformity.*

### Recommended applications for tools:

Whip	Beater	Hook
Cream	Cake dough	Bread dough
Egg whites	Butter cream	Dark bread
Mayonnaise and the like	Waffle dough	and the like
	Minced meat and the like	



*For production of mashed potatoes the special wing whip or the whip with thicker wires should be used, alternatively use the beater and the whip.*

## CLEANING:

The mixer should be cleaned daily or after use. The mixer should be cleaned with a soft cloth and clean water. Sulphonated soaps should be used with caution as they destroy the mixer's lubricants.



*Never use high pressure cleaning for the mixer.*

*Tools of aluminium must not be washed with strong alkaline detergents (pH between 5 and 8).*

The soap suppliers can recommend the correct type of soap.



*Please note that the plastic safety guard can be damaged if exposed to high temperatures for a considerable period. (Max. temperature 65°C)*

Cleaning of attachment drive: after use of the attachment drive this should be wiped inside with a soft cloth.

## MAINTENANCE AND LUBRICATION:

The infinitely variable gear must be lubricated regularly, i.e. a lubrication interval of approx. 60 hours of operation.

### Lubrication of infinitely variable gear:

**OBS.** Special grease !!(Use the grease gun delivered together with the mixer). Start the mixer and increase the speed to approx. 50%. Stop the mixer (use the emergency stop) and open the lid on the top of the mixer. On the top of each of the two pulley set shafts is a grease nipple (**fig. 5 point 1**). Press grease through the grease nipples

until the grease gun feels hard to press or until grease comes out between the shaft and the pulleys.



*The mixer must not be started until the screws which hold the lid are inserted.*

Start the mixer, and set the speed back to low speed.

Stop the mixer and fill the grease gun with new grease so that it is ready for next time.

### Lubrication of other movable parts:

The movable parts of the bowl arms, the shaft and the lifting rod must also be lubricated with oil. Remove the rear covering and lubricate the marked points with an oil can. (**fig.5 pkt.2**)

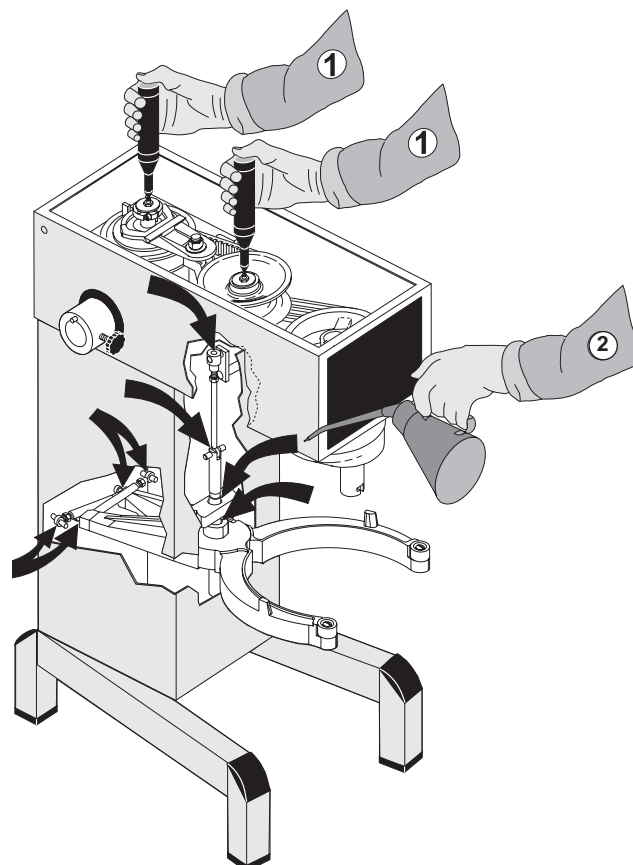
## GREASE TYPES:

Grease for the pulley set shafts: **Castrol LMX**.

On repair of the planetary head: Grease the toothed wheel and the toothed rim with **Molub Alloy 936SF Heavy** or **Castrol Grippa 355**, the needle bearings in the planetary head must not be lubricated with this type of grease. Do not use any another type of grease than the one stated here.

On repair of the attachment drive: Fill the attachment drive with 0.35 L **ESSO Fibrax EP 370**.

**fig.5 Greasing of infinitely variable gear and other movable parts:**



**LIST OF ERRORS:** In case of other errors, contact the supplier. **POSSIBLE SOLUTION:**

<i>A rattling sound from the closed part of the mixer.</i>	<i>Call service</i>
<i>The mixer starts "striking" when kneading dough which normally causes no problems.</i>	<i>Call service</i>
<i>The mixer changes its speed by itself.</i>	<i>Call service</i>
<i>The minimum and the maximum speeds are changing.</i>	<i>Call service</i>
<i>The bowl is too tight or too loose.</i>	<i>Call service</i>
<i>The tool hits the sides of the bowl.</i>	<i>Call service</i>
<i>The tool hits the bottom of the bowl.</i>	<i>Call service</i>



**Prior to a possible repair or adjustment, switch off the mixer by disconnecting the power cable.**

**ADJUSTMENT OF SPECIAL V-BELT:****ADJUSTMENT OF SPEED:****ADJUSTMENT OF BOWL FIXING:****ADJUSTMENT OF BOWL CENTERING:****ADJUSTMENT OF BOWL HEIGHT:**

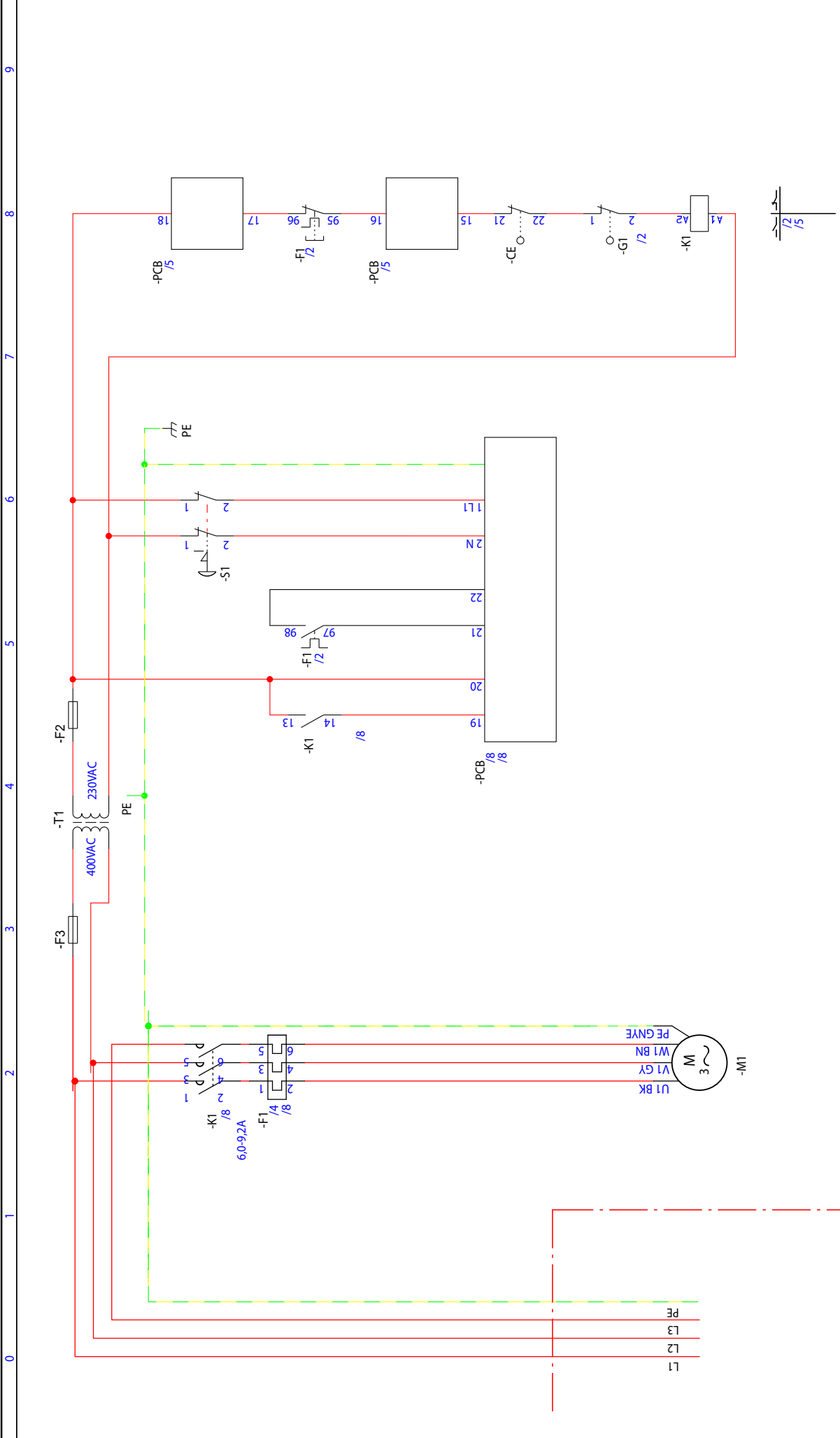
*All adjustments should be carried out by an authorized service person.*

**ERROR CODES:**

If the mixer is overloaded, the motor will stop and  will be shown for 'overheat' in the display.

- Allow the mixer to cool down.
- After a short time, the display will change to normal mode.
- The mixer can be started again. See also the section “**Start-up after stop at high speed**” on page 4.

# ELECTRICAL DIAGRAMMES:



0 1 2 3 4 5 6 7 8 9

<p><b>A/S WODSCHOW &amp; CO</b>          Industrisvingel 6          DK-2605 Broenby  <a href="http://www.beaervarmiker.dk">www.beaervarmiker.dk</a></p>	Project title: VL1, 3 x 380 - 480VAC + PE		Project rev.: 1
	Page title: Main Power		Page rev.: Previous page
	File name: VL1-3P-PE		Last printed: 10-06-2011
			Last corrected: 10-06-2011
		Number of pages: 1	



**Indhold af CE Overensstemmelseserklæring,** (Maskindirektivet, 2006/42/EC, Bilag II, del A)  
**Contents of the EC Declaration of conformity for machinery,** (Machinery Directive 2006/42/EC, Annex II., sub. A)  
**Inhalt der EG-Konformitätserklärung für Maschinen,** (Richtlinie 2006/42/EG, Anhang II, sub A)  
**Contenu de la Déclaration CE de conformité d'une machine,** (Directive Machine 2006/42/CE, Annexe II.A)  
**Inhoud van de EG-verklaring van overeenstemming voor machines,** (Richtlijn 2006/42/EC, Bijlage II, onder A)  
**Contenido de la declaración "CE" de conformidad sobre máquinas,** (Directiva 2006/42/EC, Anexo II, sub A)

DK  
GB  
DE  
FR  
NL  
ES

Fabrikant; Manufacturer; Hersteller; Fabricant; Fabrikant; Fabricante: A/S Wodschow & Co.  
 Adresse; Address; Adresse; Adresse; Adres; Dirección: Industrisvinget 6, DK-2605 Brøndby, Denmark

Navn og adresse på den person, som er bemyndiget til at udarbejde teknisk dossier:  
 Name and address of the person authorised to compile the technical file  
 Name und Anschrift der Person, die bevollmächtigt ist, die technischen Unterlagen zusammenzustellen  
 Nom et adresse de la personne autorisée à constituer le dossier technique  
 naam en adres van degene die gemachtigd is het technisch dossier samen te stellen  
 nombre y dirección de la persona facultada para elaborar el expediente técnico

Navn; Name; Name; Nom; Naam; Nombre: Kim Jensen  
 Adresse; Address; Adresse; Adresse; Adres; Dirección: Industrisvinget 6, DK-2605 Brøndby, Denmark  
 Sted, dato; Place, date; Ort, Datum; Lieu, date ; Plaats, datum ; Place, Fecha: Brøndby, 15-12-2009

Erklærer hermed at denne røremaskine  
 Herewith we declare that this planetary mixer  
 Erklärt hiermit, dass diese Rührmaschine  
 Déclare que le batteur-mélangeur ci-dessous  
 Verklaart hiermede dat Menger  
 Declaramos que el producto batidora

- er i overensstemmelse med relevante bestemmelser i Maskindirektivet (Direktiv 2006/42/EC)  
 is in conformity with the relevant provisions of the Machinery Directive (2006/42/EC)  
 konform ist mit den Bestimmungen der EG-Maschinenrichtlinie (Direktiv 2006/42/EG)  
 Satisfait à l'ensemble des dispositions pertinentes de la Directive Machines (2006/42/CE)  
 voldoet aan de bepalingen van de Machinerichtlijn (Richtlijn 2006/42/EC)  
 corresponde a las exigencias básicas de la Directiva sobre Máquinas (Directiva 2006/42/EC)
- er i overensstemmelse med følgende andre CE-direktiver  
 is in conformity with the provisions of the following other EC-Directives  
 konform ist mit den Bestimmungen folgender weiterer EG-Richtlinien  
 Est conforme aux dispositions des Directives Européennes suivantes  
 voldoet aan de bepalingen van de volgende andere EG-richtlijnen  
 está en conformidad con las exigencias de las siguientes directivas de la CE

2004/108/EC

Endvidere erklæres det  
 And furthermore, we declare that  
 Und dass  
 Et déclare par ailleurs que  
 En dat  
 Además declaramos que

- at de følgende (dele af) harmoniserede standarder, er blevet anvendt  
 the following (parts/clauses of) European harmonised standards have been used  
 folgende harmonisierte Normen (oder Teile/Klauseln hieraus) zur Anwendung gelangten  
 Les (parties/articles des) normes européennes harmonisées suivantes ont été utilisées  
 de volgende (onderdelen/bepalingen van) geharmoniseerde normen/nationale normen zijn toegepast  
 las siguientes normas armonizadas y normas nacionales (o partes de ellas) fueron aplicadas

EN454:2000 ; EN60204-1:2006; EN12100-1:2005  
 EN12100-2:2005; EN61000-6-1:2007; EN61000-6-3:2007

**Innehåll i EG-försäkran om maskinens överensstämmelse.** (Maskindirektivet 2006/42/EG, bilaga 2, A)  
**Contenuto della dichiarazione CE di conformità per macchine.** (Direttiva 2006/42/CE, Allegato II, parte A)  
**Sisukord EÜ masina vastavusdeklaratsioon.** (Masinadirektiiv 2006/42/EÜ, lisa II, punkt A)  
**Treść Deklaracja zgodności WE dla maszyn** (Dyrektywa maszynowa 2006/42/WE, Załącznik II, pkt A)  
**Sisältö EY-vaatimustenmukaisuusvakuutus koneesta** (Konedirektiivi 2006/42/EY, Liite II A)

SE  
IT  
EE  
PL  
FI

Tillverkare; Fabbricante; Tootja; Producent; Valmistaja:

A/S Wodschow & Co.

Adress; Indirizzo; Aadress; Adres; Osoite:

Industrisvinget 6, DK-2605 Brøndby, Denmark

Namn och adress till den person som är behörig att ställa samman den tekniska dokumentationen:

Nome e indirizzo della persona autorizzata a costituire il fascicolo tecnico

Tehnilise kausta volitatud koostaja nimi ja aadress

Imię i nazwisko oraz adres osoby upoważnionej do przygotowania dokumentacji technicznej

Henkilön nimi ja osoite, joka on valtuutettu kokoamaan teknisen tiedoston

Namn; Nome e cognome; Nimi; Imię i nazwisko; Nimi:

Kim Jensen

Adress; Indirizzo; Aadress; Adres; Osoite:

Industrisvinget 6, DK-2605 Brøndby, Denmark

Ort och datum; Luogo e data; Koht, kuupäev; Miejscowość, data; Paikka, aika:

Brøndby, 15-12-2009

Försäkrar härmed att denna blandningsmaskin

Con la presente si dichiara che questo mixer planetaria

Deklareerime käesolevaga, et Planetaarmikseri

Niniejszym oświadczamy, że mikser planetarny

vakuuttaa, että tämä mikseri tyyppi

- överensstämmer med tillämpliga bestämmelser i maskindirektivet (2006/42/EG) is è conforme alle disposizioni della Direttiva Macchine (Direttiva 2006/42/CE) vastab kehtivatele masinadirektiivi (2006/42/EÜ) nõuetele spełnia wymagania odpowiednich przepisów dyrektywy maszynowej (2006/42/WE) on konedirektiivin (2006/42/EY) asiaankuuluvien säännösten mukainen
- överensstämmer med bestämmelser i följande andra EG-direktiv è conforme alle disposizioni delle seguenti altre direttive CE vastab järgmiste EÜ direktiivide nõuetele spełnia wymagania przepisów innych dyrektyw WE on seuraavien muiden EY-direktiivien säännösten mukainen

2004/108/EC

Vi försäkrar dessutom att

e che

Lisaks ülaltoodule deklareerime, et

Ponadto oświadczamy, że

ja lisäksi vakuuttaa, että

- följande (delar/paragrafer av) europeiska harmoniserade standarder har använts sono state applicate le seguenti (parti/clausole di) norme armonizzate kasutatud on järgmisi Euroopa harmoniseeritud standardeid (või nende osi/nõudeid) zastosowano następujące części/klauzule zharmonizowanych norm europejskich seuraavia eurooppalaisia yhdenmukaistettuja standardeja (tai niiden osia/kohtia) on sovellettu

EN454:2000 ; EN60204-1:2006; EN12100-1:2005

EN12100-2:2005; EN61000-6-1:2007; EN61000-6-3:2007



**metos**  
kitchen intelligence<sup>®</sup>