

# metos

## ELECTRIC BAIN-MARIE

OBME 40M

OBME 60M

## CHIPS SCUTTLE

OBSEI 40M

---

### Installation and Operation Manual

---



**INDEX**

**INSTALLATION INSTRUCTIONS** ----- page --- 11

    WARNINGS ----- page --- 11

    INSTALLATION ----- page --- 11

*Positioning*

*Assembly*

*In line union of the appliances*

*Electrical connection*

*Earth and unipotential connections*

*Important information specifically relating to appliances in the DROP-IN series*

*Connection to water piping*

    START-UP ----- page --- 11

*Function check*

*Nominal heat input check*

    ANALYSIS OF SEVERAL FAILURES ----- page --- 11

*Heating elements do not heat up*

*Difficult or lacking temperature adjustment*

    REPLACEMENT OF PARTS SUBJECT TO CHANGE ----- page --- 11

*Heating elements*

*Temperature regulation thermostat*

**USE AND MAINTENANCE** ----- page --- 12

    WARNINGS ----- page --- 12

*Safety devices*

    USE ----- page --- 12

*Filling of well*

*Operation*

*Switching off heating*

*Well drainage (Mod. OBME...)*

*Emptying of container (Mod. OBSEI-40M)*

    CLEANING AND MAINTENANCE ----- page --- 12

    LIST OF PARTS SUBJECT TO CHANGE ----- page --- 12

## INSTALLATION INSTRUCTIONS

### WARNINGS

*Installation, adjustments and maintenance of the appliances must be done by authorized installers, in accordance with the safety standards in force.*

***The manufacturer declines any responsibility if such obligation is not observed.***

**NOTE:** Appliances are in accordance with the EEC Directive 89/336 on the electromagnetic compatibility.

### INSTALLATION

#### *Positioning*

- The overall/connection dimensions and the technical data are stated in the pages in the appendix.
- Install the appliances only in sufficiently aired rooms.
- Position appliances at least 10 cm from the nearby walls. Such distance can be less when the walls are incombustible or protected by a thermal insulator.
- The appliances are not suitable for built-in installation.

#### *Assembly*

- Remove the film which protects the external panels. Any glue remaining on these is to be removed with a suitable solvent.
- Assemble the spacer (if foreseen) by following the instructions enclosed with the spacer itself.

#### *In line union of the appliances*

- Put the appliances next to each other and level them at the same height.
- Unite the appliances using the special union joint-coverings supplied upon request.

#### *Electrical connections*

- Appliances are designed to operate at the voltage indicated on the rating plate.
- Each appliance must be connected to an independent mains supply of suitable capacity (total power indicated in "Technical data" table) via an input terminal board with flexible rubber cable, insulated at a level not below H07RN-F.
- Make sure that the cables length allows for the live wires to disconnect from terminal block before the yellow/green ground wire, in case of simultaneous pull.
- Automatic cutout omnipolar switches of suitable capacity (with contacts opening to at least 3 mm) and highly sensitive automatic differential protective devices must be fitted. These must ensure that there is no direct or indirect contact between live components and fault currents and the ground, in accordance with current regulations (maximum admissible leakage current 1 mA/kW).

#### *Earth and unipotential connections*

- Appliances must be earthed on terminals marked with the symbol  $\perp$ .
- Connect the metallic structure of every electrical appliance installed to the terminals, marked by the symbol  $\nabla$  (unipotential system).

#### *Important information specifically relating to appliances in the DROP-IN series*

- The appliance must be installed in strict compliance with the directions given in the attached drawings.
- Appliances should only be installed on units made of metal (and not wood and/or other flammable materials).
- Take particular care with the power lead: the channelways must be perfectly smooth with no sharp corners and/or edges. The lead must not, at any point, be subjected to temperatures of more than 50°C above normal room temperature.

#### *Connection to the water piping*

- Manual waterfilling, therefore no connection to water piping is required.

### START-UP

#### *Function check electrical system*

- Start-up the appliance following the instructions given; check function regularity and make sure that the controls and heating elements are in good working order, testing them with the various function positions.

#### *Nominal heat input check*

- After installation and at each maintenance intervention check the heat input of the appliance.
- The nominal heat input is stated in the "Technical data" table.
- The appliance operates at the nominal heat input when the electrical power is the one stated in Table T1.

**ATTENTION** If the power supply value is not within the limits indicated in Table T1, interrupt the operation of the appliance and contact the electricity delivery body.

### ANALYSIS OF SEVERAL FAILURES

#### *Heating elements do not heat up*

- Check fuse valves
- Main switch off
- Insufficient power or wrong electrical connection
- Regulation thermostat faulty

#### *Difficult or lacking temperature adjustment*

- Thermostat faulty
- Wrong connection or elements faulty

### REPLACEMENT OF PARTS SUBJECT TO CHANGE

**IMPORTANT** Before carrying out repairs, unplug appliance from mains disconnecting the main switch.

**Sealed components must not be tampered with.** To reach electrical components, i.e. controls and safety devices, remove control panel.

#### Heating elements


- Pull out the control knobs and remove control panel (on mod. OBSEI-40M remove also container).
- Disconnect the faulty heating element, remove and replace it. Have care to fit in right position the fixing flange seal (better replace it).

#### Temperature regulation thermostat

- Pull out the control knobs. Remove the front control panel. Remove the thermostat and disconnect it. Extract the bulb (thermostat) from its seat. Change the faulty component.

## USE AND MAINTENANCE

### WARNINGS

**Caution , appliance with hot surfaces!**   
**IMPORTANT: Never start appliance with an empty well.**

*The appliance is for professional use and must be used by trained personnel. It is for the heating (or cooking) of food. Any other use of the appliance is considered improper.*

*The installation and adaptation to other voltage must be done by qualified and authorized installers. In case of breakdown disconnect the main switch. Sealed components must not be tampered with.*

*For repairs consult only authorized service centres and ask for original spare parts only.*

**The manufacturer declines any responsibility if such obligations are not observed.**

*Carefully read this booklet and keep it in a safe place. Before using the appliance carefully clean all the surfaces that will come in contact with food.*

#### Safety devices

Each appliance is provided with:

- Safety water drainage tap against accidental openings during work (Mod. OBME 40M, 60M)

### USE

#### Filling of well

- Close the water drainage tap on the control panel.
- Fill-up the well with clear water till the level sign
- **Don't start heating with an empty bain-marie well.**
- **Attention!** Mod. OBSEI40M works without water. Foods are heated directly in the removable container supplied with the appliance.

#### Operation

To switch on heating of well (pilot lamp on) progressively turn the temperature regulator knob on the desired working position (for example 90°C).

**0** - off

**30 °C** - minimum temperature  
**50÷70 °C** - intermediate temperatures

**90 °C** - maximum temperature

#### Switching off heating

- Turn temperature regulator knob on position **0** (pilot lamp off).

#### Well drainage (mod. OBME 40M, 60M)

- Insert the drain pipe extension with bayonet clutch on pipe union located on front panel. Open the well drainage tap (press the tap command lever downwards and at the same time pull it forward).

*Important:* The container used for well drainage must be large enough and of heat resistant material.

#### Emptying of container

(mod. OBSEI 40M)

**Caution , appliance with hot surfaces!** 

- Switch-off heating.
- Take off container from appliance.
- To do this follow this indications:  
**protect hands from heat** (for example using suitable gloves);  
**protect body from accidental hot sprinkles** during lifting, transport and emptying of container.
- The container where hot foods are emptied must be large enough and of heat resistant material.

### CLEANING AND MAINTENANCE

- Before any cleaning operation disconnect the electrical supply (if present).
- It is necessary to avoid rusty water being in contact with stainless steel surfaces. Therefore before filling wells with water open water tap and let water flow until it is perfectly clear.
- Clean stainless steel surfaces daily with water and non abrasive common detergents, rinse well and dry thoroughly.
- Do not use iron scouring pads or chlorate products.
- Do not use sharp objects which can scratch and ruin the steel surface.
- Do not use corrosive products to clean the floor under the appliance.
- Do not wash the appliance with water jets.
- **Do not plunge appliance in water.**
- Before a long period of inactivity disconnect the main switch. Proceed to its thorough cleaning.
- At least twice a year, ask for the intervention of an authorized technician authorized for checking the appliance. It is advisable in any case to stipulate a maintenance contract.

### LIST OF PARTS SUBJECT TO REPLACEMENT

- Temperature regulator
- Knob for temperature regulator
- Heating element
- Pilot lamp
- Water drainage tap (if present)
- Switch



TKNISET TIEDOT - TEKNISKA DATA - TECHNICAL DATA

T1

MOD.	kW <sup>○</sup>	V	A	H 07 RN-F	Ø MIN MAX mm	V	A	H 07 RN-F	Ø MIN MAX mm
OBME-40M	2	-	-	-	-	AC 230V	8,7	3 x 1	9 ÷ 14
OBME-60M	3	-	-	-	-	AC 230V	13	3 x 1,5	9 ÷ 14
OBSEI-40M	2	-	-	-	-	1C 230V	8,7	3 X 1	9 ÷ 14

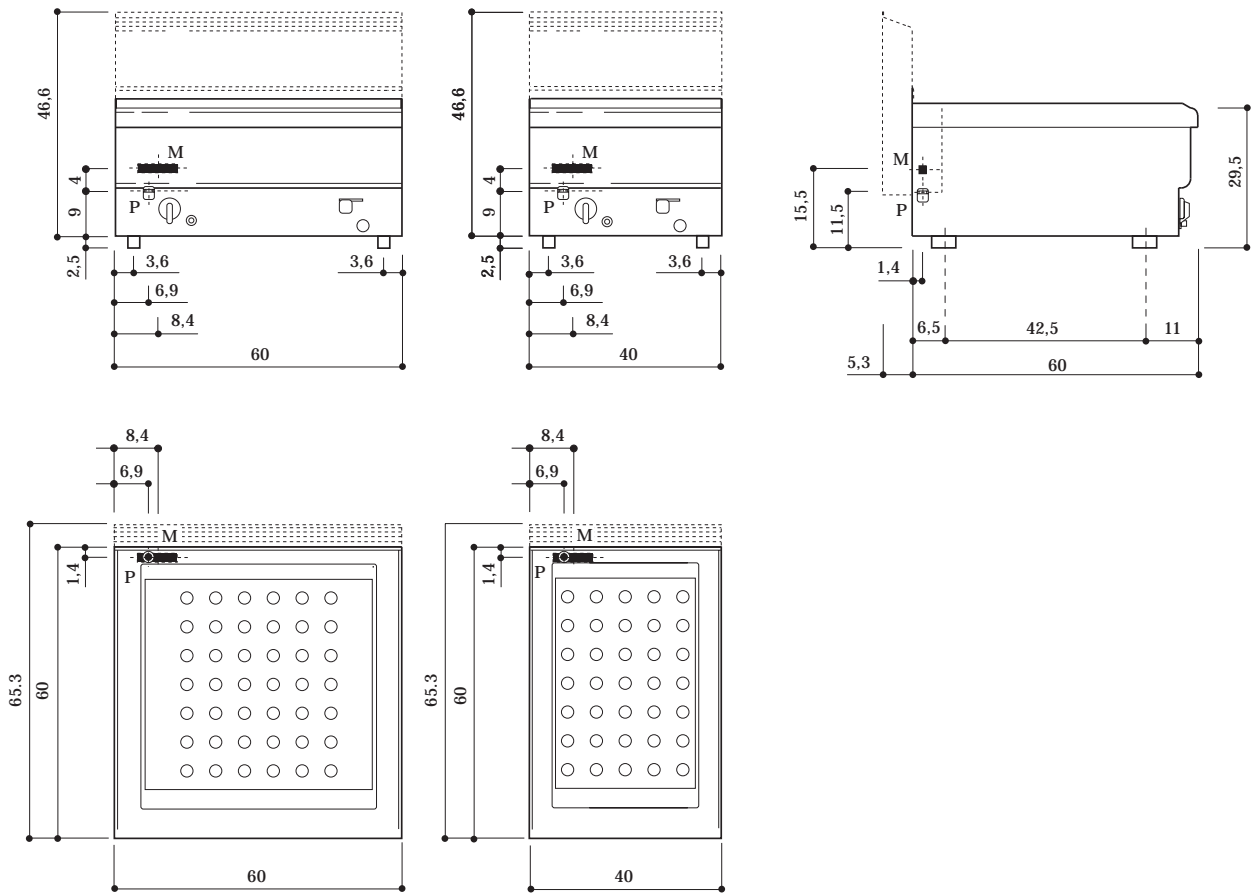
○ Kokonaisteho - Totaleffekt - Total power

# ASENNUSKUVA - INSTALLATIONSBLD - INSTALLATION DIAGRAM

(Mitat cm - Mått cm - Measurements cm)

OBME-60M

OBME-40M



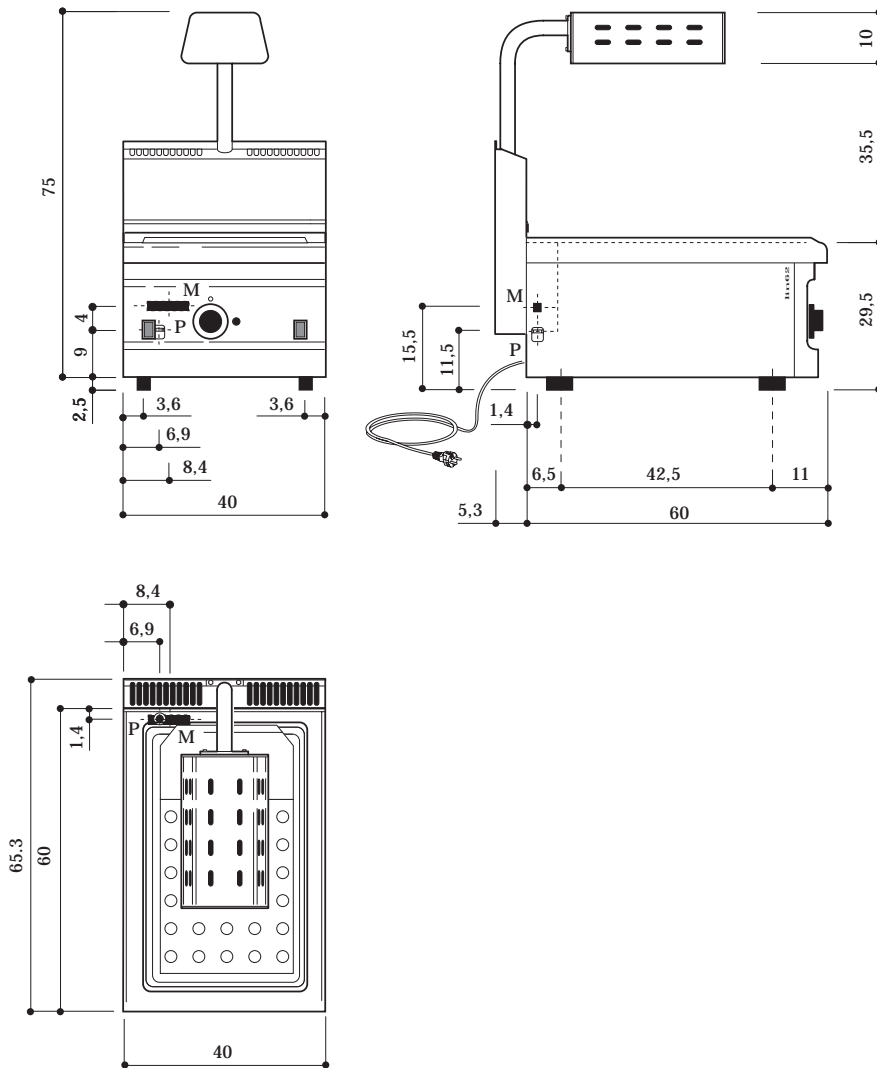
**M** Verkkoliitin - Nätanslutning - El. power connection blocks

**P** Sähkökaapelin vedonpoisto - Dragavlastare - Electric cable stress relief

# ASENNUSKUVA - INSTALLATIONSBILD - INSTALLATION DIAGRAM

(Mitat cm - Mått cm - Measurements cm)

OBSEI-40M

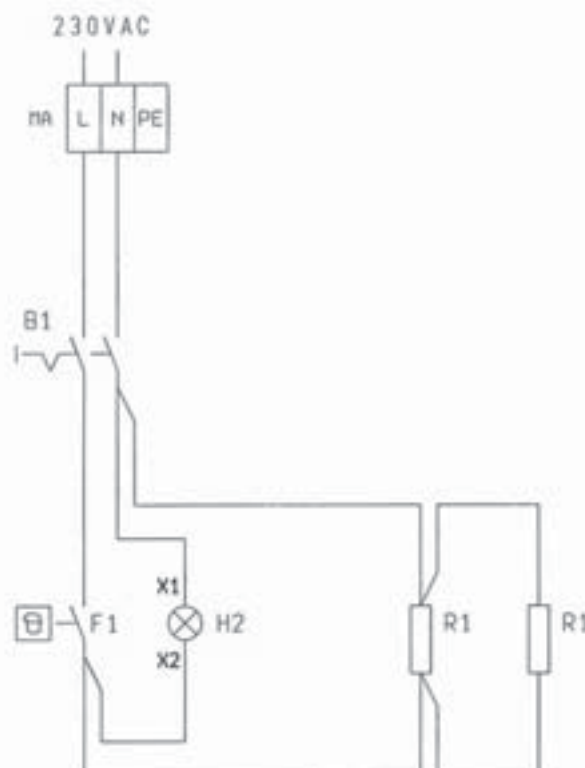


**M** Verkkoliitin - Nätanslutning - El. power connection blocks

**P** Sähkökaapelin vedonpoisto - Dragavlastare - Electric cable stress relief



DESCRIZIONE MODIFICA	DATA	FIRMA	MOD	DESCRIZIONE MODIFICA	DATA	FIRMA	MOD
DISIGNATO DA NARDINI							
APPROVATO DA							



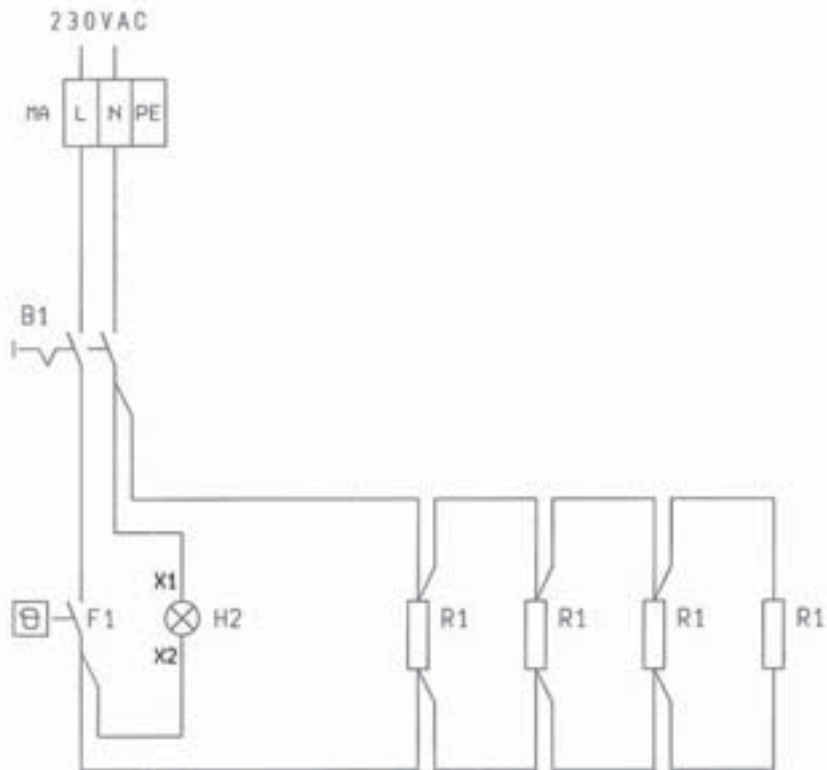
B1	INTERRUTTORE	INTERRUPTEUR	CUT-OFF SWITCH	KYTKIN
F1	TERNOSTATO DI LAVORO	THERMOSTAT	THERMOSTAT	TERMOSTAATTI
H2	SPIA ARANCIO	LAMPE ORANGE	ORANGE PILOTLIGHT	ORANSSI MERKKILAMPPU
MA	MORSETTIERA ARRIVO LINEA	BORNES ARRIVEE LIGNE	TERMINAL BLOCK	VERKKOLIITIN
R1	RESISTENZA	RESISTANCE	HEATING ELEMENT	LÄMMITYSVASTUS

POTENZA TOTALE-PUISSANCE TOTALE  
HEAT INPUT-ANSCHLUSSWERT

1.5 KW	230 VAC	1N	8.5 A
	XX VAC	XX	XX A
	XX VAC	XX	XX A

50-60Hz

DISGNATO DA NARDINI	MOD	FIRMA	DATA	DESCRIZIONE MODIFICA
APPROVATO DA	MOD	FIRMA	DATA	DESCRIZIONE MODIFICA



B1	INTERRUTTORE	INTERRUPTEUR	CUT-OFF SWITCH	KYTKIN
F1	TERMOSTATO DI LAVORO	THERMOSTAT	THERMOSTAT	TERMOSTAATTI
H2	SPIA ARANCIO	LAMPE ORANGE	ORANGE PILOTLIGHT	ORANSSI MERKKILAMPPU
MA	MORSETTIERA ARRIVO LINEA	BORNES ARRIVEE LIGNE	TERMINAL BLOCK	VERKKOLIITIN
R1	RESISTENZA	RESISTANCE	HEATING ELEMENT	LÄMMITYSVASTUS

POTENZA TOTALE-PUISSANCE TOTALE 3 0 KW 230 VAC 1N 13 A  
 HEAT INPUT-ANSCHLUSSWERT XX VAC XX XX A 50-60Hz  
 XX VAC XX XX A

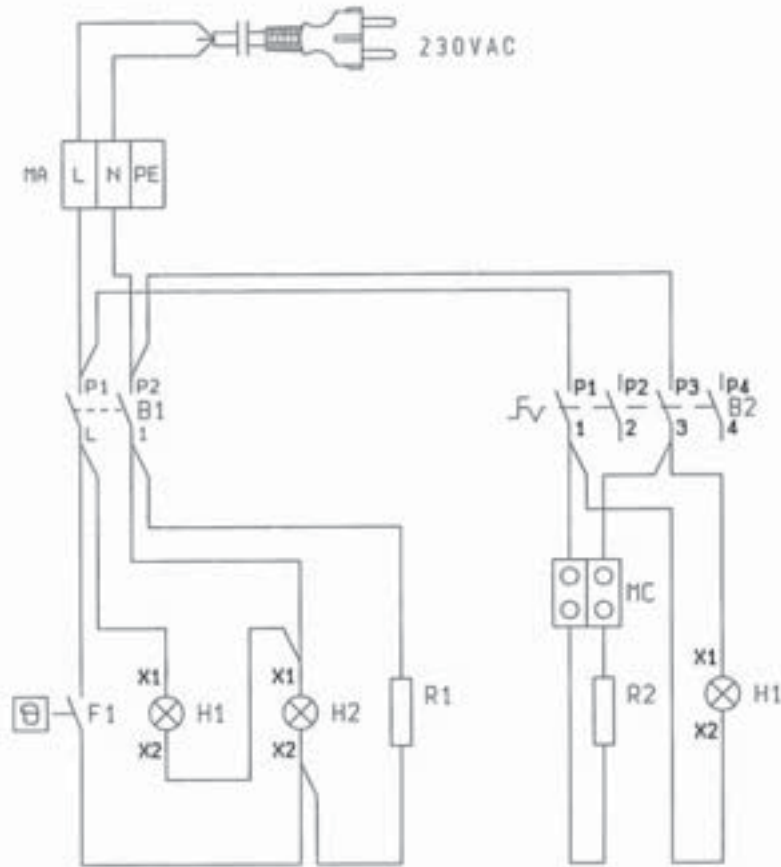
DIS.N. 1049125000

DATA 13-07-2000

OBSEI 40M

MOD. BSEI 40M

DESCRIZIONE MODIFICA	DATA	FIRMA	MOD.
DESCRIZIONE MODIFICA	DATA	FIRMA	MOD.
MOD. COLLEGAMENTO B1-L E F1	14 09 00	NARDINI	-
AGGIUNTO MODELLO DL15	20 12 05	NARDINI	-
DISIGNATO DA	DATA	FIRMA	MOD.
NARDINI	14 09 00	NARDINI	-
APPROVATO DA	DATA	FIRMA	MOD.
-	20 12 05	NARDINI	-



B1-B2	INTERRUTTORE	INTERRUPTEUR	CUT-OFF SWITCH	KYTKIN
F1	TERMOSTATO DI LAVORO	THERMOSTAT	THERMOSTAT	TERMOSTAATTI
H1	SPIA VERDE	LAMPE VERT	GREEN PILOTLIGHT	VIHREÄ MERKKILAMPPU
H2	SPIA ARANCIO	LAMPE ORANGE	ORANGE PILOTLIGHT	ORANSSI MERKKILAMPPU
MA	MORSETTIERA ARRIVO LINEA	BORNES ARRIVEE LIGNE	TERMINAL BLOCK	VERKKOLIITIN
MC	MORSETTIERA DERIVAZIONE	BLOC DE DERIVATION	TERMINAL BLOCK	VERKKOLIITIN
R1-R2	RESISTENZA	RESISTANCE	HEATING ELEMENT	LÄMMITYSVASTUS

POTENZA TOTALE-PUISSANCE TOTALE  
HEAT INPUT-ANSCHLUSSWERT

230 VAC 1N 8 7 A  
2 KW XX VAC XX XX A 50-60Hz  
XX VAC XX XX A