

# metos

## ELECTRIC RANGE

OPCE 40

OPCE 60

---

### Installation and Operation Manual

---



**INDEX**

**INSTALLATION INSTRUCTIONS** ----- page --- 9

    WARNINGS ----- page --- 9

    INSTALLATION ----- page --- 9

*Positioning*

*Assembly*

*In line union of the appliances*

*Electrical connection*

*Earth and unipotential connections*

*Important information specifically relating to appliances in the DROP-IN series*

    START-UP ----- page --- 9

*Function check*

*Nominal heat input check*

    ANALYSIS OF SEVERAL FAILURES ----- page --- 9

*Hot plate do not heat up*

    REPLACEMENT OF PARTS SUBJECT TO CHANGE ----- page --- 10

*Hot plate*

*Hot plate change-over switch*

**USE AND MAINTENANCE** ----- page --- 10

    WARNINGS ----- page --- 10

    USE ----- page --- 10

*Hot plates*

*Switching off heating*

    CLEANING AND MAINTENANCE ----- page --- 10

    LIST OF PARTS SUBJECT TO CHANGE ----- page --- 10

**APPENDIX** ----- page --- 20

## INSTALLATION INSTRUCTIONS

### WARNINGS

*Installation, adjustments and maintenance of the appliances must be done by authorized installers, in accordance with the safety standards in force.*

***The manufacturer declines any responsibility if such obligation is not observed.***

### INSTALLATION

#### *Positioning*

- The overall/connection dimensions and the technical data are stated in the pages in the appendix.
- Install the appliances only in sufficiently aired rooms.
- Position appliances at least 5 cm from the nearby walls.
- The appliances are not suitable for built-in installation.

#### *Assembly*

- Remove the film which protects the external panels. Any glue remaining on these is to be removed with a suitable solvent.
- Assemble the spacer (if foreseen) by following the instructions enclosed with the spacer itself.

#### *In line union of the appliances*

- Put the appliances next to each other and level them at the same height.
- Unite the appliances using the special union joint-coverings supplied upon request.

#### *Electrical connections*

- Appliances are designed to operate at the voltage indicated on the rating plate.
- Each appliance must be connected to an independent mains supply of suitable capacity (total power indicated in “Technical data” table) via an input terminal board with flexible rubber cable, insulated at a level not below H07RN-F.
- Make sure that the cables length allows for the live wires to disconnect from terminal block before the yellow/green ground wire, in case of simultaneous pull.
- Automatic cutout omnipolar switches of suitable capacity (with contacts opening to at least 3 mm) and highly sensitive automatic differential protective devices must be fitted. These must ensure that there is no direct or indirect contact between live components and fault currents and the ground, in accordance with current regulations (maximum admissible leakage current 1 mA/kW).

#### *Earth and unipotential connections*

- Appliances must be earthed on terminals marked with the symbol  $\perp$ .
- Connect the metallic structure of every electrical

appliance installed to the terminals, marked by the symbol  $\nabla$  (unipotential system).

#### *Important information specifically relating to appliances in the DROP-IN series*

- The appliance must be installed in strict compliance with the directions given in the attached drawings.
- Appliances should only be installed on units made of metal (and not wood and/or other flammable materials).
- Take particular care with the power lead: the channelways must be perfectly smooth with no sharp corners and/or edges. The lead must not, at any point, be subjected to temperatures of more than 50°C above normal room temperature.

### START-UP

#### *Function check electrical system*

- Start-up the appliance following the instructions given; check function regularity and make sure that the controls and heating elements are in good working order, testing them with the various function positions.
- Each heating plate is equipped, further to the working thermostat, with a temperature limiter with automatic reset which cuts off the electrical supply of the heating plate in case of overheating.
- The plate resets automatically after the temperature of the plate has cooled down.

#### *Nominal heat input check*

- After installation and at each maintenance intervention check the heat input of the appliance.
- The nominal heat input is stated in the “Technical data” table.
- The appliance operates at the nominal heat input when the electrical power is the one stated in Table T1.

### ATTENTION

If the power supply value is not within the limits indicated in Table T1, interrupt the operation of the appliance and contact the electricity delivery body.

### ANALYSIS OF SEVERAL FAILURES

#### *Hot plate do not heat up*

- Check fuse valves
- Main switch off
- Insufficient power or wrong electrical connection
- Change-over switch faulty
- Hot plate faulty or wrong connecting
- Temperature regulator cut off activated or faulty.

### REPLACEMENT OF PARTS SUBJECT TO CHANGE

### **IMPORTANT**

Before carrying out repairs, unplug appliance from mains disconnecting the main switch.

**Sealed components must not be tampered with.**

To reach electrical components remove control panel.

*Hot plates*

- Remove control panel, remove the fixing protection underneath the faulty plate and replace it.

*Change-over switch*

- Remove control panel and change the faulty component.

- Do not use sharp objects which can scratch and ruin the steel surface.
- Do not use corrosive products to clean the floor under the appliance.
- Do not wash the appliance with water jets.
- Before a long period of inactivity disconnect the main switch. Proceed to its thorough cleaning.
- At least twice a year, ask for the intervention of an authorized technician authorized for checking the appliance. It is advisable in any case to stipulate a maintenance contract.

**USE AND MAINTENANCE**

WARNINGS

**Caution , appliance with hot surfaces!**



*The appliance is for professional use and must be used by trained personnel. It is for the cooking of food. Any other use of the appliance is considered improper.*

*The installation and adaptation to other voltage must be done by qualified and authorized installers.*

*In case of breakdown disconnect the main switch.*

*Sealed components must not be tampered with.*

*For repairs consult only authorized service centres and ask for original spare parts only.*

***The manufacturer declines any responsibility if such obligations are not observed.***

*Carefully read this booklet and keep it in a safe place.*

*Before using the appliance carefully clean all the surfaces that will come in contact with food.*

USE

*Hot plates*

**NOTE** Only use pans with flat bottom.

The change-over switch has the following settings:

- 0** off
- 1** minimum temperature
- 2 ÷ 5** intermediate temperatures
- 6** maximum temperature

To switch on heating of hot plates (pilot lamp on) turn the change-over switch knob on the desired working position.

*Switching off heating*

- Turn change-over switch knob on position **0** (pilot lamp off).

CLEANING AND MAINTENANCE

- Before any cleaning operation disconnect the electrical supply (if present).
- Clean stainless steel surfaces daily with water and non abrasive common detergents, rinse well and dry thoroughly.
- Do not use iron scouring pads or chlorate products.

LIST OF PARTS SUBJECT TO REPLACEMENT

- Change-over switch
- Knob for change-over switch
- Hot plates
- Pilot lamp



**TEKNISET TIEDOT - TEKNISKA DATA - TECHNICAL DATA**

**T1**

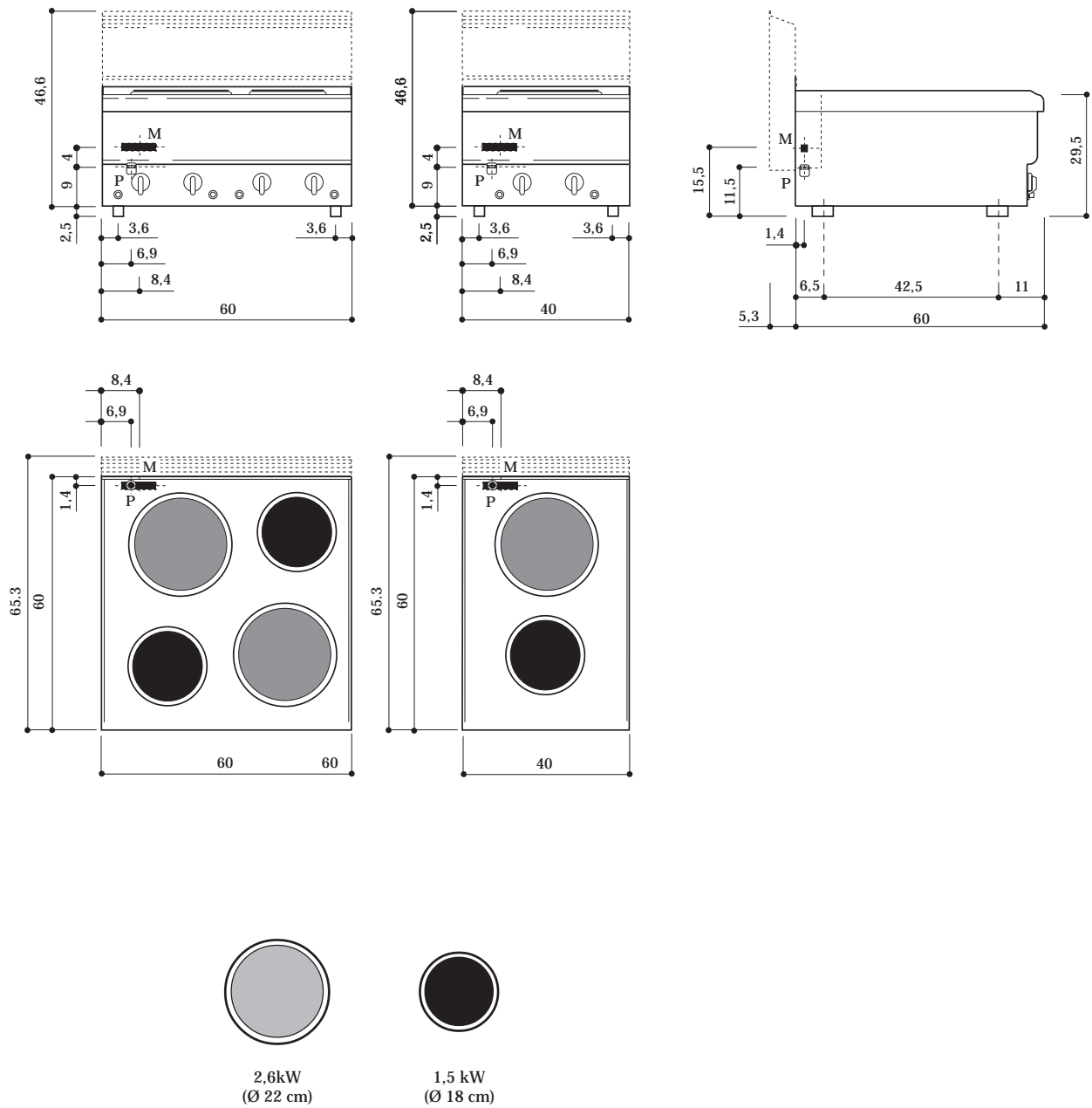
MOD.	kW ○	V	A	H 07 RN-F	Ø MIN MAX mm
OPCE-40	4,1	2NAC 400V	11,3	5 x 1	12 ÷ 18
		3AC 230V	15,6	4 x 1,5	12 ÷ 18
		AC 230V	17,8	3 x 2,5	12 ÷ 18
OPCE-60	8,2	3NAC 400V	13	5 x 1,5	12 ÷ 18
		3AC 230V	21,2	4 x 2,5	12 ÷ 18

○ Kokonaisteho - Totaleffekt - Total power

# OPCE-40, OPCE-60

## ASENNUSKUVA - INSTALLATIONSBLD - INSTALLATION DIAGRAM

(Mitat cm - Mått cm - Measurements cm)



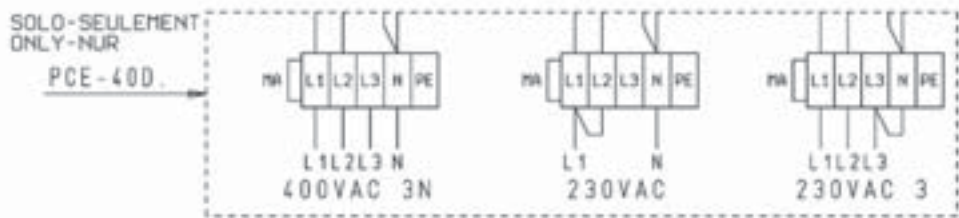
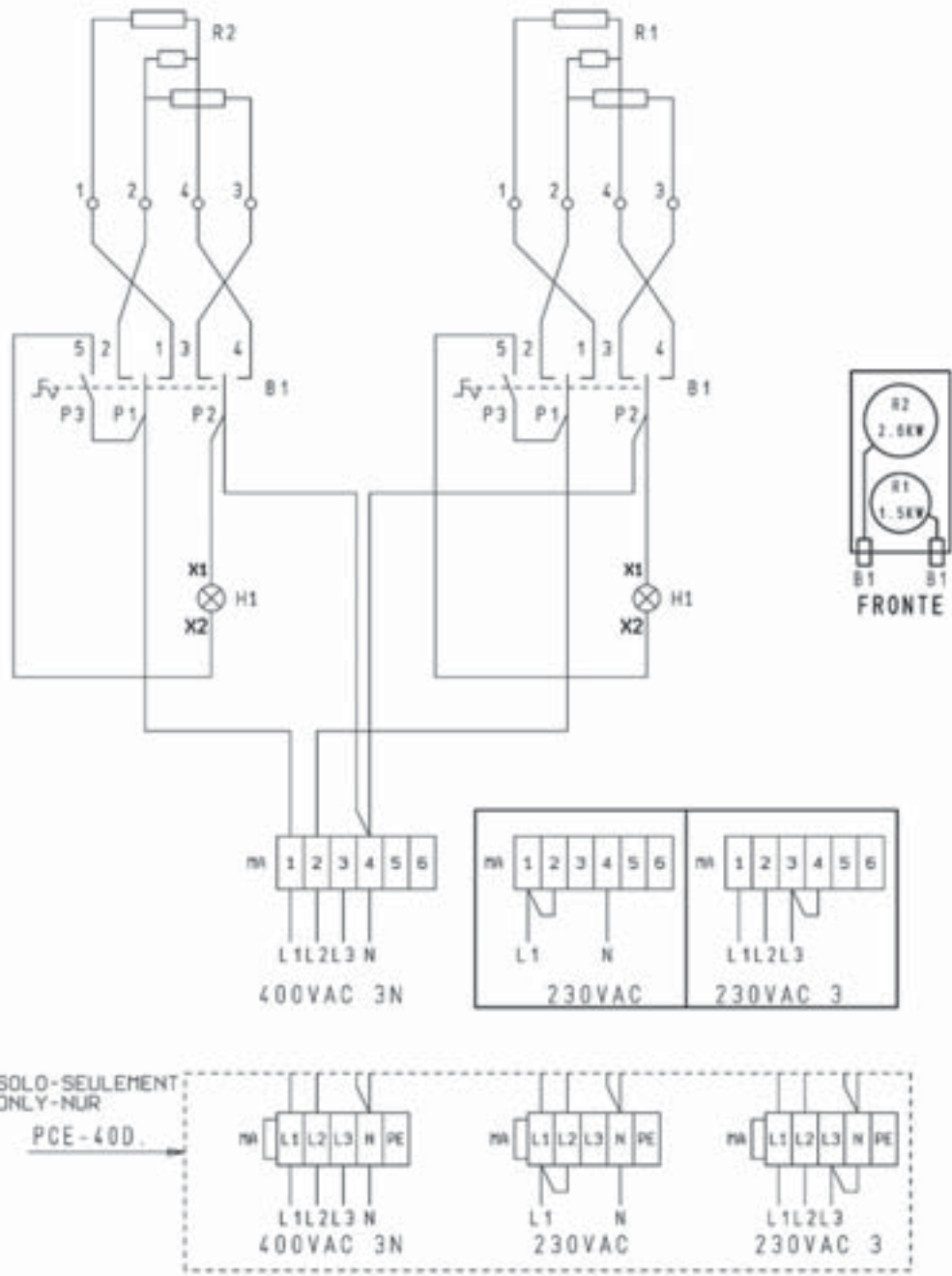
**M** Verkkoliitin - Nätanslutning - El. power connection blocks

**P** Sähkökaapelin vedonpoisto - Dragavlastare - Electric cable stress relief

OPCE-40  
CE62TPT  
CCT6220

DIS.N. 1049102734  
DATA 27-04-1999  
MOD. PCE-40..

DISEGNATO DA:	MOD.	FIRMA	DATA	DESCRIZIONE MODIFICA
MARDINI	34	MARDINI	27.04.98	MOD.PIASTRE IERANO 2KW-400 MODELLI CCI-FAMIGLIA C
APPROVATO DA:		MARDINI	22.02.01	AGGIUNTA MA PER MODELLI DR0P-IN
		MARDINI	30.04.04	AGGIORNATO MODELLI SILKO
		MARDINI	27.07.05	AGGIUNTO MODELLO 0L15



- |       |                          |                      |                        |                     |
|-------|--------------------------|----------------------|------------------------|---------------------|
| B1    | COMMUTATORE FUNZIONI     | COMMUTEUR            | MODE SWITCH (MAIN)     | KYTKIN              |
| H1    | LAMPADA SPIA VERDE       | LAMPE TENDIN VERT    | GREEN PILOT LAMP       | VIHREÄ MERKKILAMPPU |
| MA    | MORSETTIERA ARRIVO LINEA | BORNES ARRIVEE LIGNE | TERMINAL BLOCK         | VERKKOLIITIN        |
| R1-R2 | PIASTRA ELETTRICA        | PLAQUE ELECTRIQUE    | ELECTRIC COOKING PLATE | KEITTOLEVY          |

POTENZA TOTALE-PUISSANCE TOTALE  
HEAT INPUT-ANSCHLUSSWERT

400 VAC 2N	11.3 A	
4.1 KW 230 VAC 1N	17.8 A	50-60Hz
230 VAC 3	15.6 A	



