

metos

SERVING COUNTER

CRONO

Installation and Operation Manual



S/N:

Rev.: 2.0

**4309900, 4309905, 4309910, 4309912,
4309901, 4309906, 4309911, 4309913,
4309914, 4309915**

Dear Customer,

Congratulations on deciding to choose a Metos appliance for your kitchen activities. You made an excellent choice. We will do our best to make you a satisfied Metos customer like thousands of customers we have around the world.

Please read this manual carefully. You will learn correct, safe and efficient working methods in order to get the best possible benefit from the appliance. The instructions and hints in this manual will give you a quick and easy start, and you will soon note how nice it is to use the Metos equipment.

All rights are reserved for technical changes.

You will find the main technical data on the rating plate fixed to the equipment. When you need service or technical help, please let us know the serial number shown on the rating plate. This will make it easier to provide you with correct service.

For your convenience, space is provided below for you to record your local Metos service contact information.

METOS TEAM

Metos service phone number:.....

Contact person:.....

1. General	1
1.1 Symbols used in the manual	1
1.2 Symbols used on the appliance	1
1.3 Checking the relationship of the appliance and the manual	1
2. Safety	2
2.1 Safe use of the appliance	2
2.2 Disposal of the appliance	2
3. Functional description	3
3.1 Intended use of the appliance	3
3.2 Construction	3
3.3 Operating principle	4
3.3.1 Operating switches and indicator lights	4
3.3.2 Alarms and warnings	5
4. Operating instructions	6
4.1 Before using the appliance	6
4.2 Operation procedures	6
4.2.1 Storage of foods	6
4.3 After use	6
4.3.1 Cleaning	6
4.3.2 Periodic checks	7
4.3.3 If the appliance is to be out of use for long periods	7
5. Installation	8
5.1 Transporting and handling the appliance	8
5.2 Unpacking and positioning the appliance	8
5.3 Electrical connections	8
6. Troubleshooting	9
7. Spare parts	11
8. Technical specifications	17

1. General

Carefully read the instructions in this manual as they contain important information regarding proper, efficient and safe installation, use and maintenance of the appliance.

Keep this manual in a safe place for eventual use by other operators of the appliance.

The installation of this appliance must be carried out in accordance with the manufacturer's instructions and following local regulations. The connection of the appliance to the electric and water supply must be carried out by qualified persons only.

Persons using this appliance should be specifically trained in its operation.

Switch off the appliance in the case of failure or malfunction. The periodical function checks requested in the manual must be carried out according to the instructions. Have the appliance serviced by a technically qualified person authorized by the manufacturer and using original spare parts.

Not complying with the above may put the safety of the appliance in danger.

1.1 Symbols used in the manual



This symbol informs about a situation where a safety risk might be at hand. Given instructions are mandatory in order to prevent injury.



This symbol informs about the right way to perform in order to prevent bad results, appliance damage or hazardous situations.



This symbol informs about recommendations and hints that help to get the best performance out of the appliance.

1.2 Symbols used on the appliance



This symbol on a part informs about electrical terminals behind the part. The removal of the part must be carried out by qualified persons only.

1.3 Checking the relationship of the appliance and the manual

The rating plate of the appliance indicates the serial number of the appliance. If the manuals are missing, it is possible to order new ones from the manufacturer or the local representative. When ordering new manuals it is essential to quote the serial number shown on the rating plate.

2. Safety

2.1 Safe use of the appliance



Before connecting the appliance to the mains check that the voltage and frequency are as indicated on the rating plate.



It is recommended to connect the appliance to a specifically provided high sensitivity (30 mA) differential security breaker.



Before cleaning or servicing the appliance, always disconnect it from the mains power supply by turning the main switch to the 0 position and by removing the plug from the socket.

Never insert screwdrivers or other items between the fan grilles.

Never touch electrical parts with wet hands or barefoot.

To ensure efficient operation of the compressor unit, never block the air intakes.

Do not allow water to stagnate inside the refrigerated basin; dry it with a sponge.

In case of fire, do not use water. Obtain a CO₂ (carbon dioxide) fire extinguisher and cool the compressor compartment as quickly as possible.



Tampering with or removal of the safety devices adopted is absolutely forbidden.

2.2 Disposal of the appliance

The destroying of the appliance when the end of its economical lifetime has been reached must be carried out in accordance with local rules and regulations. The appliance may contain substances/materials which potentially have an adverse impact on the environment as well as recyclable materials. The best way of dealing with such substances is best done by using professional personnel specializing in recycling.

3. Functional description

3.1 Intended use of the appliance

This cold display unit is designed for storage of foodstuffs.

The appliance is equipped with a protective hood which can be lifted and brought down as needed. This feature helps to keep the foodstuffs at the right temperature and also improves the appliance's energy economy.

3.2 Construction

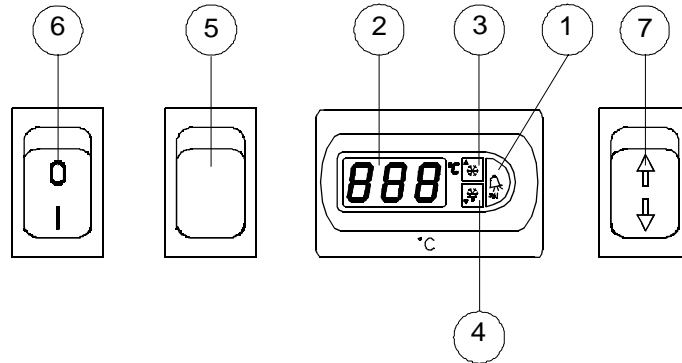
The zones in contact with foodstuffs are made of stainless steel AISI 304.

The appliance is manufactured in two different models: one with drawers and cupboards in the lower section, and the other without them.

The tray slides must be ordered separately. They are available in breadths of 160 mm or 240 mm.

3.3 Operating principle

3.3.1 Operating switches and indicator lights



1. SET button/alarm
2. Temperature display
3. INCREASE button/Compressor running
4. DECREASE button/Defrosting in progress
5. Light switch (yellow)
6. Main switch (green)
7. Switch to bring down and to lift the protective hood

Switching the appliance on

Press the green main switch (6). The green light illuminates to show that the appliance is on.

Setting the temperature

Press the SET button (1) to display the temperature set; this can be modified by using buttons (3) (INCREASE) and (4) (DECREASE) within 5 seconds. The new value will be automatically memorized 5 seconds after the last modification.

Defrosting

Defrosting of the evaporator is fully automatic; it takes place every 8 hours and lasts 45 minutes.

If necessary, defrosting can be started manually; a defrosting cycle starts if button (4) is pressed for more than 3 seconds.

3.3.2 Alarms and warnings

E0 BLINKING: inside temperature sensor error

E1 BLINKING: evaporator temperature sensor error

LO BLINKING: low temperature alarm

HI BLINKING: high temperature alarm

EE: thermostat operation error

ED BLINKING: defrosting insufficient

DF BLINKING: defrosting in progress

4. Operating instructions

4.1 Before using the appliance

Wash the inside of the refrigerated basin and the accessories by wiping with a damp cloth and using neutral detergent.



The pan under the refrigerated basin is designed to collect small amounts of condensation. Never use jets of water inside the refrigerated basin.

4.2 Operation procedures



The protective hood of the appliance is not intended to bear any weight.



Never pour any liquids into the refrigerated basin, since this may cause malfunction of the appliance.

4.2.1 Storage of foods

To obtain the best performance out of the appliance, follow the instructions given below:

- Do not place the appliance in excessively hot environments (not over +38°C).
- Products must be chilled in a refrigerator before inserting them in the display unit.
- Do not place hot or evaporating foods in the unit.
- Keep the protective hood closed always when possible.
- The unit must have reached its operating temperature before products are placed inside.
- Switch off the lights when no longer needed.

4.3 After use

Regular cleaning and maintenance procedures must be carried out to obtain high performance out of the appliance and to keep it in good condition for a long time.

4.3.1 Cleaning



Before cleaning, disconnect the appliance from the power supply by removing the plug from the socket.



Removing any guards/safety devices (grilles, stickers etc.) is not allowed.

Daily cleaning

Clean the outside surfaces of the appliance thoroughly by wiping with detergents specifically intended for wood. Never use chlorine-based or abrasive substances, not either utensils which may cause scratches.

Clean the inside of the refrigerated basin with non-abrasive neutral detergents which do not contain chlorine, to avoid the formation of dirt residues.

Remove food residues with the aid of neutral detergent, using a wooden or plastic spatula if necessary. After cleaning, rinse by wiping with a damp cloth and dry thoroughly.

Clean the plastic protective hood with neutral detergent. Do not use chlorine-based substances, methylated spirits or abrasives.



Never clean the refrigerated basin with jets of water, since this may cause malfunction of the appliance.

4.3.2 Periodic checks

- Check that the plug is securely fitted into the power supply socket.
- Check that the appliance is not subject to the effects of a heat source.
- Check that the condenser is not blocked with dust. When necessary, call the service.
- Check that the condensation drain pipe is inside the condensate pan under the refrigerated basin.



Cleaning the refrigeration unit and checking the screws and clamps of the lift actuator must be carried out by skilled staff.

4.3.3 If the appliance is to be out of use for long periods

- Turn the main switch to the 0 position.
- Remove the plug from the power supply socket.
- Remove all foods from the refrigerated basin.
- Clean the basin thoroughly.
- Leave the protective hood ajar to allow air to circulate and prevent the formation of mould and/or unpleasant odours.

5. Installation

5.1 Transporting and handling the appliance



The appliance must be handled with great care.

Store the appliance in its package in a dry place. Exposing the appliance to the rain is forbidden.

Lift the appliance using a fork-lift truck or pallet trolley, taking great care to balance the weight.

Packing materials must be disposed of in accordance with local regulations.

CRONO display units may not be stacked.

5.2 Unpacking and positioning the appliance

- Unpack the appliance cautiously.
- Ensure that the surface on which the appliance will be installed is perfectly even.
- Adjust the appliance in a horizontal position with the help of a spirit level and adjustable feet.

5.3 Electrical connections



Before connecting the appliance to the mains electricity, ensure that the mains voltage and frequency are as indicated on the appliance rating plate. A variation of +/-10% on the rated voltage is permitted.

The appliance must be connected to an efficient earthed socket.

To protect the appliance against overloads or short-circuits, it must be connected to the mains by means of a suitably rated fuse and/or a differential security breaker (30mA) with manual reset.

6. Troubleshooting

Malfunctions are very often caused by simple problems which the user can solve by himself. Before contacting your after-sales service, make the following checks:

PROBLEM	ACTION
The appliance stops operating	Check that the plug is fitted into the socket correctly.
The temperature inside the appliance is not low enough	Check that the temperature is not affected by a nearby heat source.
	Check that the condenser air intakes are not blocked.
The appliance is too noisy	Check that the appliance is not in loose contact with any other object.

If the fault persists after making the above checks, contact your after-sales service. Remember to specify

- the nature of the defect
- the serial number of the appliance indicated on the rating plate.

The rating plate is located near the refrigeration unit.

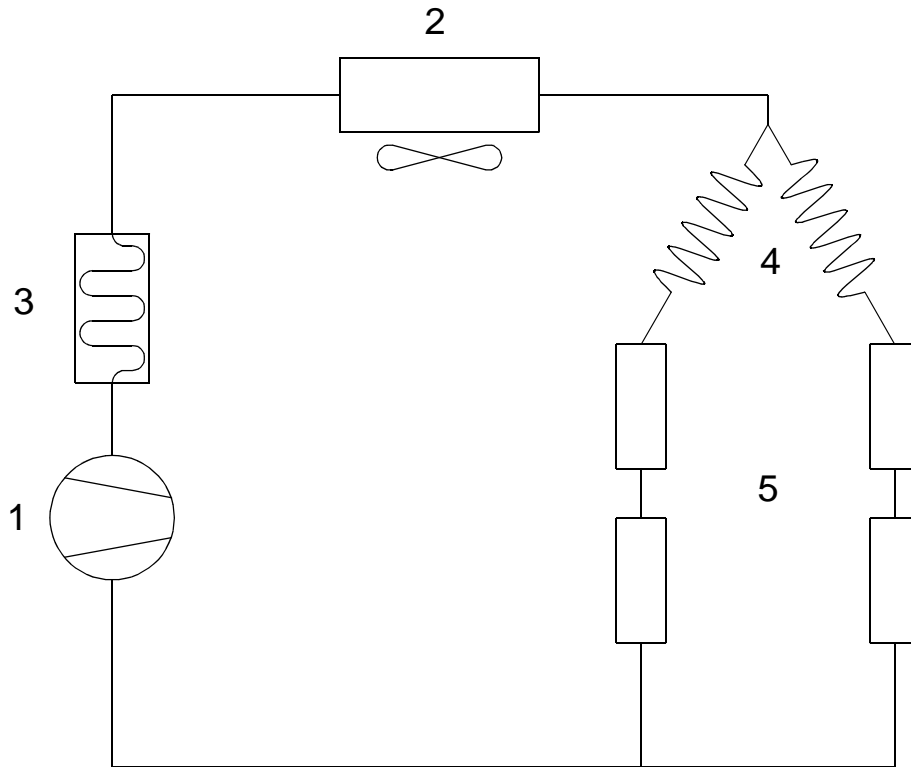
8. Technical specifications

Refrigeration circuit diagram

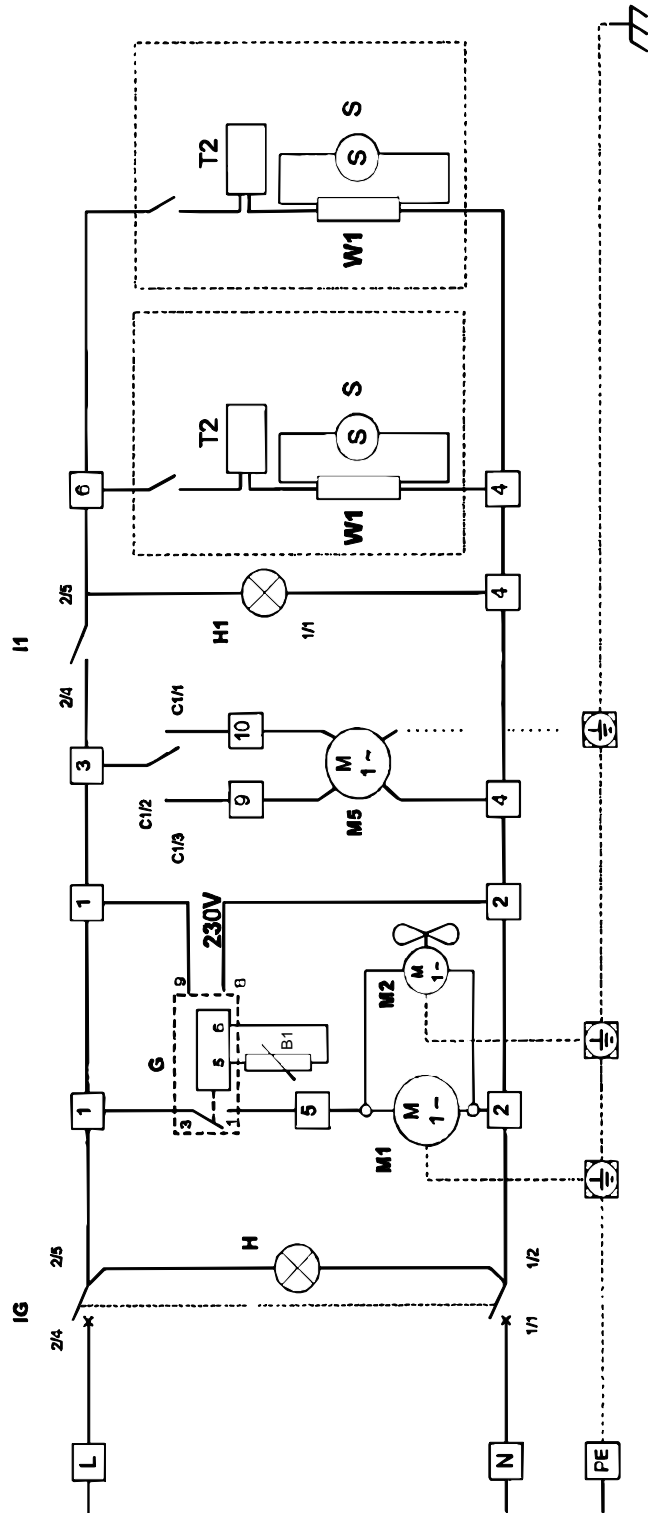
Wiring diagram

Dimensional drawing

Refrigeration circuit diagram



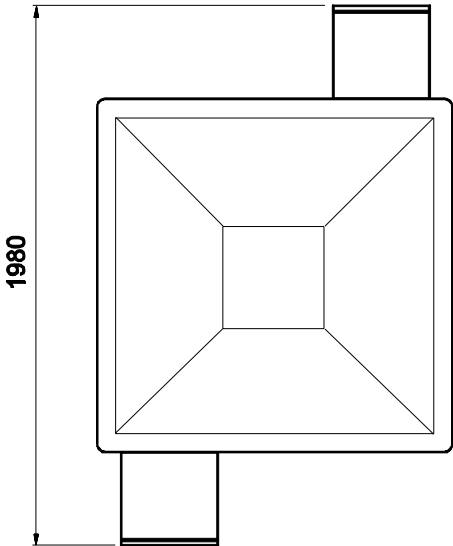
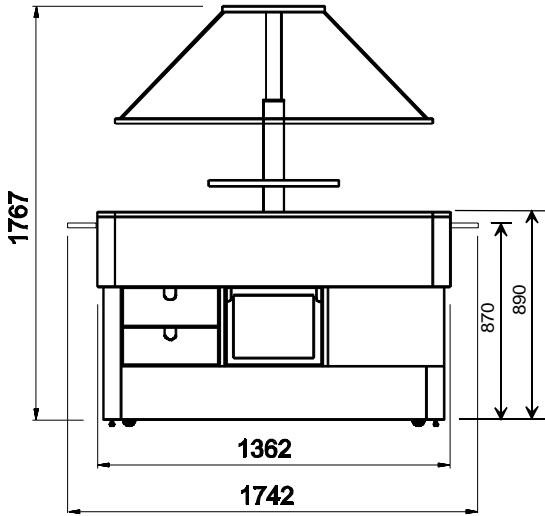
	Description
1	Compressor
2	Air condenser
3	Automatic evaporation condensate
4	Capillary tube
5	Evaporator



Wiring diagram

	Description
L	Line
N	Neutral
PE	Earth point
B1	Sensor NTC
H	Power indicator light
H1	Indicator light
IG	Main switch
I1	Light switch
M1	Compressor
M2	Condenser fan
M5	Motor, hood lifting
S	Starter
T2	Ballast
W	Fluorescent lamp
C1	Switch, hood lifting
G	Thermostat

Dimensional drawing



Technical specifications

Item	Specification
Dimensions WxDxH	1362x1362x1767 mm
Capacity	4 x GN 2/1
Climatic classification	N
Temperature range	+2...+10°C
Refrigeration capacity	797 W
Refrigerant	R134a
Power	470 W
Current	2,6 A
Refrigeration system	Static
Weight	218 kg
Power supply	~250V 16A 50Hz
Finishing	Walnut
	Oak