

metos

MINIBAR

XC-30N, XC-30G, XC-38N, XC-38G

Installation and user manual



5.6.2014

MG4242980, MG4242982, MG4242984, MG4242986

TABLE OF CONTENTS

1.	General	3
2.	Placement	4
3.	Maintenance	5
4.	Instructions for use	5
4.1.	Hints for power saving	6
5.	Troubleshooting	6
6.	Technical data	7

1. General



Carefully read the instructions in this manual as they contain important information regarding proper, efficient and safe installation, use and maintenance of the device.

Keep this manual in a safe place for eventual use by other operators of the device.



The refrigerator should use a separate special power socket. The power socket must meet the requirements of relevant safety laws and standards.



Make sure that the cooling system (it will be hot during operation) on the back side of the refrigerator should not be touched by anyone unexpectedly.



The refrigerator should not be splattered with water.



Storage of explosive, combustibles, volatile dangerous goods and corrosives acid and alkali in the refrigerator are prohibited.



The inside temperature of the refrigerator is over 0 °C, please do not put the items to be frozen into the refrigerator.



In case of trouble or abnormal phenomena, please contact our service department or dealer for services without delay. Do not dismantle the refrigerator without authorization.



This appliance is not intended for use by persons (including children) with reduced physical, sensory or mental capabilities, or lack of experience and knowledge, unless they have been given supervision or instruction concerning use of the appliance by a person responsible for their safety.



Children should be watched to ensure that they do not play with the appliance.



When the dishwasher has reached the end of its service life, it must be recycled in accordance with current regulations. Contact a company which specialises in recycling.

2. Placement



The proper placement of the refrigerator is shown as figure 1 to keep good heat exchange effect of the refrigerator.

- Do not place the appliance near heat sources or in direct sunlight
- In case of built-in placement (for example in restaurant, hotel), enough ventilation space is required
- The ventilation grid should not be covered by anything, such as decorations and clothes etc
- The refrigerator must be placed steady and levelly
- Do not put the refrigerator into a closed cabinet.

1. The proper placement of the free-standing refrigerator is shown as figure 1
2. In case of built-in placement (for example in restaurant, hotel), enough ventilation space are required, The area of the admission inlet and exhaust outlet should not be less than 250cm², see figure 2.

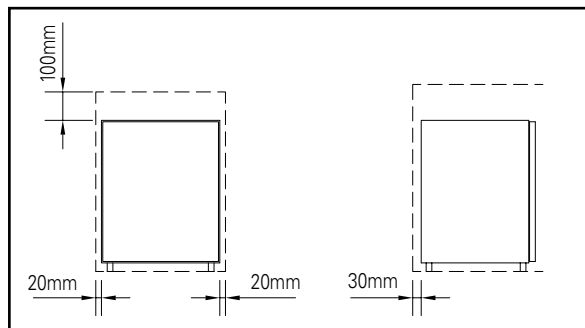


Fig. 1

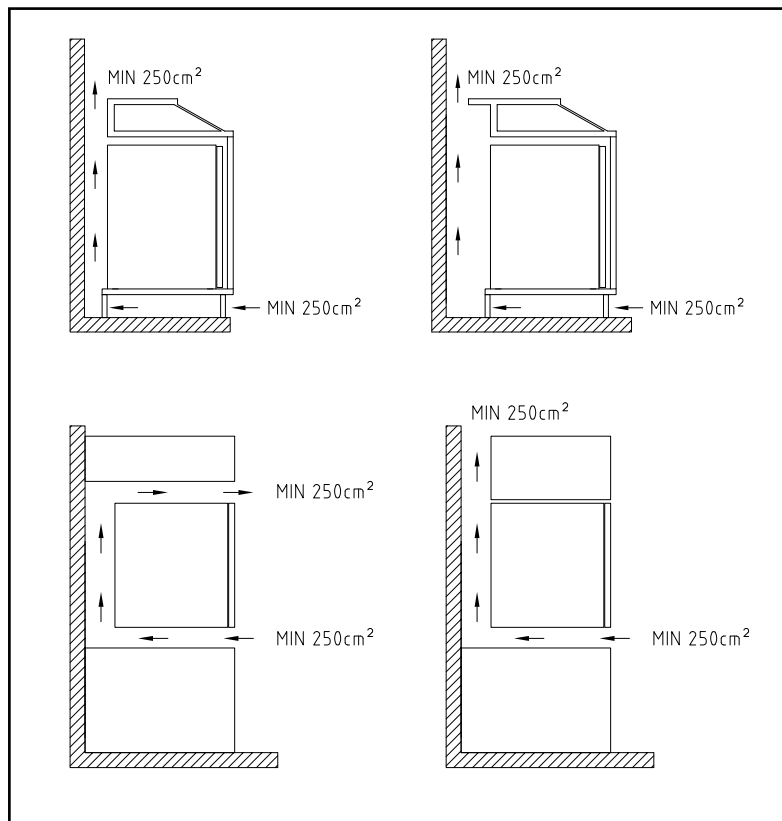
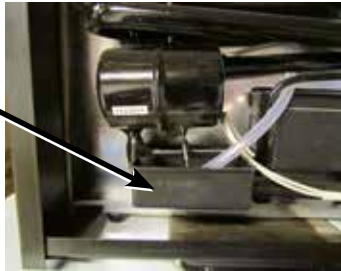


Fig. 2

3. Maintenance

It is recommended that the absorption refrigerator shall be cleaned before its operation!

1. Clean the refrigerator with soft cloth with water and neutral detergent, then to wash inside and outside the refrigerator with clean water, then wipe the refrigerator dry
2. After operation of the refrigerator, remove the dust on the cooling system on back of the refrigerator with soft cloth or feather duster at irregular intervals.
3. Clean the water storage tank on the back of the refrigerator every quarter or at irregular intervals.



4. When it is necessary to clean the shelves on the door, only lift the shelves up, then take the shelves out.



If the supply cord is damaged, it must be replaced by the manufacturer or its service agent or a similarly qualified person in order to avoid a hazard.

4. Instructions for use

1. For the first time, put the articles into the refrigerator 5 to 6 hours after switch on and the inside chamber is cooled down
2. The height of the shelves can be freely adjusted. Do not put heavy articles on the shelves.
3. The refrigerator mounted a microprocessor controlled thermostat . The knob of the thermostat is located at bottom of inside back wall. If you want a lower inside temperature, please turn the knob clockwise; if you want a higher temperature, please turn the knob anti-clockwise.
4. The refrigerator has a function of automatic defrost: the refrigerator will start its first defrost at 15 hours after switch on and the defrost will take 1 hours, then the refrigerator will do defrost after every 23 hours of operation, the duration of defrost will be 1 hour. The defrosted water will go to the water collection tank, then flow into water storage tank, and then naturally evaporate



Caution: Never force clear frost on the evaporator away; also never use a heater for quick melting of ice and frost.

5. There is a light inside the chamber of the refrigerator (the refrigerator with glass door has no light), the light will be automatically on when the door of the refrigerator is open.



Steps for replace light are as follows:

Disconnect the power supply before replacing the light!

- Unplug the power plug
- Remove the transparent light cover on the top of inside chamber
- Turn the burnt light anti-clockwise and take the burnt light out
- Fit a new light and turn tight clockwise
- Put the light cover back.

4.1. Hints for power saving

- Do not set a lower temperature than necessary.
- Do not place the appliance near heat sources or in direct sunlight.
- Ensure that the cooling system on the back of the appliance gets enough air. Do not obstruct air circulation.
- Do not open the door unnecessarily
- The refrigerator should be switched on 2 hours before putting goods into the refrigerator
- The device is intended for the storage of refrigerated products. Do not place hot items in the appliance.

5. Troubleshooting

Cooling dose not work (the cooling system on back of the refrigerator is cool)

Problem	Solution (for users)	Solutions (for service)
The thermostat knob is in position "H"	Set the knob in the middle position	
The power plug is not plugged in	Put the plug in the socket	
There is no power in the socket	Check the power supply	
Problem of electronic parts or sensor	Call service	Replace with new electronic parts or sensor
The heater does not work	Call service	Replace with new tube heater bar
The refrigerator is at defrost	Wait until the defrosting is over. See "Instructions for use".	
Problem caused during transportation	Turn the refrigerator 90° to front	

Kylsystemet startar inte (kylsystemet på apparatens baksida är varmt)

Problem	Solution (for users)	Solutions (for service)
The refrigerator is not levelly placed;	Make the refrigerator level; put the refrigerator at a level floor;	
The refrigerator has just been started	Check it 6 hours after the refrigerator starts operation.	
The cooling system is at fault.		Check if the cooling system can be repaired? If not, change the cooling system

6. Technical data

Model	XC-30N	XC-38N	XC-30G	XC-38G
Type of appliance	Freestanding or Built-in	Freestanding or Built-in	Freestanding or Built-in	Freestanding or Built-in
Capacity	30L	38L	30L	38L
Climate class	N	N	N	N
Inside temperature	2°C to 8°C	5°C to 10°C	10°C to 15°C	12°C to 15°C
Voltage	220V/110V/12V	220V/110V/12V	220V/110V/12V	220V/110V/12V
Power	60W	60W	60W	60W
Power consumption	0.8 kw.h/24h	0.9 kw.h/24h	0.8 kw.h/24h	0.9 kw.h/24h
Cooling system	Absorption system	Absorption system	Absorption system	Absorption system
Protective class	I	I	I	I
Refrigerant	R717	R717	R717	R717
Foaming agent	R141b	R141b	R141b	R141b
Thermostat	Electronic	Electronic	Electronic	Electronic
Defrosting	Automatic	Automatic	Automatic	Automatic
Exterior	Plastic coated steel sheet	Plastic coated steel sheet	Plastic coated steel sheet	Plastic coated steel sheet
Interior	highlight clad PS sheet	highlight clad PS sheet	highlight clad PS sheet	highlight clad PS sheet
Internal light	Yes	Yes	No	No
Shelf	plastic	steel wire	plastic	steel wire
Numbers of shelf	2	2	2	2
Door shelf	plastic	metal	plastic	metal
Net/gross weight	13/15kg	15/17kg	13/15kg	15/17kg
Unit dimension	400*415*530mm	435*455*545mm	400*415*530mm	435*455*545mm
Packing dimension	435*455*590mm	495*475*600mm	435*455*590mm	495*475*600mm
Container load quantity	243/485/600 pcs	189/379/384 pcs	243/485/600 pcs	189/379/384 pcs
Certification	CE, RoHs	CE, RoHs	CE, RoHs	CE, RoHs

