

# metos

## ICE CUBE MAKER

Air-condensed  
Water-condensed

TYPE: VB250A, VM500, VM900

---

### Installation and Operation Manual

---





Dear Customer,

Congratulations on deciding to choose a Metos appliance for your kitchen activities. You made an excellent choice. We will do our best to make you a satisfied Metos customer like thousands of customers we have around the world.

Please read this manual carefully. You will learn correct, safe and efficient working methods in order to get the best possible benefit from the appliance. The instructions and hints in this manual will give you a quick and easy start, and you will soon note how nice it is to use the Metos equipment.

All rights are reserved for technical changes.

You will find the main technical data on the rating plate fixed to the equipment. When you need service or technical help, please let us know the serial number shown on the rating plate. This will make it easier to provide you with correct service.

For your convenience, space is provided below for you to record your local Metos service contact information.

METOS TEAM

Metos service phone number:.....

Contact person:.....



<b>1. General .....</b>	<b>1</b>
1.1 Symbols used in the manual .....	1
1.2 Symbols used on the appliance .....	1
1.3 Checking the relation of the appliance and the manual .....	1
<b>2. Safety instructions .....</b>	<b>2</b>
2.1 Safe use .....	2
2.1.1 Modifications .....	2
2.2 Safety instructions in case of malfunction .....	2
2.3 Disposal of appliance .....	2
<b>3. Functional description .....</b>	<b>3</b>
3.1 General .....	3
3.2 Designed use of appliance .....	3
3.2.1 Other than instructed use .....	3
3.3 Structure .....	3
3.4 Functioning principle .....	3
3.4.1 Switches and signal lights .....	3
<b>4. Use instructions .....</b>	<b>4</b>
4.1 Before use .....	4
4.1.1 Preparations .....	4
4.2 Use .....	4
4.3 After use .....	4
4.3.1 Scheduled maintenance .....	5
4.3.2 Layup .....	5
<b>5. Installation .....</b>	<b>6</b>
5.1 General .....	6
5.1.1 Using conditions .....	6
5.2 Possible disturbances from environment (to environment) .....	6
5.3 Storage .....	6
5.4 Preparing installation .....	7
5.5 Disposal of packaging .....	7
5.6 Connection to power supply mains .....	7
5.7 Connection to water mains .....	7
5.7.1 Connection to the cold water .....	7
5.7.2 Connection to water drain pipe .....	8

---

5.8 Distance of other fixtures .....	9
<b>6. Main causes of operating failure .....</b>	<b>10</b>
<b>8. Technical specifications .....</b>	<b>51</b>

# 1. General

Carefully read the instructions in this manual as they contain important information regarding proper, efficient and safe installation, use and maintenance of the appliance.

Keep this manual in a safe place for eventual use by other operators of the appliance.

The installation of this appliance must be carried out in accordance with the manufacturer's instructions and following local regulations. The connection of the appliance to the electric and water supply must be carried out by qualified persons only.

Persons using this appliance should be specifically trained in its operation.

Switch off the appliance in the case of failure or malfunction. The periodical function checks requested in the manual must be carried out according to the instructions. Have the appliance serviced by a technically qualified person authorized by the manufacturer and using original spare parts.

Not complying with the above may put the safety of the appliance in danger.

## 1.1 Symbols used in the manual



This symbol informs about a situation where a safety risk might be at hand. Given instructions are mandatory in order to prevent injury.



This symbol informs about the right way to perform in order to prevent bad results, appliance damages or hazardous situations.



This symbol informs about recommendations and hints that help to get the best performance out of the appliance.

## 1.2 Symbols used on the appliance



This symbol on a part informs about electrical terminals behind the part. The removal of the part must be carried out by qualified persons only.

## 1.3 Checking the relation of the appliance and the manual

The rating plate of the appliance indicates the serial number of the appliance. If the manuals are missing, it is possible to order new ones from the manufacturer or the local representative. When ordering new manuals it is essential to quote the serial number shown on the rating plate.

## 2. Safety instructions

### 2.1 Safe use

To guarantee the efficiency of the ice cube maker equipped with a vertical evaporation system and to ensure its proper operation, it is essential to adhere to the directions provided by the manufacturer and to make sure that any maintenance work is carried out exclusively by professionally qualified staff. The appliance is designed to be used by adult persons. Consequently, prevent any children from gaining access to it, for example with the intention of playing with it.

#### 2.1.1 Modifications

Modifying or attempting to modify this appliance, in addition to rendering any form of warranty null and void, is extremely dangerous.

### 2.2 Safety instructions in case of malfunction

Under no circumstances, attempt to repair the appliance yourself, since any intervention on the part of persons who are not competent, in addition to being dangerous, may cause serious damage to it. In the event of a failure, contact the dealer who sold you the appliance; he will be able to give you the address of your nearest Authorized Technical Service Centre. We recommend that you insist on having always and exclusively original spares.

### 2.3 Disposal of appliance

Should you decide to scrap your ice cube maker, first disconnect the power supply cable from the mains, and then cut the cable off. In addition, proceed as follows:

- Break and remove the door in order to prevent the possible danger of a child getting trapped inside.
- Make sure not to disperse the coolant gas and oil contained in the compressor into the environment.
- Dispose of or recover the various materials according to the requirements of current regulations valid in your country.



This appliance does not contain coolant that damages the ozone layer.



## 3. Functional description

### 3.1 General

In making ice cubes only cold, pure drinking water, should be used. Insofar ice cubes are mainly used for cooling of beverages for internal use, shall the quality of water used in making ice cubes be considered as important as the pureness and good storage of any other food products.

### 3.2 Designed use of appliance

Your ice cube maker is designed solely for the production of ice cubes.

#### 3.2.1 Other than instructed use

Do not use the ice cube container to cool or preserve food or drinks, insofar as these operations could cause the drainage system to get clogged, so leading the container filling up and water leaking out. Any use of the ice cube maker other than for the production of ice cubes, from cold drinking water, is to be considered as improper use.

### 3.3 Structure

The supporting structure of the ice cube maker is of steel and the outer panels are of stainless steel.

### 3.4 Functioning principle

The coolant in the cooling system freezes the evaporator to a temperature of  $-15^{\circ}\text{C}$ . A water pump sprays an even jet of water into the upside down turned cupformed evaporator, where forms solid ice. When the ice cube is large enough, starts a phase of warm gas melting, during which the ice cubes come loose from the evaporator and fall down into the ice cube container.

#### 3.4.1 Switches and signal lights

A switch on the front panel of VB ice cube maker switches ON and OFF the appliance.

A switch on the side panel of VM ice cube maker switches ON and OFF the appliance.

## 4. Use instructions

### 4.1 Before use

#### 4.1.1 Preparations

The ice cube maker has been already cleaned in the factory.



It's recommended to wash the internal parts before using the appliance the first time. For cleaning operations from the inside of the appliance must be carried out by professionally qualified and authorized staff.

### 4.2 Use

After the appliance has been correctly connected to the electric mains and to the water drainage system, the appliance can start it up. Open the water supply tap and wait three minutes before proceeding to the next operation. Switch on the power supply via the appropriate switch provided during the installation phase.

The appliance which have the relative switch, do the above operations and start by pressing the switch.

In making ice cubes only cold, clean drinking water should be used. Insofar ice cubes are mainly used for cooling of beverages for internal use, shall the quality of water used in making ice cubes be considered as important as the pureness and good storage of any other food products.

Never use the ice cube container for cooling or storing of food products or beverages, because this may cause an obstruction in the drain for the melt water, which would cause an overflow of water in the ice cube container.

### 4.3 After use



All cleaning operations must be carried out only after the power and water supply have been disconnected.

For cleaning operations in general, use an ordinary detergent for washing dishes or a solution of water and 10 % of vinegar. It's recommended not to use abrasive detergents or powders, since these might damage the finishings.



For cleaning operations from the inside and disinfection of the appliance must be carried out by professionally qualified and authorized staff.

For air-cooled models, it's very important to keep the finned condenser clean.



Have the finned condenser cleaned at least once every two months by authorized Technical Service Center, which can include this operation in the scheduled maintenance program.

### 4.3.1 Scheduled maintenance

We recommend that you ask your dealer to draw up a scheduled maintenance contract which will cover the following:

- cleaning of the condenser every two months
- cleaning of the filter located on the water inlet solenoid valve every two months
- cleaning of the water outlet solenoid valve every two months
- check on state of charge of the coolant gas 2 x year
- check of operating cycle 2 x year
- disinfection of the ice cube maker 2 x year
- cleaning of the ice container 2 x year

### 4.3.2 Layup

If you do not intend using the ice cube maker for a certain period of time, proceed as follows:

## 5. Installation

### 5.1 General

The ice cube maker is delivered attached to a special wooden pallet and protected with cardboard packaging. Installation must be carried out exclusively by qualified and authorized staff, in compliance with current national standards and following the manufacturer's instructions.

#### 5.1.1 Using conditions

The best performance of the ice cube maker is achieved at a room temperature of between 10°C and 35°C and a water supply temperature of between 3°C and 25°C. Avoid installing the appliance where it may be exposed to direct sunlight or near to heat sources, such as radiators, stoves, dish-washers, etc.

This appliance:

- should not be used outdoors
- should not be installed in damp places or where it is liable to be sprayed with water
- the distance of the appliance from the side walls should be at least 5 cm.

The VM ice cube maker must be installed on a container.

### 5.2 Possible disturbances from environment (to environment)

If installation is carried out incorrectly, damage and/or injury may ensue to the environment, persons, animals or things. The manufacturer declines all responsibility for any such damage or injury.

### 5.3 Storage

The net weight and the weight including packaging of the ice cube maker are given on the cover of the packaging. In order to prevent the oil contained in the compressor from flowing into the coolant circuit, make sure to transport, store, and handle the ice cube maker always keeping it standing upright. Follow the instructions given on the packaging.

The special wooden pallet, built so that it can be lifted with a fork-lift truck, enables the appliance to be moved around using ordinary means of handling and lifting.

## 5.4 Preparing installation

Make sure, that the ice cube maker will be installed on an even surface. Avoid installing the appliance near heat sources. A floor drain should be found near of the place of installation. The maximum distance being 5 m. Make sure that the meltwater pipe presents a slope of at least 5 % throughout its entire length.

## 5.5 Disposal of packaging

All the packaging items (plastic bags, cardboard, polystyrene foam, nails, etc.) must not be left within reach of children, in that they are potential sources of danger.

## 5.6 Connection to power supply mains

The electrical wiring system scheme is attached of the back panel of the ice cube maker.

Electric safety of the ice cube maker is achieved solely when the appliance is properly connected to an efficient earthing system made in compliance with current national safety standards. Make sure that this fundamental safety requirement is respected and, if you are in any doubt, ask for a thorough check of the electric system by professionally qualified and authorized staff. The manufacturer declines all responsibility for damage and/or injury that might ensue from any failure to earth the system properly. It is essential that the electrical wiring system where the appliance is to be installed should have adequate current carrying capacity for the maximum power of the appliance, as shown on the data plate. To achieve a proper and safe installation of the ice cube maker, it is necessary to provide an appropriate earthed socket, with a contact-opening gap of no less than 3 mm, in accordance with current national safety standards. This switch must moreover be equipped with fuses.

Make sure to unroll the power supply cable to its entire length and check that it is not squeezed in any way.

## 5.7 Connection to water mains

### 5.7.1 Connection to the cold water

The ice cube maker is designed solely for producing ice cubes and must be fed exclusively with cold water for human consumption (drinking water).

The running pressure must be between 1 and 6 Bar.

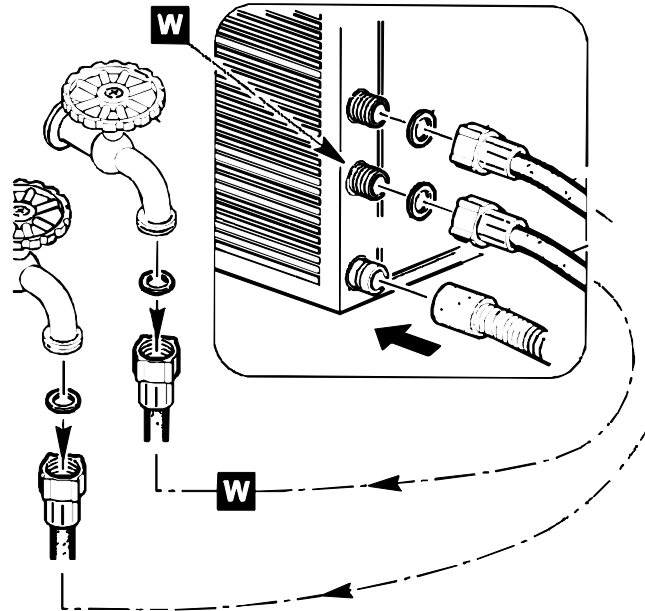
Connection to the water mains must be made following the manufacturer's instructions by professionally qualified staff.

Between the water mains and the supply pipe of the ice cube maker, a tap must be installed so that the water supply may be shut off if need be.



Never turn the water supply tap off when the appliance is working.

Where the feed water is particularly hard, you are advised to install a softener. Any solid particles (e.g., sand) may be eliminated by installing a mechanical filter, which must be periodically inspected and cleaned. These filters must be in compliance with the relevant national standards in force.



Insert the special seals provided in the two threaded ring nuts of the water supply pipe supplied with the appliance.

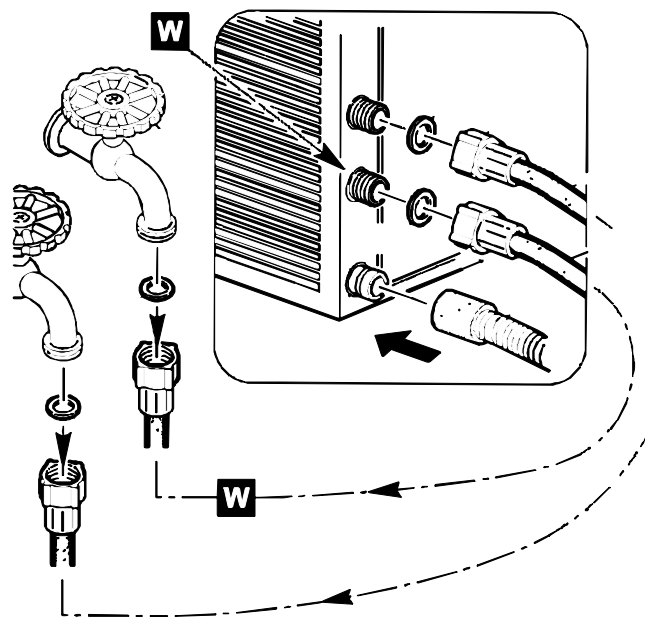
Without exerting excessive force in order not to risk cracking the unions, firmly tighten a threaded ring nut on the outlet of the solenoid valve located in the back of the ice cube maker.

The other threaded ring nut must be screwed to the water tap, this must be provided with a thread too.

Repeat the operation described above to make the connection of valve W.

## 5.7.2 Connection to water drain pipe

Fix the water drain pipe in the housing provided on the back of the appliance.



Make sure that:

- The internal diameter of the pipe is 22 mm.
- The water drain pipe is not throttled in any point throughout its length.
- The drain pipe presents a slope of at least 5 % on its entire length and there are no air pockets in the hose.
- Lead the drain pipe into an open drain trap, head of the pipe must stay over on drain trap.

## 5.8 Distance of other fixtures



Do not obstruct the ventilation and heat-dissipation grills, since poor aeration, in addition to reducing efficiency and causing poor operation, may also cause serious damage to the appliance.

Leave distance at least 50 mm from the sides and 100 mm from the back of the ice cube maker, to make sure that air conditioning is sufficient.

## 6. Main causes of operating failure

Should the appliance fail to produce ice, before calling on the Authorized Technical Service Centre, first check carefully that:

- The water supply tap provided in the installation phase is open.
- The electric power is reaching the appliance, the plug is properly inserted, and the corresponding switch is in the “on” position.
- In the event of excessive noise, check that the appliance does not come into contact with furniture or sheet metal that may cause noise or vibrations.
- Should any traces of water appear, check that the discharge hole of the container is not obstructed, that the water feed and discharge pipes are correctly connected up and do not present any throttling or damage.

Once the above checks have been made, if the appliance were still to present malfunctioning, switch off the power supply via the switch provided during the installation phase, pull out the plug from its socket, close the tap connecting the appliance up to the water supply, and call the nearest Authorized Technical Service Centre.

In order to obtain a faster and more efficient intervention, when you call the Centre, indicate the model of the appliance precisely, and its serial number. These can be read on the matriculation label stuck on the rear of the appliance or on the cover of this manual.

MALFUNCTION	Possible cause	Operation
Ice-cube maker does not function	Appliance does not function	Check power supply
	Thermostat in the container does not func.	Change the thermostat
	Safety thermostat of the condenser does not function.	Change the thermostat
	Safety pressure switch has cut off (C300)	Settle the pressure switch
	Contacteur does not function/burned down	Change contactor
Appliance functions, but does not make proper ice	There is no coolant gas	Find leakage, fix it, vacuumize and fill up
	Warm gas valve leaks	Fix or change the valve
	Compressor does not pump	Change the compressor
	Air condensed models	Check the fan, change if needed
	Condenser fan does not function	Check the function. of the pressure switch
Water basin receives no water	Solenoid valve does not open or is blocked	Change the valve
	Slide pulse does not open the valve	Change the slide pulse
Water basin has no water or water runs out during cycle	Overflow pipe of the basin is on a too low level	Set the pipe on the right level or renew it
	Dirty nozzles	Clean or change the nozzles



## Main causes of operating failure

	Water basin leaks	Find the leakage and fix/change the basin
	Sieve of the water valve is blocked	Clean the sieve
Water spraying does not function	The water pump does not function	Check the pump, change if needed
	The suction sieve of the water basin is obstructed	Clean the sieve
	The waterpipes are obstructed	Clean the waterpipes
	The nozzles are obstructed	Clean the nozzles
Appliance does not stop when the container is filled	The thermostat of the ice-cube container	Check the probe, adjust/change the thermostat
Safety thermostat for overheating stops the appliance	The water supply valve does not open	Change the pressure switch Check the valve, change if needed
	The water condenser is obstructed	Clean the water condenser (slime removal)
	The appliance receives no water	Check the water supply
Appliance stays in function during the cooling phase	malfunctioning thermostat of the evaporator	Change the thermostat
	The reel of the warm gas cooling valve	Change the reel
	The slide pulse is stuck	Change the slide pulse
Collects ice under the evaporator or frozes throughout	Malfunctioning thermostat of the evaporator	Change the thermostat
	Warm gas valve leaks	Change valve
	The slide pulse is stuck	Change the slide pulse
	The apparatus has not enough liquid	Find leakage, fix it, vacuumize and fill up
Irregular or incomplete melting	Lack of water	Check water supply of the evaporator
	Not enough liquid	Find leakage, fix it, vacuumize and fill up
	Dirty evaporator	Clean the evaporator (cautiously)
	The water valve does not get closed	Change the valve Change the RC-cover of the pressure switch
Lack of water	Water supply or drain pipe is not connected	Check the connections
	The water pump leaks	Change the pump
	Bad pipe connections	Check the pipe connections
	Plastic drain water coupler is broken	Check fix/change
Irregular ice cubes	Lime containing water	
	The nozzles are improperly directed	Aim the water jet in the middle of the cup
Noisy or leaking water pump	Malfunctioning bearings	Change the pump
	Mounting of of the pump/plate is loose	Check the attachment of the pump
	Malfunctioning axial seal	Change the pump
	Seal in the pump chamber leaks	Change pump
Compressor is noisy or functions irregularly	Malfunctions in the electrical system	Check the electrical system
	Start condenser is malfunctioning	Change the condenser
	Start relay is malfunctioning	Change the relay
	Uneven start	Change the compressor
	Shakes at start up	Change the compressor
	Extremely noisy functioning	Change the compressor
Water pump does not function	Malfunctioning electrical system	Check the mikroswitches of the slide pulse

## Main causes of operating failure

---

	Electric potential disturbance	Change the pumps run condenser
	The pump is mechanically stuck	Fix or renew the pump
	The pump makes stops	Renew the pump
Ice cube production reduces	The condenser or the air filter is obstructed	Clean the condenser or the filter
	The water does not exit from the ice container	Drain water hose is throttled/blocked
	Not enough liquid	Find leakage, fix it, vacuumize and fill up
	The warm gas valve leaks	Fix or renew the valve
	The water valve leaks or changes the water	Renew the water solenoid valve
	The suction valves of the compressor leak	Renew the compressor
Melting phase does not function	Warm gas valve does not open	Check the valve, fix it or renew

## **8. Technical specifications**

**Electric diagram VB 250**

**Electric diagram VM500**

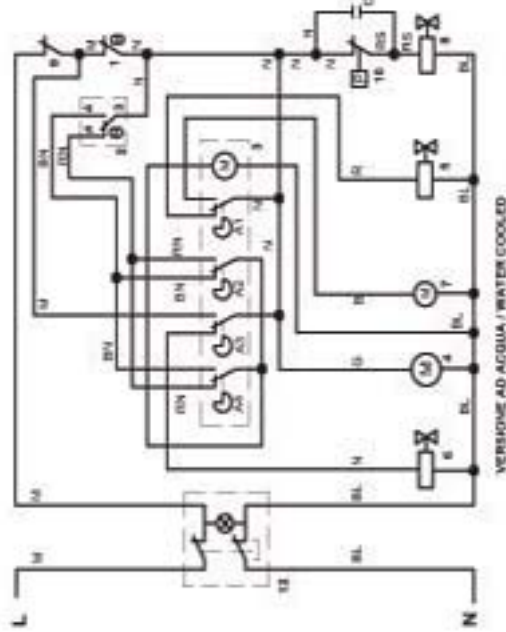
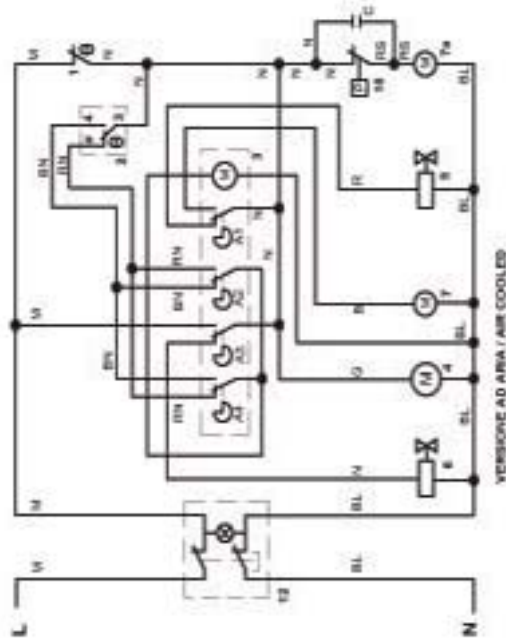
**Electric diagram VM900**

**Installation drawing VM500, 900**

**Installation on bin**

**Installation drawing VB250**

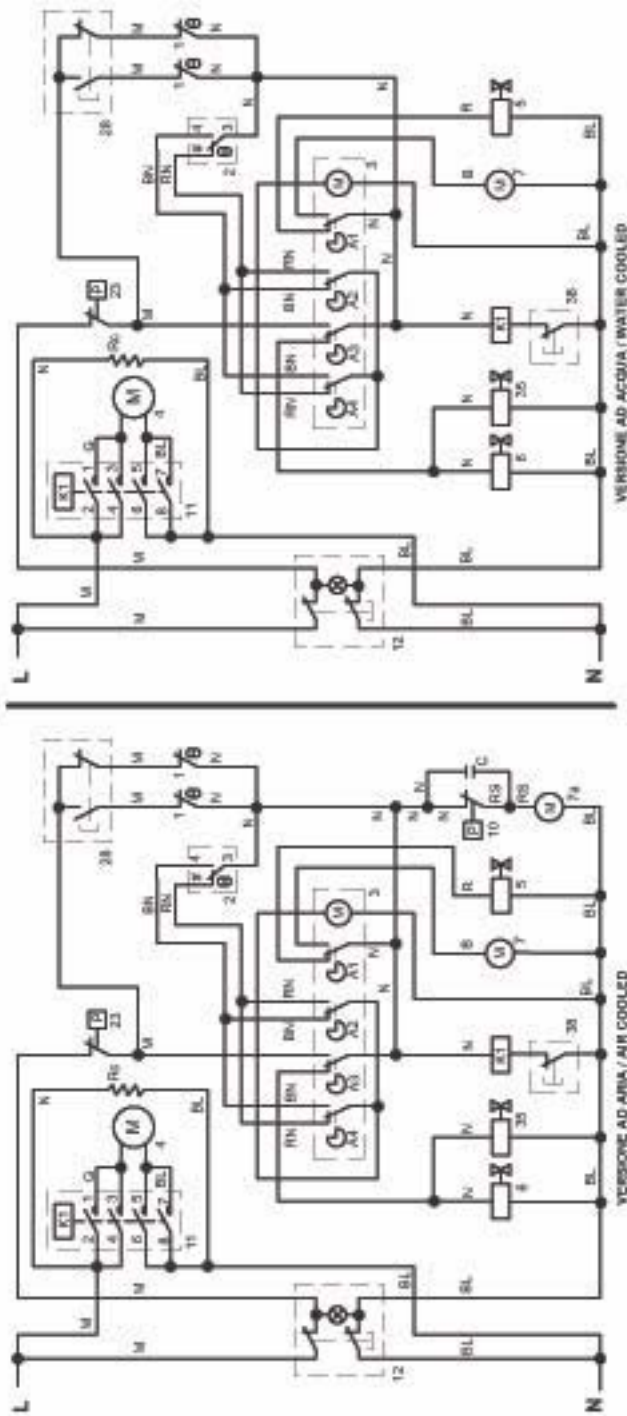
## SCHEMA ELETTRICO / ELECTRIC DIAGRAM



1. TERMOSTATO CONTENITORE BN THERMOSTAT	5. ELETTROVALVOLA GAS CALDO HOT GAS VALVE	8. ELETTROVALVOLA INGRESSO ACQUA PER CONDENSATORE WATER INLET VALVE FOR CONDENSER	B = BIANCO / WHITE BL = BLU / BLUE BN = BIANCO/NERO/WHITE/BLACK G = GRIGIO / GREY M = MARRONE / BROWN N = NERO / BLACK R = ROSSO / RED RN = ROSSO/NERO/RED-BLACK RS = ROSA / PINK
2. TERMOSTATO EVAPORATORE EVAPORATOR THERMOSTAT	6. ELETTROVALVOLA INGRESSO ACQUA PER EVAPORATORE WATER INLET VALVE FOR EVAPORATOR	9. TERMOSTATO DI SICUREZZA SAFETY THERMOSTAT	#6 = RAVCO K59 #2 = RAVCO K22
3. TEMPORIZZATORE TIMER	7. POMPA PUMP	10. PRESSOSTATO PRESSURE SWITCH	
4. COMPRESSORE COMPRESSOR	7a. MOTORELLATORE FAN MOTOR	12. INTERRUTTORE LUMINOSO SWITCH ON/OFF (GREEN LIGHT)	

Cod. 240114 - Rev. 03

# SCHEMA ELETRICO / ELECTRIC DIAGRAM

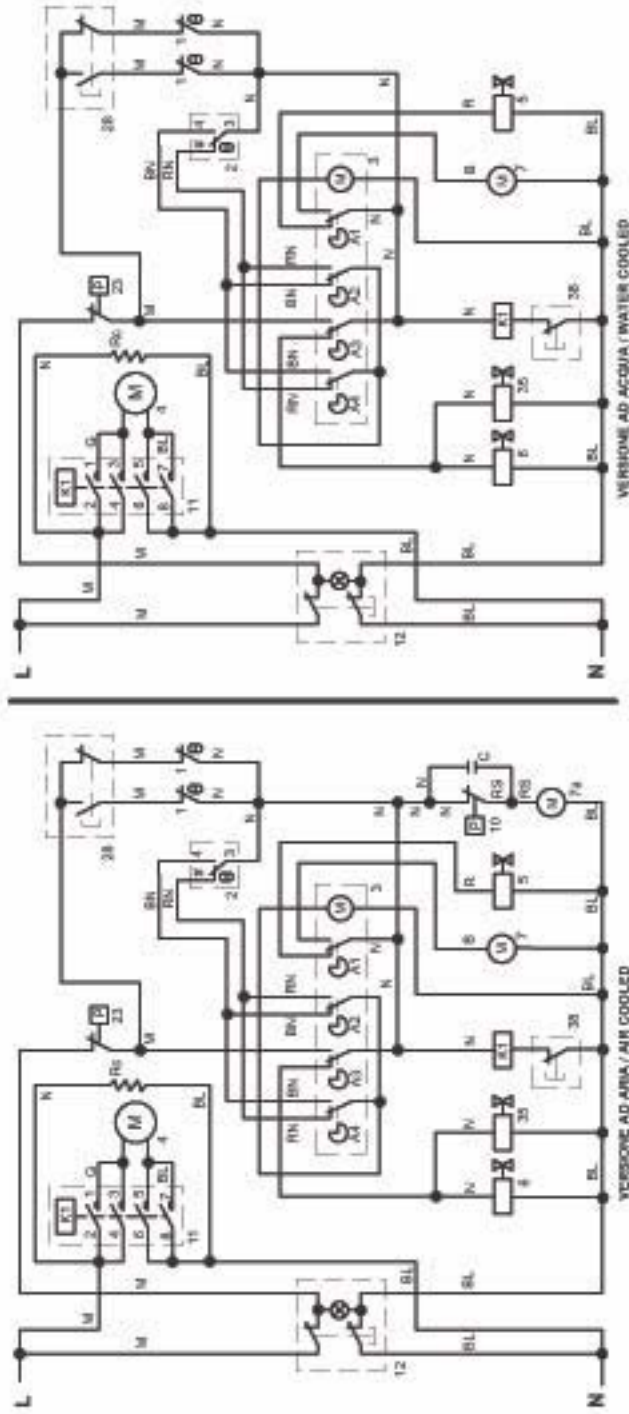


B = BIANCO / WHITE
BL = BLU / BLUE
BN = BIANCO/NERO/WHITE/BLACK
G = GRIGIO / GREY
M = MARRONE / BROWN
N = NERO / BLACK
R = ROSSO / RED
RN = ROSSO/NERO / RED-BLACK
RS = ROSA / PINK
# 6 = RANCO K59
# 2 = ATEA A33 - RANCO K81 - RANCO K22

1. TERMOSTATO CONTENITORE BN THERMOSTAT	7. POMPA PUMP	26. SELETTORE SELECTOR
2. TERMOSTATO EVAPORATORE EVAPORATOR THERMOSTAT	7a. MOTOVENTILATORE / MOTOVENTILATORI FAN MOTOR / FAN MOTORS	35. ELETTROVALVOLA SCARICO ACQUA BACINELLA WATER BASIN OUTLET VALVE
3. TEMPORIZZATORE TIMER	10. PRESSOSTATO PRESSURE SWITCH	38. INTERRUTTORE UNIPOLARE SINGLE-POLE SWITCH
4. COMPRESSORE COMPRESSOR	11. TELERUTTORE CONTACTOR	Rc. RESISTENZA DEL COMPRESSORE RESISTANCE OF COMPRESSOR WITH RESISTANCE
5. ELETTROVALVOLA GAS CALDO HOT GAS VALVE	12. INTERRUTTORE LUMINOSO SWITCH ON-OFF (GREEN LIGHT)	COMPRESSOR RESISTANCE (ONLY FOR COMPRESSOR WITH RESISTANCE)
6. ELETTROVALVOLA INGRESSO ACQUA PER EVAPORATORE WATER INLET VALVE FOR EVAPORATOR	23. PRESSOSTATO DI SICUREZZA SAFETY PRESSURE SWITCH	

Cod. 246375 - Rev. 02

# SCHEMA ELETTRICO / ELECTRIC DIAGRAM

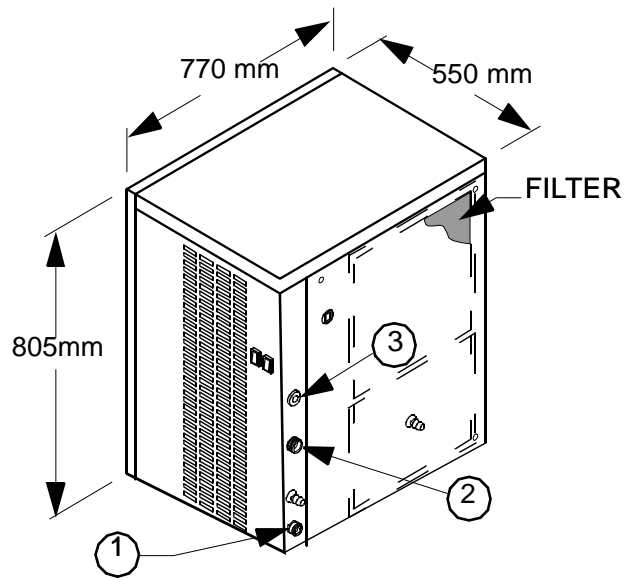


1. TERMOSTATO CONTENITORE BN THERMOSTAT	7. POMPA PUMP	28. SELETTORE SELECTOR
2. TERMOSTATO EVAPORATORE EVAPORATOR THERMOSTAT	7a. MOTOREVENTILATORE (MOTOVENTILATORI) FAN MOTOR / FAN MOTORS	35. ELETTROVALVOLA SCARICO ACQUA BACINELLA WATER BASIN OUTLET VALVE
3. TEMPORIZZATORE TIMER	10. PRESSOSTATO PRESSURE SWITCH	38. INTERRUTTORE UNIPOLARE SINGLE-POLE SWITCH
4. COMPRESSORE COMPRESSOR	11. TELERUTTORE CONTACTOR	R1. RESISTENZA DEL COMPRESSORE (SOLO PER COMPRESSORE CON RESISTENZA) COMPRESSOR RESISTANCE (ONLY FOR COMPRESSOR WITH RESISTANCE)
5. ELETTROVALVOLA GAS CALDO HOT GAS VALVE	12. INTERRUTTORE LUMINOSO SWITCH ON/OFF (GREEN LIGHT)	
6. ELETTROVALVOLA INGRESSO ACQUA PER EVAPORATORE WATER INLET VALVE FOR EVAPORATOR	29. PRESSOSTATO DI SICUREZZA SAFETY PRESSURE SWITCH	

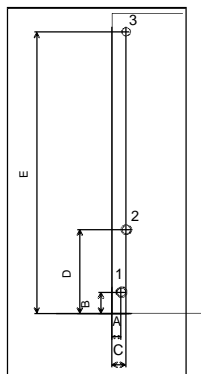
- B = BIANCO / WHITE
- BL = BLU / BLUE
- BN = BIANCO/NERO/WHITE/BLACK
- G = GRIGIO / GREY
- M = MARRONE / BROWN
- N = NERO / BLACK
- R = ROSSO / RED
- RN = ROSSO/NERO / RED-BLACK
- RS = ROSA / PINK

- # 6 = RANCO K59
- # 2 = ATEA33 - RANCO K81 - RANCO K22

Cod. 24575 - Rev. 02



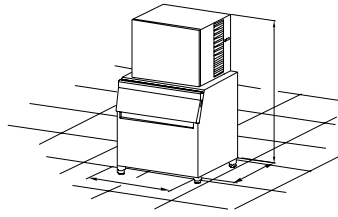
VM 500 - VM 900



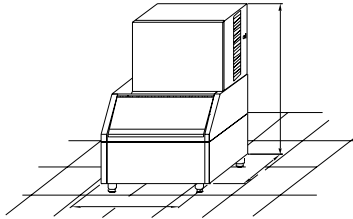
	VM 500	VM 900	
A	32	32	mm
B	40	40	mm
C	38	38	mm
D	252	252	mm
E	33	33	mm
F	323	323	mm

1. Water OUT, diam. 24mm
2. Water IN, diam. 3/4"
3. Power cable

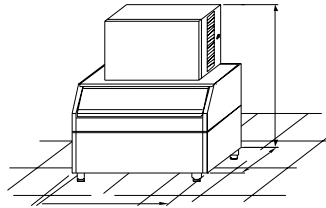
BIN 200 PL  
VM 500/900



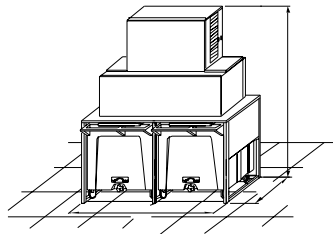
BIN 1180  
VM500/900



BIN T380  
VM500/900

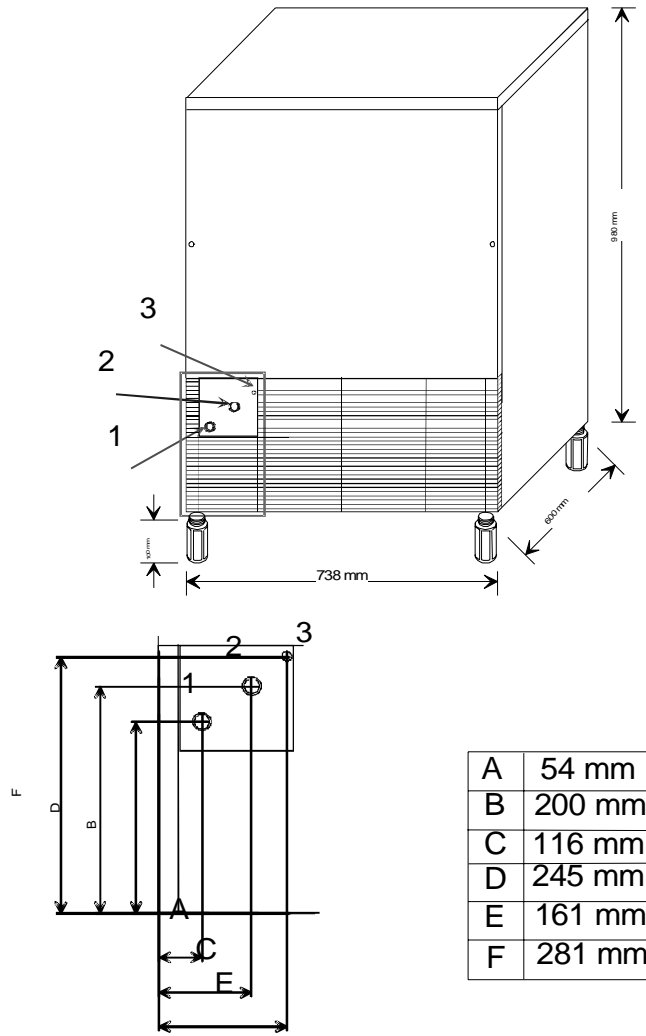


DOUBLE ROLLER  
BIN 100 VM500/900





VB 250



1. Water OUT, diam. 24mm
2. Water IN, diam. 3/4"
3. Power cable

## Technical specifications

Item	Model	Type	Specification
Production in 24h, till		500	200 kg
Production in 24h, till		900	400 kg
Cooling system		500	A,W
Cooling system		900	A,W
Kind of cube		500	7 g
Kind of cube		900	7 g
Fluid refrigerant		500	R404A
Fluid refrigerant		900	R404A
Useable bin		500	T180-VM500/900,T380-VM500/900,Double Roller Bin VM500/900
Useable bin		900	T180-VM500/900,T380-VM500/900,Double Roller Bin VM500/900
Standard voltage		500	220-240/1/50
Standard voltage		900	200-240/1/50
Input power		500	1600 W
Input power		900	3000 W
Water consumption	A	500	2,5 l/kg
Water consumption	A	900	1,8l/kg
Water consumption	W	500	13 l/kg
Water consumption	W	900	13 l/kg
Size (WxDxH)		500	770x550x805 mm
Size (WxDxH)		900	770x550x805 mm
Size (with packing) (WxDxH)		500	815x615x980 mm
Size (with packing) (WxDxH)		900	815x615x980 mm
Weight net		500	90 kg
Weight net		900	113 kg
Weight gross		500	99 kg
Weight gross		900	122 kg
Production in 24h, till		250	105 kg
Storage capacity		250	35 kg, ~5000 cubes
Cooling system		250	A,W
Kind of cube		250	7 g
Fluid refrigerant		250	R404A
Standard voltage		250	220-240/1/50
Input power		250	850 W
Water consumption	A	250	2,5 l/kg

## Technical specifications

---

Item	Model	Type	Specification
Water consumption	W	250	14,2 l/kg
Feet		250	100 mm
Size (WxDxH)		250	738x600x980 mm
Size (with packing) (WxDxH)		250	780x640x1085 mm
Weight net		250	75 kg
Weight gross		250	85 kg
Refrigerant R404A	A	250	480g
Refrigerant R404A	W	250	350g
Refrigerant R404A	A	500	950g
Refrigerant R404A	W	500	700g
Refrigerant R404A	A	900	1350g
Refrigerant R404A	W	900	780g

A=Air-condensed, W=Water-condensed  
 250=VB250A, 500=VM500, 900=VM900

B=~250V 16A 50Hz