

# metos

## COFFEE GRINDER

Tranquilo

---

### Installation and Operation Manual

---



---

S/N:

Rev.: 2.0

---



Dear Customer,

Congratulations on deciding to choose a Metos appliance for your kitchen activities. You made an excellent choice. We will do our best to make you a satisfied Metos customer like thousands of customers we have around the world.

Please read this manual carefully. You will learn correct, safe and efficient working methods in order to get the best possible benefit from the appliance. The instructions and hints in this manual will give you a quick and easy start, and you will soon note how nice it is to use the Metos equipment.

All rights are reserved for technical changes.

You will find the main technical data on the rating plate fixed to the equipment. When you need service or technical help, please let us know the serial number shown on the rating plate. This will make it easier to provide you with correct service.

For your convenience, space is provided below for you to record your local Metos service contact information.

METOS TEAM

Metos service phone number:.....

Contact person:.....



---

<b>1. General</b> .....	<b>1</b>
1.1 Symbols used in the manual .....	1
1.2 Symbols used on the appliance .....	1
1.3 Checking the relation of the appliance and the manual .....	1
<b>2. Safety</b> .....	<b>2</b>
2.1 General .....	2
2.2 Maintenance and repair .....	3
<b>3. Functional description</b> .....	<b>4</b>
3.1 Description of parts .....	4
<b>4. Operation instructions</b> .....	<b>5</b>
4.1 Before using the coffee grinder .....	5
4.2 Using the coffee grinder .....	6
4.2.1 Grinding coffee beans .....	6
4.2.2 Adjusting coffee grinding level .....	6
4.2.3 Maximum operating time .....	6
4.3 Cleaning and maintenance .....	7
4.3.1 Cleaning the hopper .....	7
4.3.2 Cleaning the grinding teeth .....	7
4.3.3 Cleaning the feeder .....	8
4.3.4 Cleaning the outer body of the coffee grinder .....	8
4.3.5 Grinder maintenance .....	8
<b>5. Installation</b> .....	<b>9</b>
5.1 Positioning of the appliance .....	9
5.2 Electrical connections .....	10
<b>6. Troubleshooting</b> .....	<b>11</b>
<b>7. Technical specifications</b> .....	<b>13</b>



# 1. General

Carefully read the instructions in this manual as they contain important information regarding proper, efficient and safe installation, use and maintenance of the appliance.

Keep this manual in a safe place for eventual use by other operators of the appliance.

The installation of this appliance must be carried out in accordance with the manufacturer's instructions and following local regulations. The connection of the appliance to the electric and water supply must be carried out by qualified persons only.

Persons using this appliance should be specifically trained in its operation.

Switch off the appliance in the case of failure or malfunction. The periodical function checks requested in the manual must be carried out according to the instructions. Have the appliance serviced by a technically qualified person authorized by the manufacturer and using original spare parts.

Not complying with the above may put the safety of the appliance in danger.

## 1.1 Symbols used in the manual



This symbol informs about a situation where a safety risk might be at hand. Given instructions are mandatory in order to prevent injury.



This symbol informs about the right way to perform in order to prevent bad results, appliance damages or hazardous situations.



This symbol informs about recommendations and hints that help to get the best performance out of the appliance.

## 1.2 Symbols used on the appliance



This symbol on a part informs about electrical terminals behind the part. The removal of the part must be carried out by qualified persons only.

## 1.3 Checking the relation of the appliance and the manual

The rating plate of the appliance indicates the serial number of the appliance. If the manuals are missing, it is possible to order new ones from the manufacturer or the local representative. When ordering new manuals it is essential to quote the serial number shown on the rating plate.

## 2. Safety

### 2.1 General



The coffee grinder is designed to be used only for grinding roasted coffee beans and dispensing the ground coffee obtained from the grinding process. For safety reasons, it should never be used for any other purposes.



Improper use of the machine for operations other than the above can constitute a safety risk to persons and to the equipment.

Never work the machine with wet hands or naked feet.

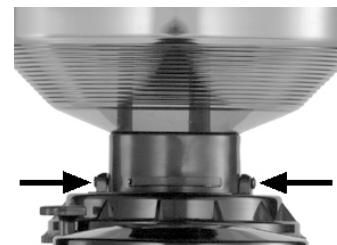
Avoid wetting the outer surface of the grinder. If it does get wet during operation, or even when not operating, unplug it immediately and dry it thoroughly.



Always put the hopper lid (1) in place after filling the hopper (2) with coffee beans and before turning on the grinder



It is very important for your safety to make sure before turning the coffee grinder on that the hopper (2) is well-attached to the adjustment platen (4) by means of the lockscrews (3). If not, when the coffee grinder is turned on, the grinding teeth starts to spin and can be easily touched with the fingers.



Never run the coffee grinder without the hopper (2) correctly in place and attached by the lockscrews (3).



Do not run the grinder continuously for more than 20 minutes at a time



When filling the hopper (2), make sure no objects (necktie, scarf, hair jewellery etc.) accidentally fall into the hopper or the adjustment platen.

A thermal protector prevents overheating of the electric motor coils, cutting off power when the temperature rises above the maximum admissible level due to a malfunction like continued blockage of the rotor



## 2.2 Maintenance and repair

If the machine does not function correctly, switch it off, turn off the main switch and call the service agent.

Only qualified and authorised servicing personnel should be called.

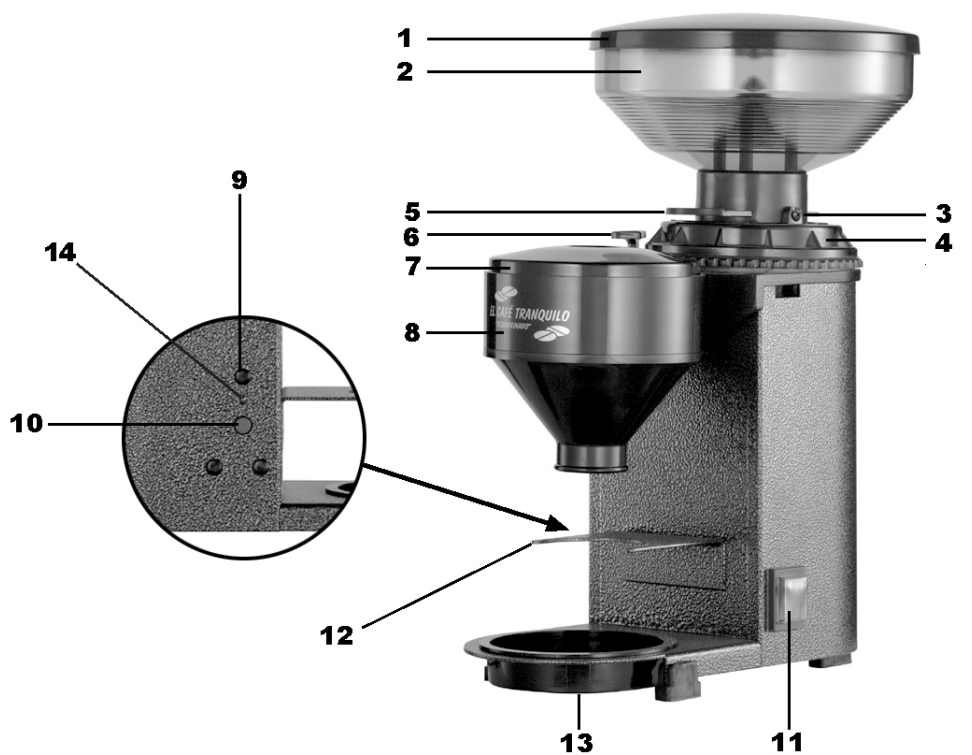
Use only original spare parts.

Maintenance activities performed by unqualified personnel may jeopardize the safety of the machine and the warranty.

If the electric cable is damaged, switch off the machine and apply to the servicing department for a replacement.

## 3. Functional description

### 3.1 Description of parts



- |  |                                    |
|--|------------------------------------|
| 1. Coffee bean hopper lid                      | 8. Ground coffee feeder            |
| 2. Coffee bean hopper                          | 9. Grinding timer                  |
| 3. Hopper-grinder adjustment platen lockscrews | 10. Start-button                   |
| 4. Grinder adjustment platen                   | 11. TOn/Off switch                 |
| 5. Trap for feeding beans to grinder           | 12. Coffee machine bushing support |
| 6. Grinder adjustment trigger                  | 13. Coffee collection tray         |
| 7. Ground coffee feeder lid                    | 14. Timer adjusting screw          |

## 4. Operation instructions

### 4.1 Before using the coffee grinder

Before using the coffee grinder for the first time, follow the instructions below to load the coffee beans:

Make sure the coffee bean hopper (2) is correctly placed and attached by the lockscrews (3) to the grinder adjustment platen (4).

Close the trap (5) preventing the beans from entering the grinder chamber.

Lift the hopper lid (1), fill the hopper (2) with coffee beans and close the lid.



Slide the trap (5) to its outer position letting the beans drop into the grinder chamber.



## 4.2 Using the coffee grinder

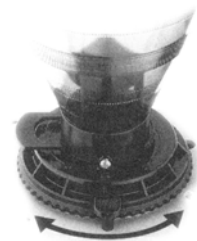
### 4.2.1 Grinding coffee beans

- Turn on the grinder power using the grinder On/Off switch (11)
- Place the coffee machine filter holder on the filter holder support (12), located right below the ground coffee feeder (8)
- Press the start-button
- The beans will pass through the grinder and a dose of ground coffee will fall through the ground coffee feeder (8) into the coffee machine filter holder.

The time regulator can be used to adjust the dose of ground coffee between a minimum of 5 g and a maximum of 12 g.

### 4.2.2 Adjusting coffee grinding level

You can adjust the degree of grinding (more finely/coarsely ground) by adjusting the grinder by means of the grinder adjustment platen (4) as follows:



To obtain more finely ground coffee

- Turn of the coffee grinder using the On/Off switch (11).
- Keep the adjustment trigger (6) pressed to free the adjustment platen (4) and turn the platen **TO THE RIGHT** as indicated by the “F” arrow on the platen (4)
- Release the adjustment trigger (6) and make sure the adjustment platen (4) cannot turn.

To obtain more coarsely ground coffee

- Turn of the coffee grinder using the On/Off switch (11).
- Keep the adjustment trigger (6) pressed to free the adjustment platen (4) and turn the platen **TO THE LEFT** as indicated by the “G” arrow on the platen
- Release the adjustment trigger (6) and make sure the adjustment platen (4) cannot turn.



If the adjustmet platen (4) is completely removed from its emplacement, the grinder teeth are fully exposed, with the consequent hazard if the grinder is turned on. Never operate the coffee grinder without all its moving parts correctly in place.

### 4.2.3 Maximum operating time



The coffee grinder should not be operated continuously for more than 20 minutes.

## 4.3 Cleaning and maintenance

It is very important to regularly clean the coffee grinder's different parts two times a month.



Before cleaning any parts of the coffee grinder (even the outer shell) make sure you turn it off using the On/Off switch (11) and unplug the grinder from the mains outlet



Never clean the coffee grinder using running water.



Never use abrasive cleaners or chemical solvents.

### 4.3.1 Cleaning the hopper

Turn off the coffee grinder using the On/Off switch (11)

Loosen the lockscrews (3) which fasten the hopper to the adjustment platen (4) and remove the hopper (2).

Clean the hopper using a highly diluted solution of dishwasher liquid in water. Always wash the hopper by hand, never place in the dishwasher.

Make sure the hopper is completely dry before re-attaching it and locking the screws (3).



### 4.3.2 Cleaning the grinding teeth

Use a round brush with semi-rigid bristles. The brush should be long enough to reach all parts. Try to use a brush exclusively for cleaning the coffee grinder and store it in a clean, dry place.

Turn off the coffee grinder using the On/Off switch (11)

Loosen the lockscrews (3) and remove the hopper (2).

Press the adjustment trigger (6) and keep it pressed to free the adjustment platen (4) and turn the platen towards the left, in the direction of the "G" arrow, until you remove the platen.

Clean the grinding teeth and all other elements in the housing using the brush, completely dry and without using any type of liquid.

Replace the adjustment platen (4) and turn it towards the right, in the direction of the "F" arrow, until reaching the grinding position you want (see chapter "Adjusting coffee grinding level").



### 4.3.3 Cleaning the feeder

Remove the feeder lid (7).

Use the brush, completely dry without using any type of liquid, to clean the inner surface of the feeder (8).

Replace the feeder lid (7).

### 4.3.4 Cleaning the outer body of the coffee grinder

If the outside of the coffee grinder becomes dirty, clean it with a soft cloth dampened in water. Remember to turn off the grinder using the On/Off switch (11) and unplug it before cleaning

### 4.3.5 Grinder maintenance



It is important to check the condition of the grinding teeth regularly. Wear of these pieces leads to lower ground coffee quality, more electrical consumption and hotter running of the electric motor.

To avoid these effects, the grinding teeth should be replaced when the coffee grinder has been used to grind 500 - 800 kg.

The replacement of the grinding teeth should be performed by authorized personnel only.

Check the state of the power cord, plug and On/Off switch (11) regularly. Should you observe any damage or wear, **DO NOT TURN ON THE COFFEE GRINDER**. Keep it unplugged and immediately contact service. **DO NOT TRY TO REPAIR IT YOURSELF**.

## 5. Installation

### 5.1 Positioning of the appliance

Place the grinder on a flat, stable surface, at a height which allows easy and safe operation.

For your convenience, place the coffee grinder near the coffee maker.

Do not place coffee grinder near running water or places where foreign objects can penetrate the interior of the machine.

Do not leave the coffee grinder near heat sources like radiators or air ducts, or where it can be subjected to direct sunlight, excess dust, rain, mechanical vibrations or impacts.

To avoid internal overheating, place the coffee grinder in a properly ventilated area.

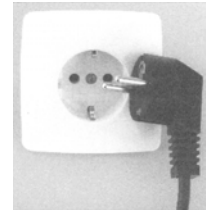
Keep these minimum clearances to ensure perfect operation of the coffee grinder, as well as for easy and safe use and cleaning:



## 5.2 Electrical connections

Before connecting the coffee grinder, make sure that the available electricity corresponds to the specifications on the data plate.

The coffee grinder must be connected to a grounded mains outlet meeting your countrys regulations. Non-fulfilment of this requirement may constitute a serious hazard to your health. The manufacturer may not be held liable for any injuries or harm caused by a non-grounded mains power outlet.





## 6. Troubleshooting

Problem	Cause	Solution
Coffee grinder doesn't start	No electric supply	Check the electricity supply. Check the position of the ON/OFF switch (1).
Coffee grinders grinding teeth don't turn	The problem is usually due to the presence of foreign objects in the coffee beans to be ground	Turn off the coffee grinder immediately and unplug the machine from the mains outlet.
		If you notice that the coffee grinder has overheated due to blockage of the grinding teeth, wait until cooled off completely
		Follow the grinder cleaning instructions to remove the foreign object.



## 7. Technical specifications

Item	Specification
Outer dimensions	135x285x380
Weight	10 kg
Electric connection	285 W 230V 1~6A
Speed	1300 r.p.m
Duration of teeth	500 - 800 kg
Hopper capacity	500 g
Dose adjustment	5 - 12 g