

metos

ROWLETT

TYPE: Rowlett 4, Rowlett 6, Rowlett 8

Installation and Operation Manual



Dear Customer,

Congratulations on deciding to choose a Metos appliance for your kitchen activities. You made an excellent choice. We will do our best to make you a satisfied Metos customer like thousands of customers we have around the world.

Please read this manual carefully. You will learn correct, safe and efficient working methods in order to get the best possible benefit from the appliance. The instructions and hints in this manual will give you a quick and easy start, and you will soon note how nice it is to use the Metos equipment.

All rights are reserved for technical changes.

You will find the main technical data on the rating plate fixed to the equipment. When you need service or technical help, please let us know the serial number shown on the rating plate. This will make it easier to provide you with correct service.

For your convenience, space is provided below for you to record your local Metos service contact information.

METOS TEAM

Metos service phone number:.....

Contact person:.....

1. General	7
1.1 Symbols used in the manual	7
1.2 Symbols used on the appliance	7
1.3 Checking the relation of the appliance and the manual	7
2. Functional description	8
2.1 Application of the appliance	8
2.2 Operating principle	8
2.3 Safety instructions	8
2.4 Constructions	8
3. Operation instructions	10
3.1 Before using the appliance	10
3.2 Use	10
3.2.1 General	10
3.2.2 Selector switch	10
3.2.3 Operation instructions	10
3.3 After use	11
3.3.1 Cleaning	11
3.3.2 Scheduled maintenance	11
3.3.3 Troubleshooting	12
4. Technical specifications	13

1. General

Carefully read the instructions in this manual as they contain important information regarding proper, efficient and safe installation, use and maintenance of the appliance.

Keep this manual in a safe place for eventual use by other operators of the appliance.

The installation of this appliance must be carried out in accordance with the manufacturer's instructions and following local regulations. The connection of the appliance to the electric and water supply must be carried out by qualified persons only.

Persons using this appliance should be specifically trained in its operation.

Switch off the appliance in the case of failure or malfunction. The periodical function checks requested in the manual must be carried out according to the instructions. Have the appliance serviced by a technically qualified person authorized by the manufacturer and using original spare parts.

Not complying with the above may put the safety of the appliance in danger.

1.1 Symbols used in the manual



This symbol informs about a situation where a safety risk might be at hand. Given instructions are mandatory in order to prevent injury.



This symbol informs about the right way to perform in order to prevent bad results, appliance damages or hazardous situations.



This symbol informs about recommendations and hints that help to get the best performance out of the appliance.

1.2 Symbols used on the appliance



This symbol on a part informs about electrical terminals behind the part. The removal of the part must be carried out by qualified persons only.

1.3 Checking the relation of the appliance and the manual

The rating plate of the appliance indicates the serial number of the appliance. If the manuals are missing, it is possible to order new ones from the manufacturer or the local representative. When ordering new manuals it is essential to quote the serial number shown on the rating plate.

2. Functional description

2.1 Application of the appliance

Metos Rowlett toasters are designed for toasting toast.

2.2 Operating principle

Metos Rowlett toasters are equipped with a conventional pop-up mechanism.

2.3 Safety instructions



The toaster is not to be used near curtains and other combustible materials.



Don't leave the toaster plugged into a socket when not in use. Always switch off at the plug.

Allow the toaster to cool before moving or cleaning it.

Don't use a knife or other sharp instrument for cleaning or removing sticking toast. It can be dangerous and can damage the machine.



If the power cable is damaged, unplug the plug and call a technical qualified person. Don't use the toaster.



Never immerse the toaster in water.

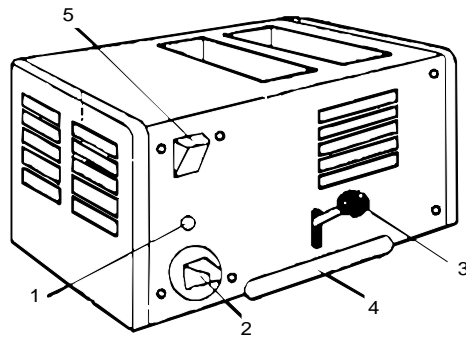


Do not heat plates or other vessels on the toaster. It can cause overheating and the toaster may catch fire.

2.4 Constructions

Metos Rowlett toasters construction are throughout stainless steel with a removable crumb tray at the bottom. Choose of four slice, six slice or eight slice models.

Functional description



1. Power indicator
2. Timer
3. Ejector lever
4. Crumb tray
5. Selector switch

3. Operation instructions

3.1 Before using the appliance

Make sure, that all the packaging items are removed before using.

3.2 Use

3.2.1 General



Use at least one day old bread for toasting, thickness about 12 mm (not thicker).

Don't use bread taken directly from freezer, let it melt it so that the moisture ratio equals to one day old bread.

There is no separate on/off switch on the toaster, it functions with a timer and starts when the bread is lowered into the toaster by using the ejector lever. Timer power indicator informs when the toaster is on.

The toaster is equipped with a selector switch for selecting slots.

3.2.2 Selector switch

Four slice toaster

When the switch is in position 2 it heats the two slots on the left and in position 4 all slots are heated.

Six slice toaster

The switch permits sequential heating of each pair of slots from the left side.

Eight slice toaster

The rotary slots switch permits sequential heating of each pair of slots from the left side.

3.2.3 Operation instructions

Make sure the plug is in the socket.

Choose how many slots you need.

Load bread into the toaster with ejector lever up.



Don't switch on the slots you don't need, it causes the slots to heat unequally. Always use all chosen slots.

Lower the ejector lever.

Set the timer for desired toasting, usually 1½ - 2½ min. The power indicator will light and the timer will start.

After the setted time, the timer turns off and the power indicator goes off.

The toast can be left in the toaster to keep warm. Lift the toast using the ejector lever.



Bread containing fruit or nuts can be toasted, but natural sugar present may cause them to stick. Those sticks must be cleaned immediately, because they cause annoying smoke and smell, and can damage the heating elements.

3.3 After use

3.3.1 Cleaning

To ensure efficiently operations, it is very important to keep the toaster clean.



Remove the toasters plug from the wall socket. Let the machine cool before cleaning.

Wipe all surfaces with proprietary stainless steel detergent and damp cloth. Don't use detergents which scratch surfaces and can damage the machine.



Empty regularly the crumb tray and clean well.

3.3.2 Scheduled maintenance

Any service and maintenance operations are to be carried out by a technical qualified person.

3.3.3 Troubleshooting

Any service measures must be carried out by qualified personnel only. The machine must be removed from electrical supply before any servicing.

PROBLEM	POSSIBLE CAUSE	MEASURES
The bread is too toasted from below.	The bread is too moisture or too cold.	Use only at least one day old and room temperature bread.
The toast sticks in the slot.	The slice is too thin or thick (curled up).	Don't use thicker slices than 12 mm
Elements wire is burn.	A too small peice of bread used for testing	Don't use thinner slices than 12 mm
The bread gets toasted only on one side	Electric element burn.	Call for service.

4. Technical specifications

Item	Type	Specification
Electric connection	Rowlett 4	230V1~2,4kW 16A
Electric connection	Rowlett 6	230V1~3,0Kw 16A
Electric connection	Rowlett 8	400V3N~4,3kW 10A
Size	Rowlett 4	370x210x225 mm
Size	Rowlett 6	460x210x225 mm
Size	Rowlett 8	385x450x360 mm
Max. capacity	Rowlett 4	195 slices per hour
Max. capacity	Rowlett 6	290 slices per hour
Max. capacity	Rowlett 8	390 slices per hour