

# metos

## WINE COOLER TFW

METOS  
TFW 160S, TFW 365-2S, TFW 375S

MG4116794, 4116798, 4116797

---

## Instruction manual

---



# Table of Contents

<b>1.</b>	<b>Important safety instructions</b> .....	<b>3</b>
<b>2.</b>	<b>Unpacking and installation</b> .....	<b>3</b>
<b>3.</b>	<b>Electrical connecting</b> .....	<b>4</b>
<b>4.</b>	<b>Use</b> .....	<b>4</b>
4.1.	Start-up of the cabinet.....	4
4.2.	Operation.....	4
4.2.1.	TFW 160S.....	4
4.2.2.	TFW 365-2.....	5
4.2.3.	TFW 375.....	6
4.3.	Water tray.....	7
4.4.	Carbon filter.....	7
2.1.	Changing position of shelves .....	8
2.2.	Door reversal .....	8
<b>5.</b>	<b>Maintenance and cleaning</b> .....	<b>10</b>
<b>6.</b>	<b>Service</b> .....	<b>10</b>
<b>7.</b>	<b>Disposal</b> .....	<b>10</b>

## 1. Important safety instructions

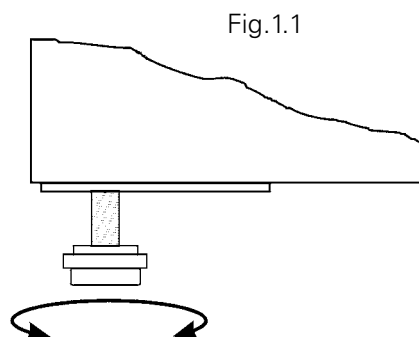


1. To obtain full use of the cabinet, we recommend reading this instruction manual.
2. It is the user's responsibility to operate the appliance in accordance with the instructions given.
3. Contact your dealer immediately in case of any malfunctions.
4. Place the cabinet in a dry and ventilated place.
5. Keep the cabinet away from strongly heat-emitting sources and do not expose it to direct sunlight.
6. Always keep in mind that all electrical devices are sources of potential danger.
7. Do not store inflammable material such as thinner, gasoline etc. in the cabinet.
8. We declare that no asbestos nor any CFC are used in the construction.
9. The oil in the compressor does not contain PCB.

## 2. Unpacking and installation

Remove the wooden pallet and the packing.

To ensure correct function it is important that the cabinet is level. The cabinet is supplied with legs, which can be adjusted. See fig. 1.1.



If you want to build in your cabinet please note the following:

1. There must be at least 10 cm free space above the cabinet in order for the cooling system to work satisfactorily.
2. There must be sufficient space at the hinge side to clean and replace the shelves and clean around the hinge.

### 3. Electrical connecting

The cabinet operates on 230 V/50 Hz.

The wall socket should be easily accessible.

All earthing requirements stipulated by the local electricity authorities must be observed. The cabinet plug and wall socket should then give correct earthing. If in doubt, contact your local supplier or authorized electrician.

The flexible cord fitted to this appliance has three cores for use with a 3-pin 13-Amp or 3-pin 15-Amp plug. If a B.S. 1363 (13-Amp) fused plug is used, it should be fitted with a 13-Amp fuse.

The wires in this mains lead are coloured in accordance with the following code:  
Green/Yellow: Earth, Blue: Neutral, Brown: Live.



The main electrical connections must be done by skilled electricians.

## 4. Use

### 4.1. Start-up of the cabinet

Before use, we recommend that the cabinet is cleaned, see the section on maintenance and cleaning.

#### Important !

**If the cabinet has been horizontally placed during transport, please wait 2 hours before starting up the cabinet.**



In order to ensure optimum function of the cabinet the ambient temperature must be between 18 and 35 °C.

### 4.2. Operation

#### 4.2.1. TFW 160S

Connect the cabinet to a socket and turn on the switch on the control panel (POWER), see fig. 2.0.

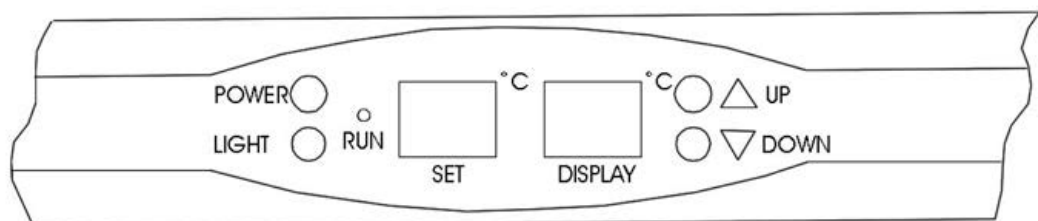


Fig. 2.0

When the cabinet is turned on, the displays show the current temperature's in the cabinet.

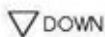
SET-display shows the set temperature

DISPLAY-shows the actual temperature in the cabinet



**Set new temperature:**

Press this key and the display will flash the set temperature. Every subsequent press on this key will increase the setting by 1 °C,



Every subsequent press on this key will lower the setting by 1 °C,

**Control lamps:**



Control lamp "Run" will turn on indicating compressor's running phase.

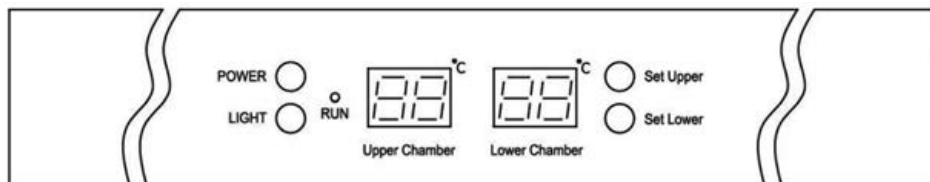


**Internal light:**

Press this key to turn on/off the internal light.

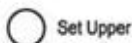
**4.2.2. TFW 365-2**

Connect the cabinet to a socket and turn on the switch on the control panel (POWER), see fig. 2.1



When the cabinet is turned on, the display will show the current temperatures in the cabinet's two chambers.

**Display set temperature:**

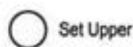


Press this key and the display will flash the set temperature for the upper chamber. After 5 seconds the thermostat will return to normal reading.

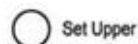


Press this key and the display will flash the set temperature for the lower chamber. After 5 seconds the thermostat will return to normal reading.

**Set new temperature:**



Press this key and the display will flash the set temperature. Every subsequent press on this key will lower the setting by 1 °C, from 12 °C to 5 °C and will start over again after that. When the required temperature is reached, wait for 5 seconds and the thermostat will return to normal reading.



Press this key and the display will flash the set temperature. Every subsequent press on this key will lower the setting by 1 °C, from 18 °C to 12 °C and will start over again after that. When the required temperature is reached, wait for 5 seconds and the thermostat will return to normal reading.



**Display temperature in °C/°F:**



Press these keys simultaneously for 5 seconds and display of temperature will change between Fahrenheit and Celsius.



### 4.2.3. TFW 375

Connect the cabinet to a socket and turn on the switch on the control panel (POWER), see fig.a 2.2

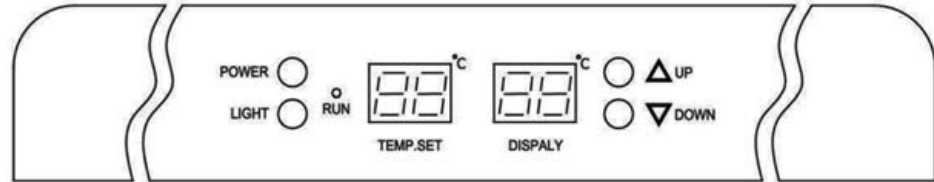


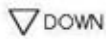
Fig. 2.2

When the cabinet is turned on, the display will show the current temperature in the cabinet.



#### **Set new temperature:**

Press this key and the set temperature will increase by 1°C for each pressure.



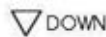
Press this key and the set temperature will decrease by 1°C for each pressure.



#### **Display temperature in °C/°F:**

Press these keys simultaneously for 5 seconds and display of temperature will change between Fahrenheit and Celsius.

+

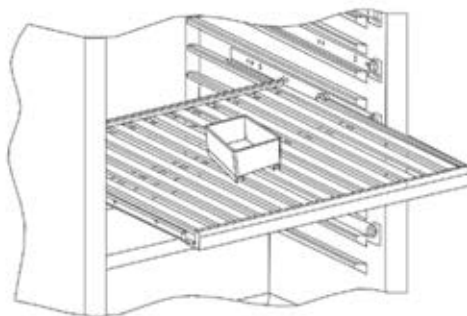


#### **Internal light:**

Press this key to turn on/off the internal light.

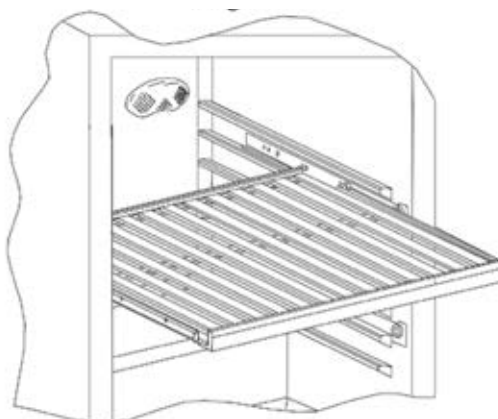
### 4.3. Water tray

In order to prevent drying up of the wine corks due to low humidity the cabinet is supplied with a water tray, which should be placed at the top shelf, see fig. 3.1



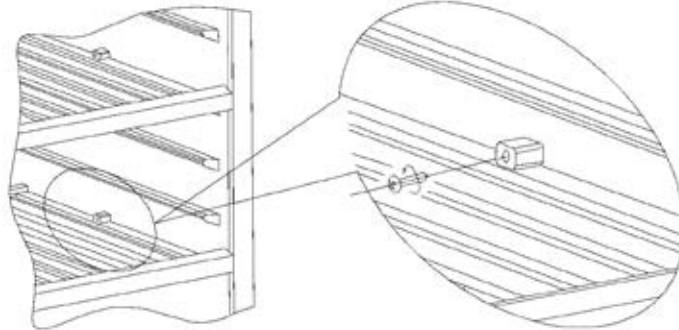
### 4.4. Carbon filter

The cabinet is supplied with a carbon filter to prevent bad smell. This is placed at the rear wall inside the cabinet, see fig. 3.2



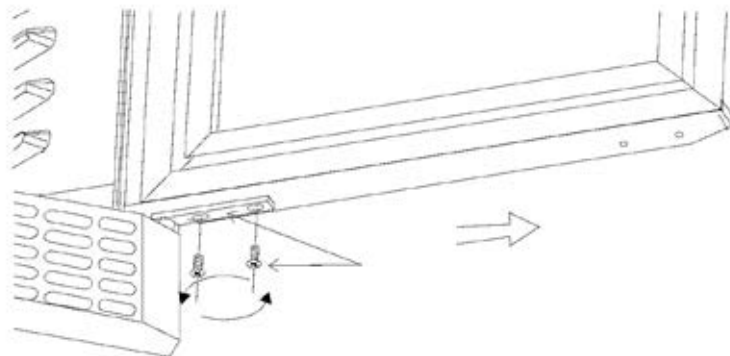
## 2.1. Changing position of shelves

Remove both stop blocks which are mounted with a cross-point screw. Then pull out the shelf, see fig. 3.4

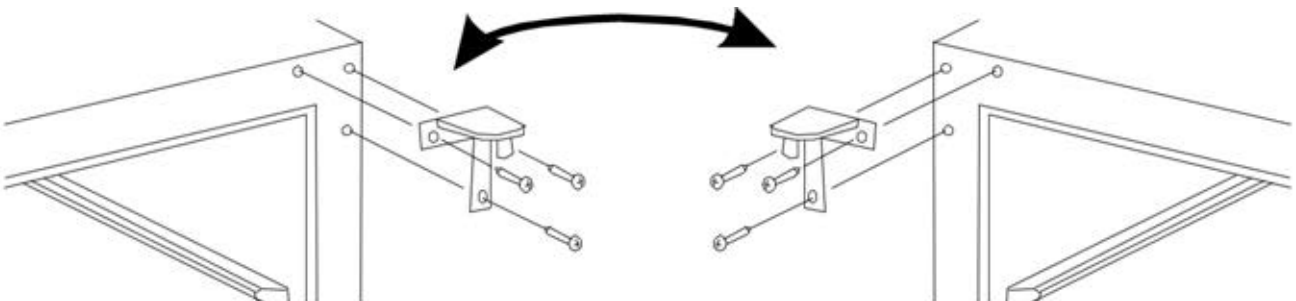


## 2.2. Door reversal

Open the door, remove the two screws in the bottom hinge and lift out the door, see fig. 3.5

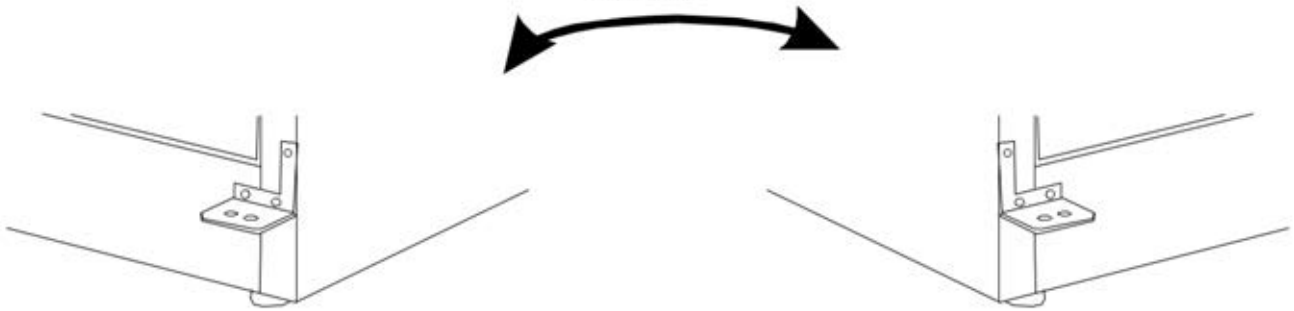


The enclosed top hinge should be fitted at the opposite side, see fig. 3.6

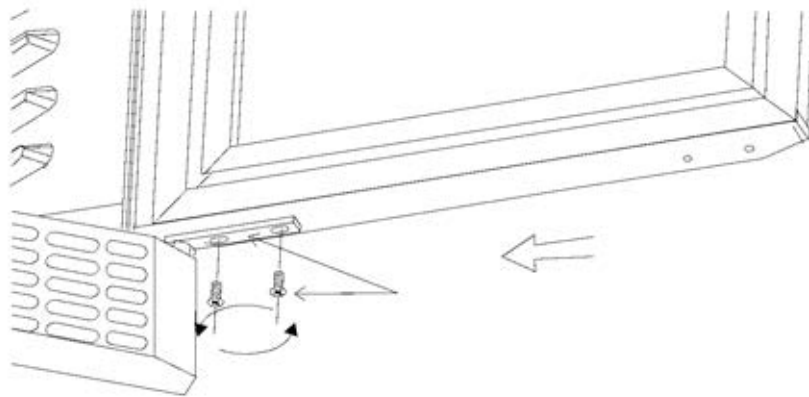




Move the bottom hinge to the opposite side, see fig. 3.7.



Replace the door on the bottom hinge and mount the screws again, see fig. 3.8



## 5. Maintenance and cleaning

**Switch the cooler off at the socket.**

The cabinet must be periodically cleaned. Clean the external and internal surfaces of the cabinet with a light soap solution and subsequently wipe dry. External surfaces can be maintained using steel oil.

Keep the fan cover clean by using a vacuum cleaner and a stiff brush.



**Do NOT use cleansers containing chlorine or other harsh cleansers, as these can damage the stainless steel surfaces and the internal cooling system.**



**Do NOT hose the compressor compartment with water as this can cause short circuits and damage on the electrical parts.**

## 6. Service

The cooling system is a hermetically sealed system and does not require supervision, only cleaning.

If the cabinet fails to cool, check if the reason is a power cut.

If you cannot locate the reason to the failure of the cabinet, please contact your supplier. Please inform model and serial number of the cabinet. You can find this information on the rating label which is placed on the back side of the cabinet on the left hand side.

## 7. Disposal

Disposal of the cabinet must take place in an environmentally correct way. Please note existing regulations on disposal. There may be special requirements and conditions which must be observed.





**metos**  
kitchen intelligence®