

Viking Combi 100 litres

Safe and reliable combi kettle for cooking and mixing

ELECTRIC MG4224206



metos
cooking solutions

Metos Cooking Solutions

Ahjonkaarre, FI-04220 Kerava, Finland

Tel. +358 204 3913

mcs@metos.com

mcs.metos.com



Standard features kettle with mixer

- Kettle with integrated mixer
- Stepless mixing speed 15-120 rpm, autoreverse
- Two mixing programs
- Elevated control pillar with selected features
- Tilting height 600 mm
- Electric tilting
- Safety grid lid
- Measuring stick

Wide range of accessories available.

Options

- Frames for fixed installation (custom heights on request)
- Free standing kettles with feet
- Cooking bowl cover plates welded and seamless with closed cell polyurethane foam insulation
- Alternative operating voltages
- Food temperature display
- Automatic measured food water filling
- Manual or automatic cooling with tap water
- Steam jacket automatic fill
- Connection to external HACCP system
- Hand showers, Standard, Reel-in or Heavy Duty
- Draw off valves and taps

Materials

- Construction stainless steel (EN1.4301, EN1.4404)
- Inner surface acid proof stainless steel
- Protection class IPX5

Volumes

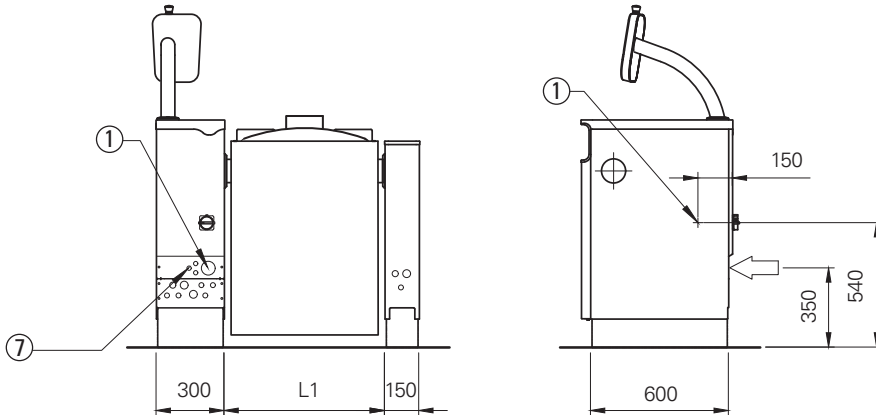
| Viking Combi | Brut L | Net L | Spare volume L |
|--------------|--------|-------|----------------|
| 100 | 111 | 100 | 11 |

Heat load

| Viking Combi | Total kW | Sensible kW | Latent kW |
|--------------|----------|-------------|-----------|
| 100 | 18.0 | 3.4 | 0.8 |

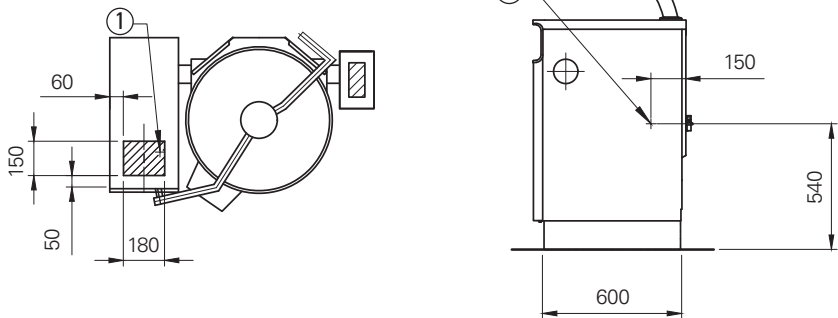
Viking Combi 100 litres

A. Electrical connections from rear

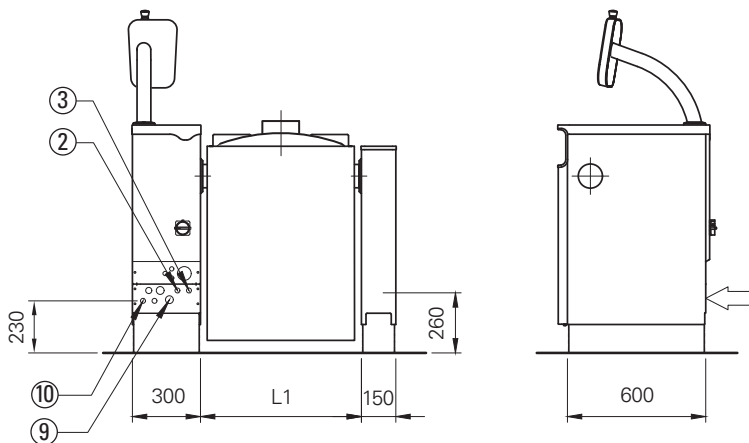


- 1. Electrical connection, PG21/PG36/PG48 gland
- 7. HACCP cabling (option)

B. Electrical connections from below

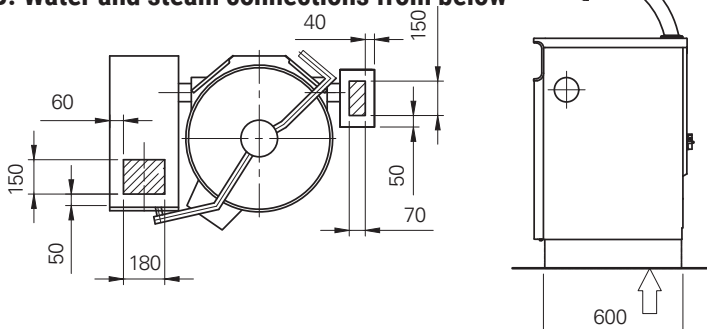


A. Water and steam connections from rear



- 2. Cold water connection R1/2" (ø15), to be fitted with non-return valve and shut off valve
- 3. Hot water connection R1/2" (ø15), to be fitted with non-return valve and shut off valve (option)
- 9. Steam connection R3/4" / R1" / R1 1/4" (option)
- 10. Condensate outlet R1/2" / R3/4" (option)

B. Water and steam connections from below



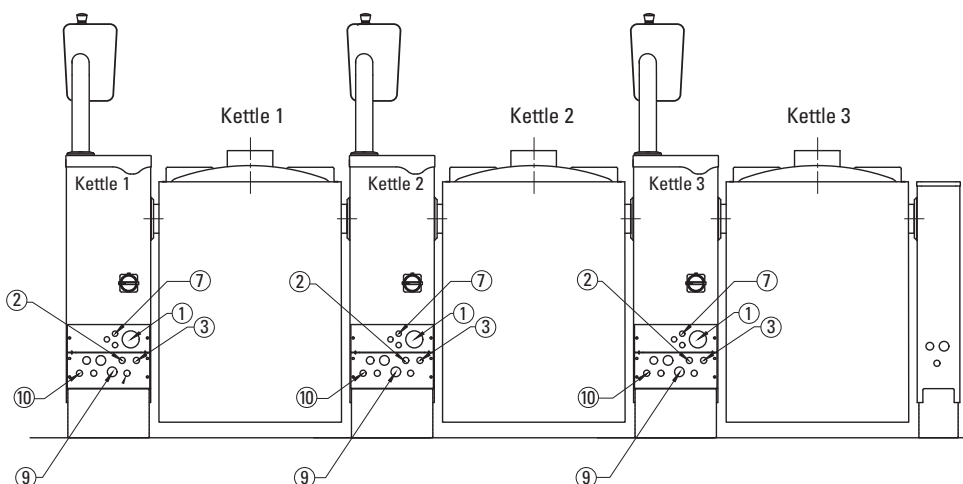
Viking Combi 100 litres

Electrical connections, ELECTRIC heated kettles

| Viking Combi | Connected power/kW | Current A | Fuse 3xA |
|--------------|--------------------|-----------|----------|
| 100E | 18.0 | 32 | 32 |

3/N/PE AC 400/230V 50/60Hz

Group installation connections

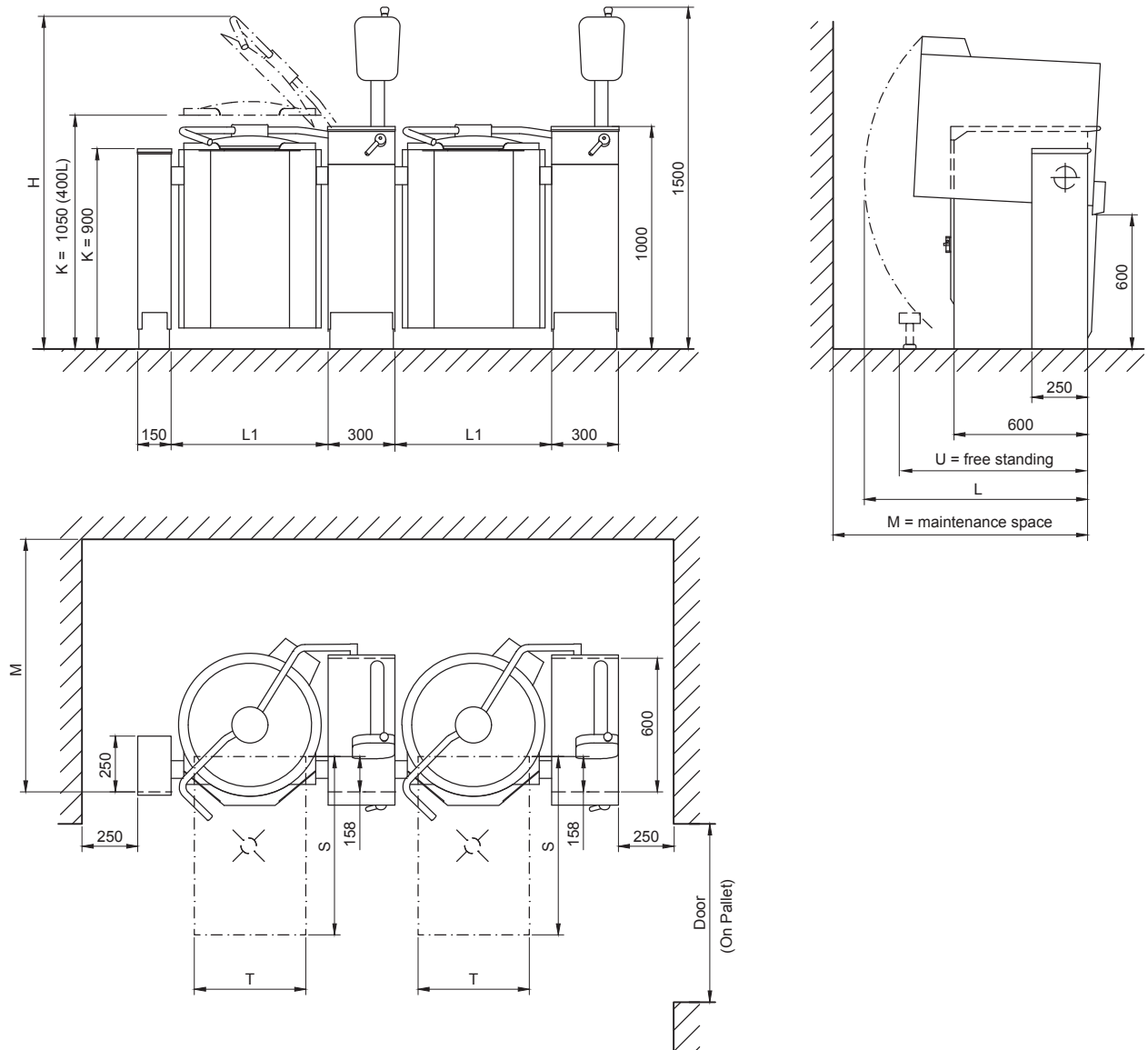


1. Electrical connection, PG21/PG36/PG48 gland
2. Cold water connection R1/2" (ø15), to be fitted with one way valve and shut off valve
3. Hot water connection R1/2" (ø15), to be fitted with one way valve and shut off valve (option)
7. HACCP cabling (option)
9. Steam connection R3/4" / R1" / R1 1/4" (option)
10. Condensate outlet R1/2" / R3/4" (option)

Viking Combi 100 litres



Dimensions



| Viking | L1 (mm) | H (mm) | K (mm) | L (mm) | M (mm) | S (mm) | T (mm) | U (mm) | Door (mm) | (On Pallet) Size varies according to installation frame | Viking Combi (kg) |
|--------|---------|--------|--------|--------|--------|--------|--------|--------|-----------|--|-------------------|
| 100 | 704 | 1745 | 900 | 1055 | 1235 | 800 | 500 | 890 | 800 | (900-1100) | 260 |

National and local regulations must be observed when installing the kettle.

an Ali Group Company



The Spirit of Excellence