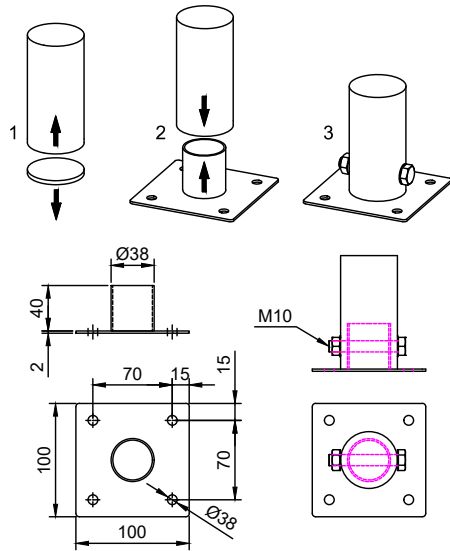
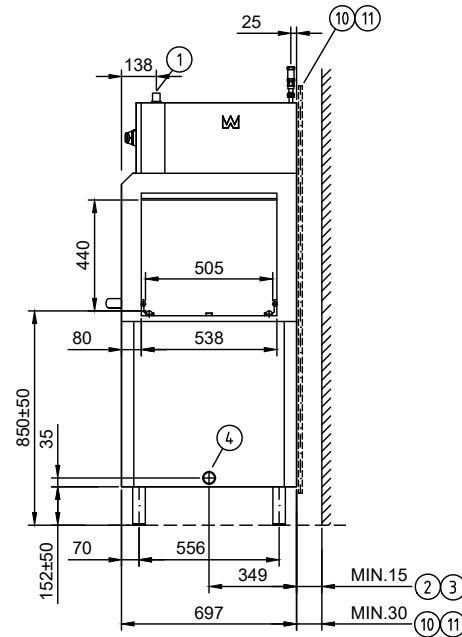


Marine foot plate installation

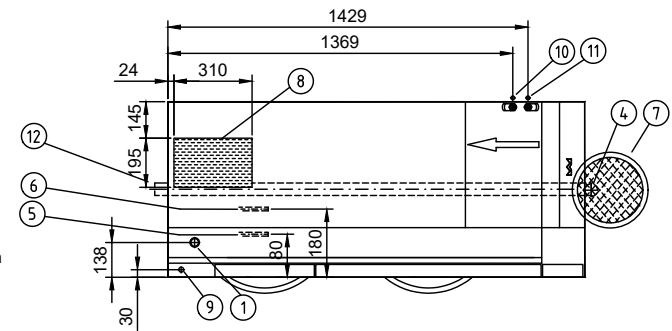
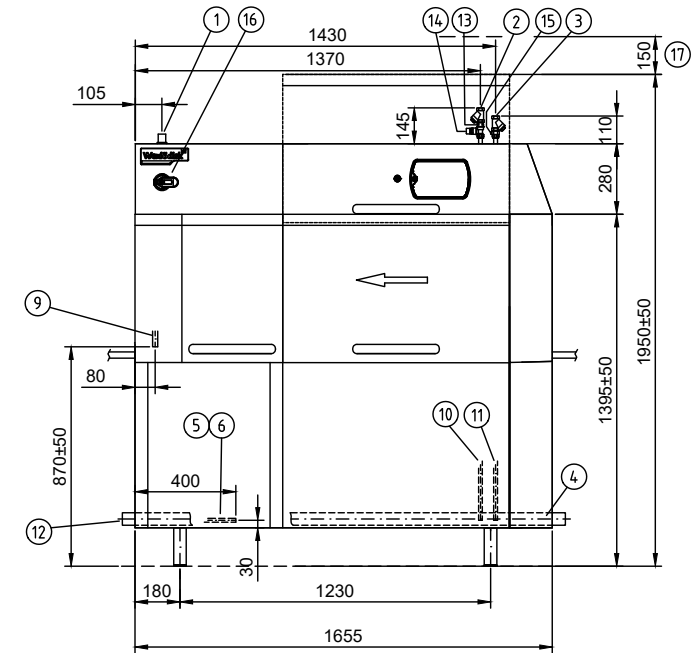
1. Remove the plastic plug from the dishwasher leg.
2. Put the marine footplate in and adjust the leg to the right height.
3. Drill a hole through the center of the leg and footplate and fix them together with M10 bolt.



| Code | Electric supply | P/kW | Fuse/A |
|-----------|------------------|------|--------|
| 4246275MM | 3PE AC 440V 60Hz | 32,6 | 50 |
| 4246275MK | 3PE AC 400V 50Hz | 32,6 | 50 |



1. Electrical connection: fixed
2. Cold water connection/filter R1/2" 250-600 kPa 11 l/min.
3. Hot water connection/filter R1/2" 100-600 kPa
4. Drain connection Ø50
5. Steam connection R3/4" (333-423 R1") 150-250 kPa
6. Condens water connection R3/4"
7. Sink 3l/sek.
8. Exhaust heat recovery unit
9. Alternative electrical connection
10. Alternative cold water connection R1/2" 250-600 kPa 11 l/min
11. Alternative hot water connection R1/2" 100-600kPa
12. Alternative drain connection Ø50
13. Non return valve
14. Vacuum valve
15. Output detergent dosing
16. Main switch
17. Service clearance



| | | | |
|--|---------------|--|--------------------------------|
| Vers. | Muutos: | Pvm. | Suun. |
| Tämä piirustus on Metos Oy Ab:n omaisuutta, kopiointi tai osittainenkin jäljentäminen ilman Metos Oy Ab:n lupaa on ehdottomasti kielletty. This document may not be copied in part or in whole by any process nor passed on to a third party without the written permission of the owner Metos Oy Ab. | | | |
| Suun. | www.metos.com | Kaupalliset asiat: | Työmaa-asiat: |
| Suhde: | 1: 30 A4 | Proj.no | Tarj./Alausno. Pvm. 08.12.2023 |
| | | Nimitys Rack conveyor machine METOS WD-151E TOUCH R-L | |
| | | Piiir.no | |
| Metos Oy Ab FI-04220 KERAVA Tel: 0204 39 13 Fax: 0204 39 4432 | | Lehti | |