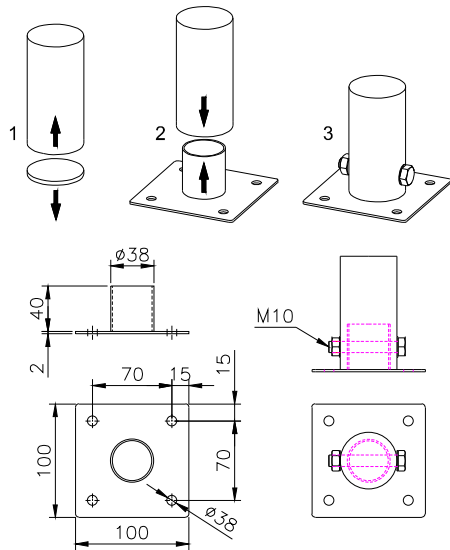
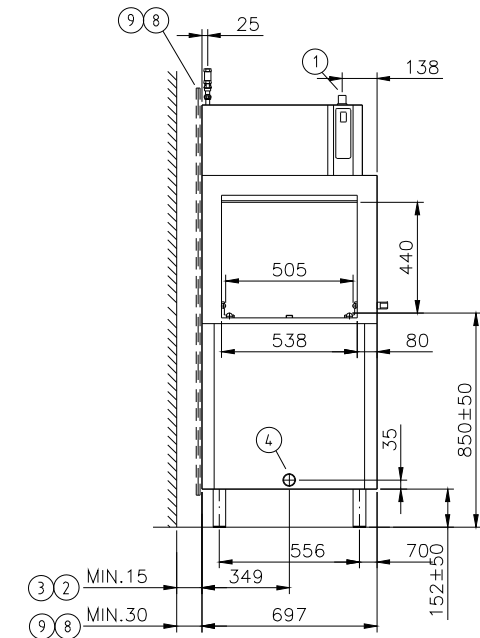
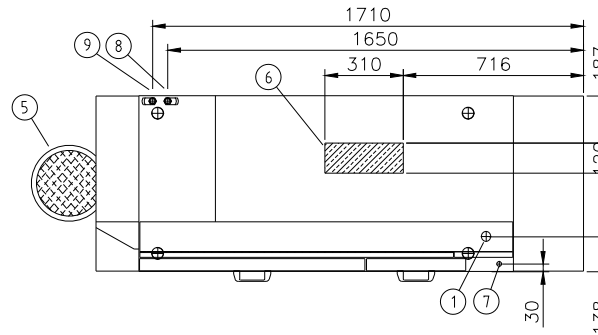
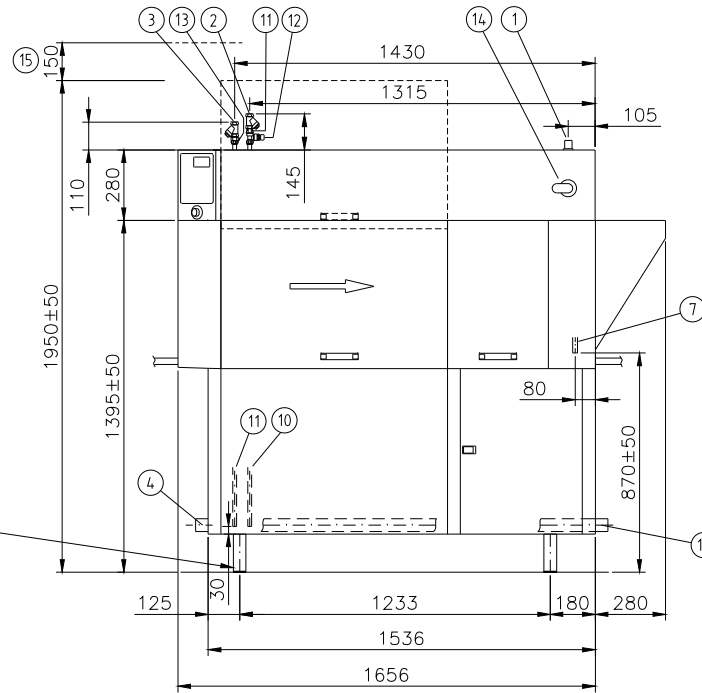


Marine footplate installation

1. Remove the plastic plug from the dishwasher leg.
2. Put the marine footplate in and adjust the leg to the right height.
3. Drill a hole through the center of the leg and footplate and fix them together with M10 bolt (bolts not included) .



- ① Electrical connection: fixed, cable gland PG36, cable not included
- ② Cold water connection/filter: int. R1/2", pressure 250-600 kPa, 11 l/min.
- ③ Hot water connection/filter: int. R1/2", pressure 100-600 kPa
- ④ Drain connection: $\varnothing 50$
- ⑤ Sink: 3l/sek.
- ⑥ Exhaust heat recovery unit
- ⑦ Alternative electrical connection
- ⑧ Alternative cold water connection: int. R1/2" 250-600 kPa 11 l/min
- ⑨ Alternative hot water connection: int. R1/2" 100-600kPa
- ⑩ Alternative drain connection: $\varnothing 50$
- ⑪ Non return valve
- ⑫ Vacuum valve
- ⑬ Output detergent dosing
- ⑭ Main switch
- ⑮ Service clearance



Code	Electric supply	P/kW	I/A	Fuse/A
4246212MM	3PE AC 440V 60Hz	32,6	42,8	50
4246212MK	3PE AC 400V 50Hz	32,6	47,1	50

Vers. Ind.	Muutos: Alteration:	Pvm. Date	Suun. Design.
Tämä piirustus on Metos Oy Ab:n omaisuutta, kopiointi tai osittainenkin jäljentäminen ilman Metos Oy Ab:n lupaa on ehdottomasti kielletty. This document may not be copied in part or in whole by any process nor passed on to a third party without the written permission of the owner Metos Oy Ab.			
Suhde: Scale:	1: 30 A4	Suun. Design. www.metos.com/	Tori./tilausno. Inq./order nr. Pvm. Date 31.10.2016
		Nimitys Name Dishwasher WD 151E L-R	
		Proj.no	Piir.no Dwg.no. Vers.Ind. Lehti Page
Metos Oy Ab FI-04220 KERAVA Tel: 0204 39 13 Fax: 0204 39 4432			