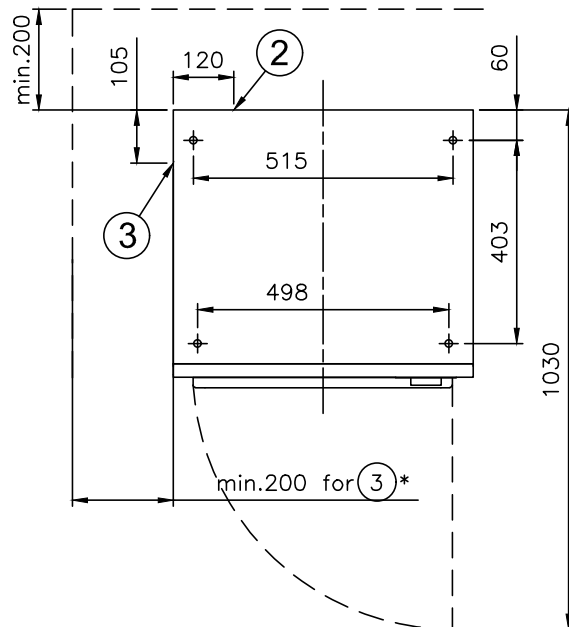


- ① Electrical connection: 230V, 1N, 60Hz, 2,35kW, 16A, cord length 1,2m
- ② Steam exhaust: \varnothing 100mm, Flexible exhaust duct \varnothing 100mm included, length 440-1940mm
- ③ *Alternative steam exhaust on the left side of the machine: \varnothing 100mm



Removable plastic leg and fixing clamp.
Fixing bolts not included.

Hole sizes in the bottom of the dryer
 \varnothing 15,5mm

Vers. Ind.	Muutos: Alteration:	Pvm. Date	Suun. Design.
Tämä piirustus on Metos Oy Ab:n omaisuutta, kopiointi tai osittainenkin jäljentäminen ilman Metos Oy Ab:n lupaa on ehdottomasti kielletty. This document may not be copied in part or in whole by any process nor passed on to a third party without the written permission of the owner Metos Oy Ab. www.metos.com			
Suhte: Scale: 1: 20 A4		Suun. Design.	Pvm. Date 02.08.2021
Nimitys Name		Proj.no Pllr.no Dwg.no.	
metos		Tumble dryer DV-70Q1K 230V 1N 60Hz	
Metos Oy Ab FI-04220 KERAVA Tel: 0204 39 13 Fax: 0204 39 4432		/ i4160984MU	
Vers.Ind.	Lehti Page		