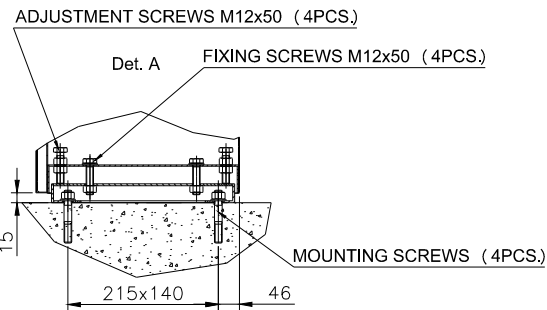
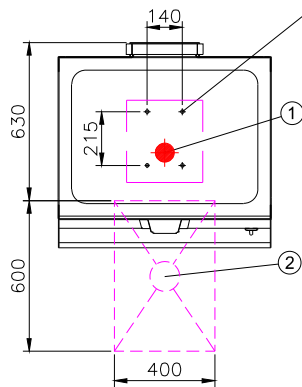


HOLES FOR MOUNTING SCREWS Ø14 (4PCS.)
(SCREWS NOT INCLUDED IN DELIVERY)



- ① Electric connection: Fixed, no cable included, lead through grommet DGC21
- ② Recommended floor drain/pit (not Metos delivery)

Code	Electric supply	P/kW	I/A	Fuse/A
3754428M	3/PE AC 440V 60Hz	9,6	12,6	16
3754418M	3/PE AC 400V 50Hz	10,5	15,2	16
3755403MO	3/PE AC 480V 60Hz	12,5	15	16
3754427M	3/PE AC 440V 60Hz	9,6	12,6	16
3754417M	3/PE AC 400V 50Hz	10,5	15,2	16

Vers. Ind.	Muutos: Alteration:	Pvm. Date	Suun. Design.
Tämä piirustus on Metos Oy Ab:n omaisuutta, kopiointi tai osittainenkin jäljentäminen ilman Metos Oy Ab:n lupaa on ehdottomasti kielletty. This document may not be copied in part or in whole by any process nor passed on to a third party without the written permission of the owner Metos Oy Ab.			
Suhde: Scale:	1: 30 A4	Suun. Design: www.metos.com/	Tori-/tilausno. Inq./order nr. Pvm. Date 29.11.2016
metos		Nimitys Name Bratt pan Prince 85D & 85L	
Metos Oy Ab FI-04220 KERAVA Tel: 0204 39 13 Fax: 0204 39 4432		Proj.no /	Pir.no Dwg.no. /
		Vers.Ind.	Lehti Page