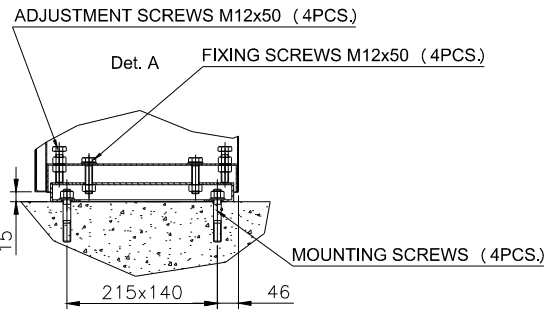
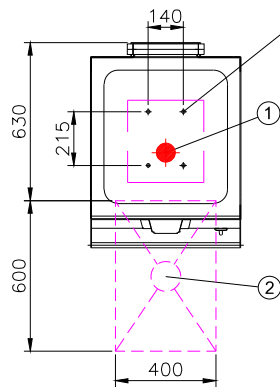


HOLES FOR MOUNTING SCREWS $\varnothing 14$ (4PCS.)
(SCREWS NOT INCLUDED IN DELIVERY)



- ① Electrical connection: Fixed, no cable included, lead through grommet DGC21
- ② Recommended floor drain/pit (not Metos delivery)

Code	Electric supply	P/kW	I/A	Fuse/A
3754426M	3/PE AC 440V 60Hz	6,9	9	10
3754416M	3/PE AC 400V 50Hz	7,5	10,9	13
3754426MO	3/PE AC 480V 60Hz	8,9	10,7	16
3754425M	3/PE AC 440V 60Hz	6,9	9	10
3754415M	3/PE AC 400V 50Hz	7,5	10,9	13

Vers. Ind.	Muutos: Alteration:	Pvm. Date	Suun. Design.
Tämä piirustus on Metos Oy Ab:n omaisuutta, kopiointi tai osittainenkin julkentaminen ilman Metos Oy Ab:n lupaa on ehdottomasti kielletty. This document may not be copied in part or in whole by any process nor passed on to a third party without the written permission of the owner Metos Oy Ab.			
Suhde: Scale:	1: 30 A4	Suun. Design. www.metos.com/	Tori./tilausno. Inq./order nr. Pvm. Date 29.11.2016
		Nimitys Name Bratt pan Prince 60D & 60L	
		Proj.no	Pir.no Dwg.no.
Metos Oy Ab FI-04220 KERAVA Tel: 0204 39 13 Fax: 0204 39 4432		Vers.Ind.	Lehti Page