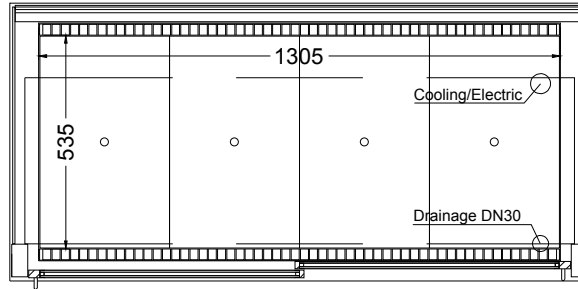


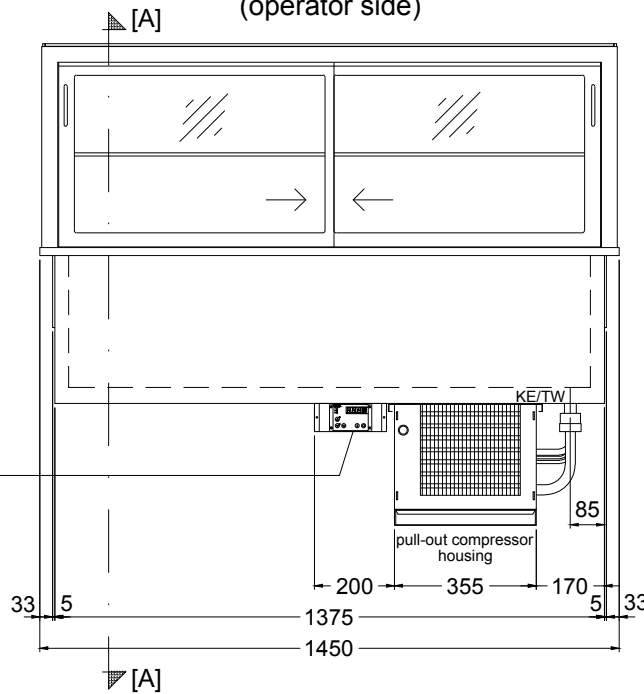
(floor plan)



Installation opening 1390x 670

The unit weighs 242 kg.
For easy installation, unit is recommended to slide in place. The operator or the customer side of the installation opening should be then removable.
Optional stands are also available.

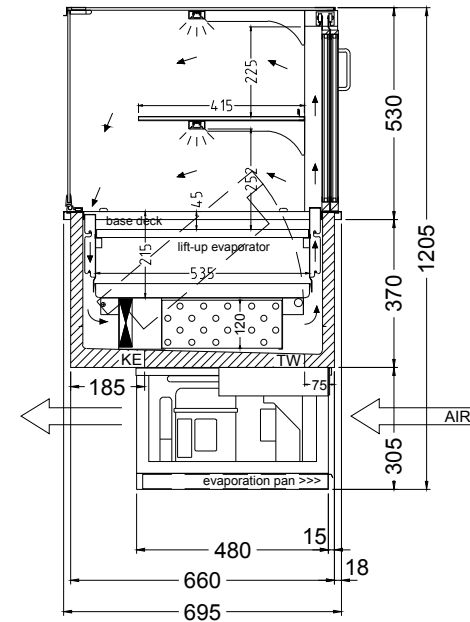
(operator side)



control unit

Digital display can be removed and mounted separately up to a maximum of 2 metres away from the power box. The required cut-out dimensions are 87,5 x 56,5 mm

(section view A-A)



Gastro GE-145-53-E
code 4000221