

## Metos Proff Refrigeration Basin and Cupboard

**Metos Proff refrigeration equipment series** are designed to meet the wide range of our customer needs. The whole structure of equipment is made out of stainless steel. The range of stainless steel tops is extensive. For the marine use the Proff-series is designed without any wooden structures. The sturdy adjustable legs are easy to clean. Legs have collars with two bolt holes. Proff units can be welded to the deck with the collar.

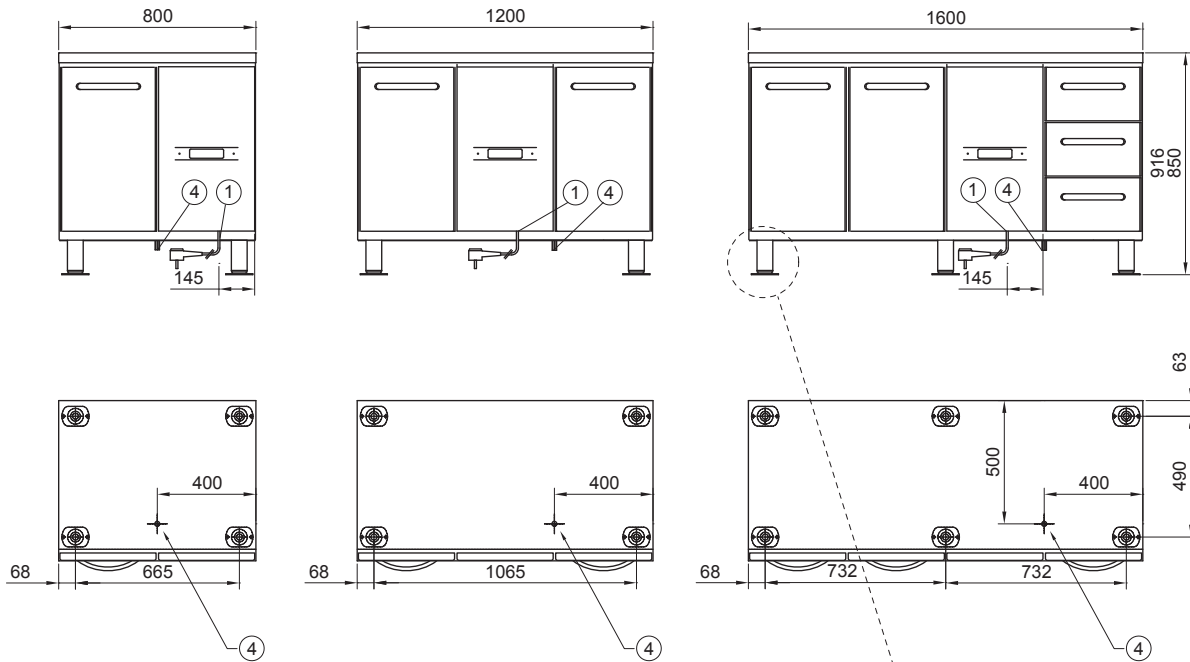
The cupboard doors close automatically. The doors have easily changeable gaskets and strong magnetic closing. The standard supply is with one intermediate shelf or GN guide rails. The basin depth is 160 mm. The uniform rounded-edge construction is ergonomic and easy to keep clean.

The efficient and reliable refrigerator cassette module can be serviced quickly. The condenser is conveniently cleaned at the front. Temperature range of the refrigerated units is +4...+15°C, when ambient temperature is +32°C and relative humidity 60%. The cooling agent is R404A.



Bottle basin	Dimensions mm	Capacity	230V~1 50/60Hz	Weight kg Net/Gross
BT-800-DSL-MPL	800x650x900	basin GN2/1, left-hand cupboard	0.6 kW 10A	89/110
BT-1200-DSL-MPL-DSR	1200x650x900	basin GN3/1, left- and right-hand cupboards	0.6 kW 10A	119/144
<b>Cold counter</b>				
NT-800-DSL-MPL	800x650x900	1 cupboards	0.6kW 10A	91/110
NT-1200-DSL-MPL-DSR	1200x650x900	2 cupboards	0.6kW 10A	86/110
NT-1600-DSL-DSL-MPL-DSR	1600x650x900	3 cupboards	0.6kW 10A	131/150

# Installation Drawing Metos Proff Cold



- 1. Electric connection
- 4. Drain Ø13 mm

Remote cooling

