

Metos Proff Refrigeration Drawers

Metos Proff refrigeration equipment series

include drawers for beverages, soft drinks, beer and wines. The whole structure of equipment is made out of stainless steel. The range of stainless steel tops is extensive. For the marine use the Proff-series is designed without any wooden structures. The sturdy adjustable legs are easy to clean. Legs have collars with two bolt holes. Proff units can be welded to the deck with the collar.

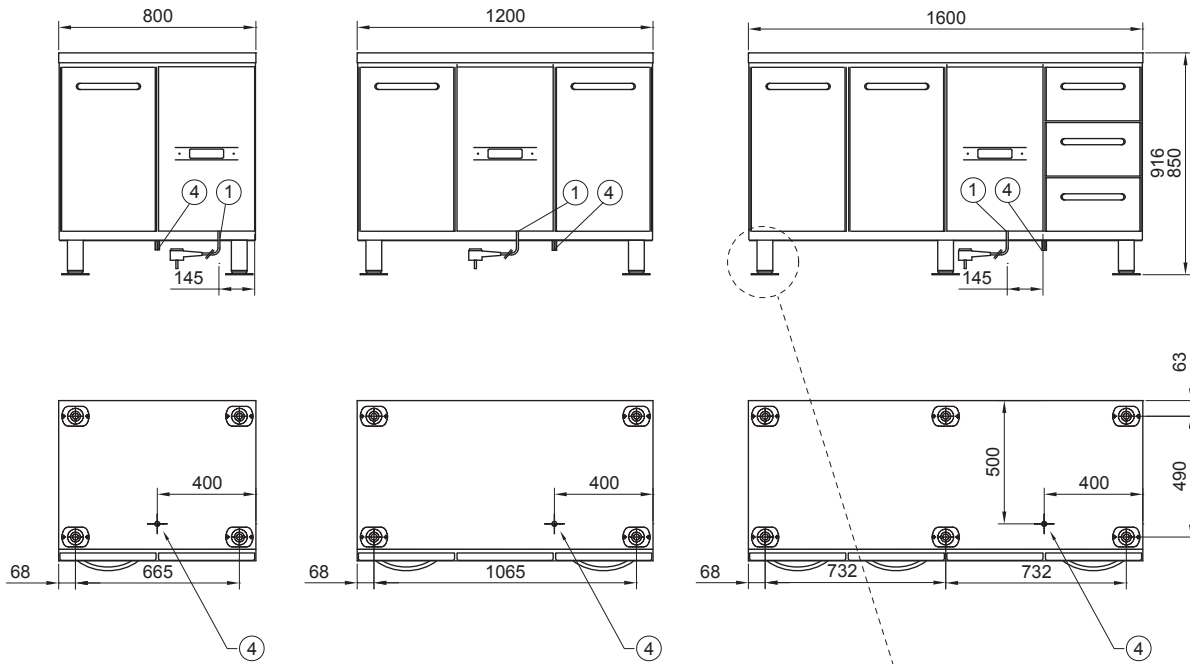
All drawers are equipped with locks that ensure drawers to stay closed even in hard conditions. The smoothly gliding telescopic runners can be removed for cleaning without tools.

The efficient and reliable refrigerator cassette module can be serviced quickly. The condenser is conveniently cleaned at the front. Temperature range of the refrigerated units is +4...+15°C, when ambient temperature is +32°C and relative humidity 60%. The cooling agent is R404A.



Cold drawer	Dimensions mm	Capacity	230V~1 50/60Hz	Weight kg Net/Gross
NT-800-GN3-MGH	800x650x900	4 pcs GN1/1-150 drawers	0.6 kW 10A	89/110
NT-1200-GN3-MGH-GN3	1200x650x900	7 pcs GN1/1-150 drawers	0.6 kW 10A	105/116
NT-1200-GN4-MGH-GN4	1200x650x900	8 pcs GN1/1-100 and 1 pc GN1/1-150	0.6 kW 10A	115/135
Grill drawer				
GR-800-GN2L-ML	800x650x650	2 pcs GN1/1-150 drawers	0.6 kW 10A	71/90
GR-1200-GN2L-ML-GN2L	1200x650x650	4 pcs GN1/1-150 drawers	0.6 kW 10A	92/111
GR-1600-GN2L-GN2L-ML-GN2L	1600x650x650	6 pcs GN1/1-150 drawers	0.6 kW 10A	120/141
Beverage drawer				
NT-800-BO2-MBO	800x650x900	3 beverage crate drawers (2 for wine)	0.6 kW 10A	89/110
NT-1200-BO2-MBO-BO2	1200x650x900	5 beverage crate drawers (4 for wine)	0.6 kW 10A	109/130
NT-1600-BO2-BO2-MBO-BO2	1600x650x900	7 beverage crate drawers (6 for wine)	0.6 kW 10A	131/150

Installation Drawing Metos Proff Cold



- 1. Electric connection
- 4. Drain Ø13 mm

Remote cooling

