

## Metos Proff Plate and Water Dispenser

**Metos Proff dispensing equipment series** are designed to meet the wide range of our customer needs. The whole structure of equipment is made out of stainless steel. For the marine use the Proff-series is designed without any wooden structures.

The sturdy adjustable legs are easy to clean. Legs have collars with two bolt holes. Proff units can be welded to the deck with the collar.

Metos Proff plate dispenser temperature adjustment range is 20-80°C. The dispenser has a stepless temperature regulation and easily adjustable spring pressure.

The plate dispensers take approximately 130 plates of max. diameter 270 mm or 65 plates of max. diameter 320 mm. The plate dispenser can be fitted with optional adjustment bars for adjusting plate diameter. The cover helps keeping the plates warm and protected from dirt.

Metos Proff WD water dispenser capacity is 60 litres/h. The top has a glass dispenser and a sink with a drain for drip water.

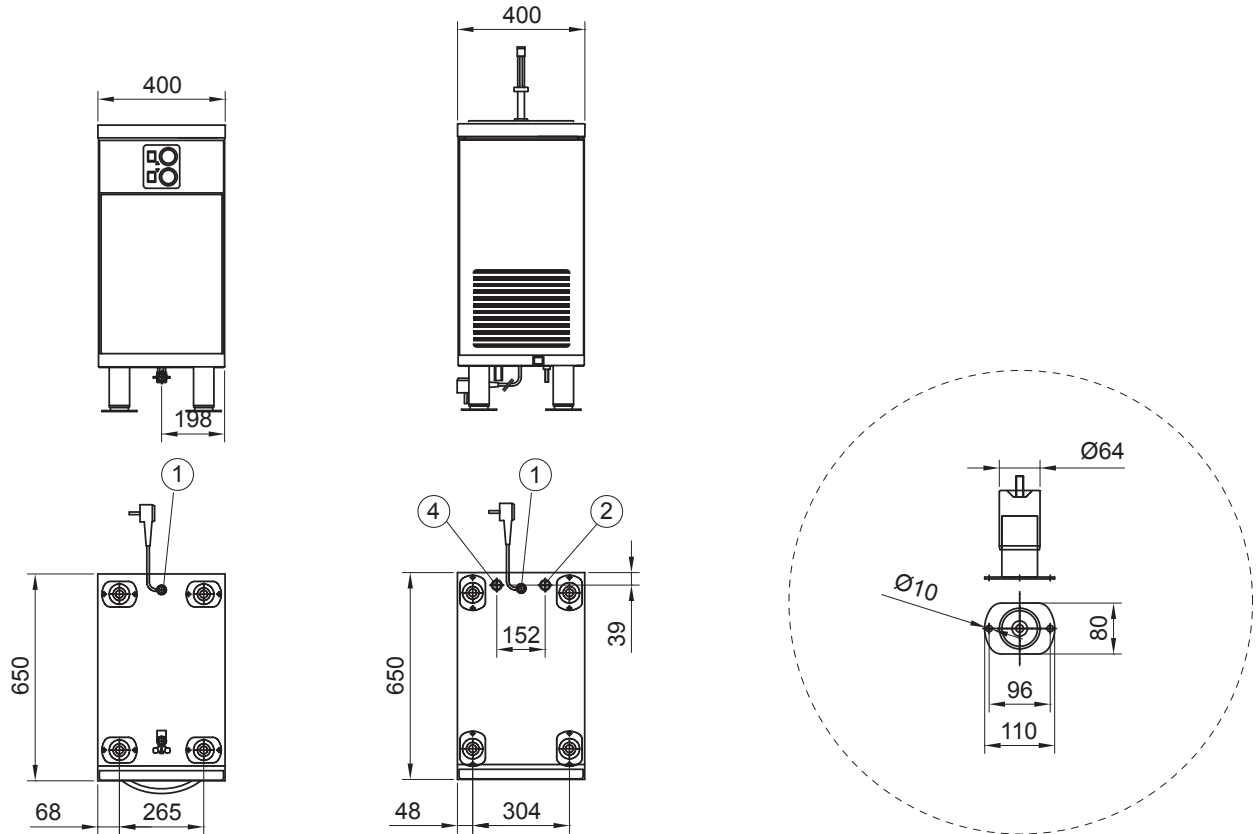
There are neutral models and electronic models with a sensor for water flow and the dosage can be easily adjusted for the present glass size.

All models can be fitted with water filter unit. The unit is assembled in the factory and it is to be ordered with the dispenser.



Plate dispenser	Dimensions mm	Capacity	230V~1 50/60Hz	Weight kg Net/Gross
Proff PD neutral	400x650x900	130, Ø270 mm	—	45/65
Proff PDW heated	400x650x900	130, Ø270 mm	0.7 kW 10A	45/65
Proff LPD neutral	400x650x900	65, Ø320 mm	—	45/65
Proff LPDW heated	400x650x900	65, Ø320 mm	0.7 kW 10A	45/65
<b>Water dispenser</b>				
Proff WD refrigerated	400x650x900	60 l/h	0.5kW 10A	45/50
Proff WD-E refrigerated, e-faucet	400x650x900	60 l/h	0.5kW 10A	46/51
Proff WD-N neutral	400x650x900	60 l/h	—	22/27
Proff WD-EN neutral, e-faucet	400x650x900	60 l/h	0.1kW 10A	22/27

# Installation Drawing Metos Proff Plate and Water Dispenser



1. Electric connection
2. Cold water connection Ø10mm
4. Drain Ø25mm

