

Cabin Refrigerator BCD-215V

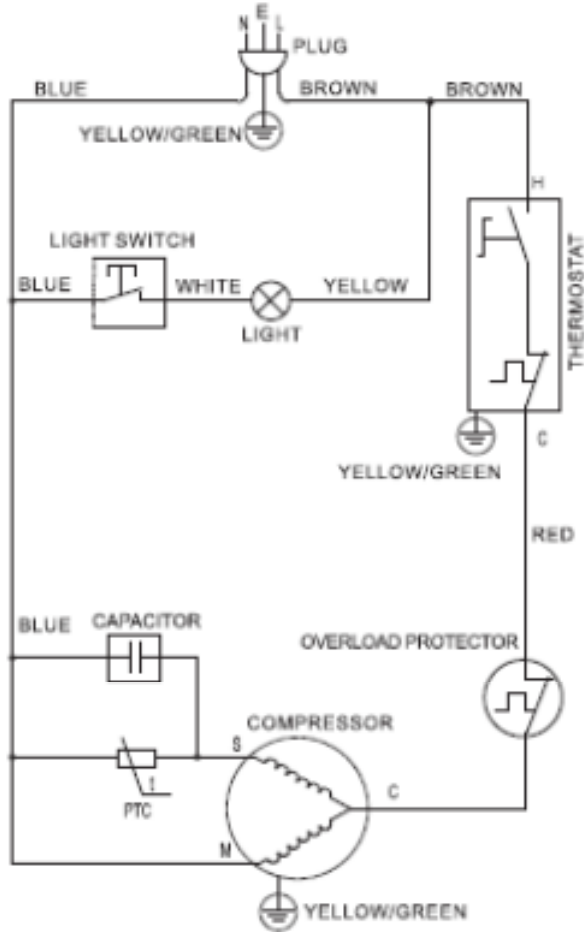
Metos Code: 4209910MP

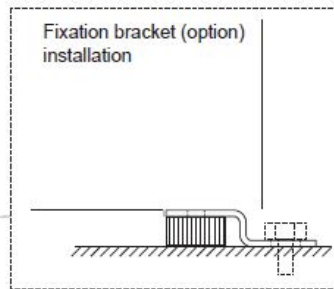
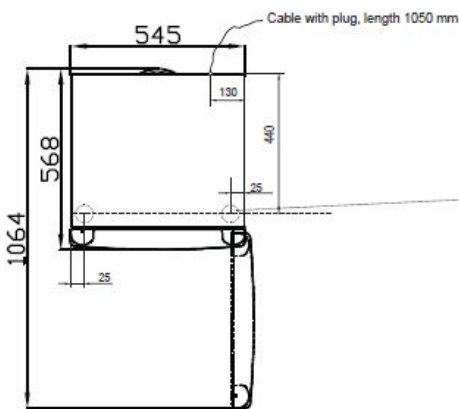
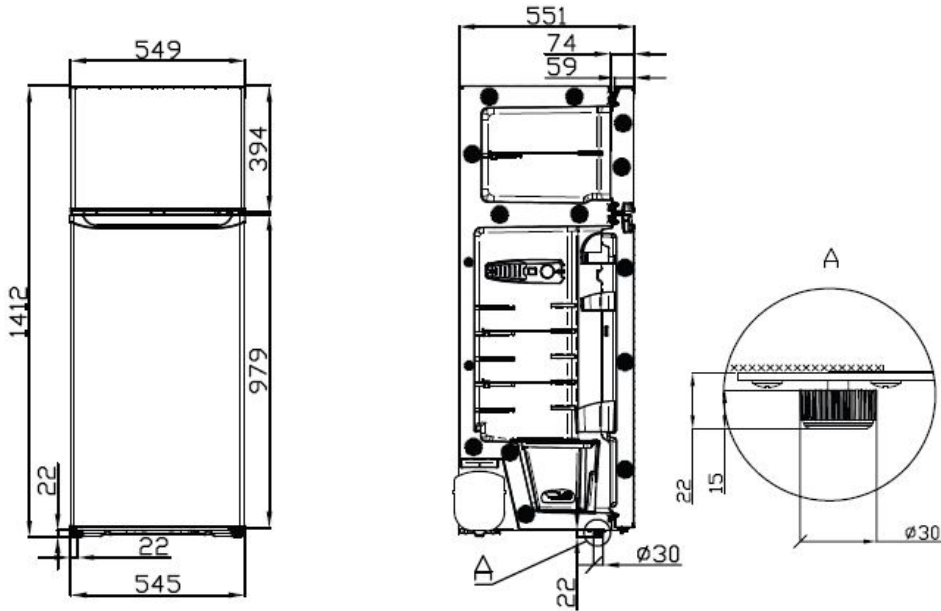


- ◆ White finish
- ◆ 2 glass shelves
- ◆ 1 crystal crisper and 1 glass cover
- ◆ 3 full crystal door balconies
- ◆ Stylish interior light
- ◆ Flat back with adjustable feet
- ◆ Lockable door with key
- ◆ Reversible door with modern recessed handle
- ◆ Mechanical temperature control with adjustable thermostat
 - ◆ Temperature range: Refrigerator 0~+8°C and freezer -18~-21°C
- ◆ Top freezer (45L) and bottom fridge (170L)
- ◆ Refrigerant: R600a/30g
- ◆ Light power: 10W
- ◆ Electricity: 220-240V~50/60Hz/0.57A
- ◆ Energy consumption: 0.96 kWh/24h
- ◆ Dimension: 549(w) x 568(d) x 1421(h) mm
- ◆ Weight: 45.0kg

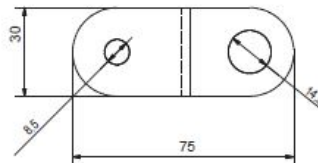
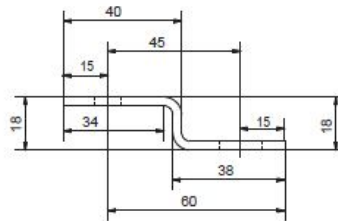
Subject to changes without notices (e.g. Model name ...)

CIRCUIT DIAGRAM





Fixation bracket, can be ordered as an option.



Model	Capacity (l)		Refrigerant	Electricity	Weight (kg)
	Gross	Net			
BCD-215V	216	215	R600a / 30g	220-240V~50/60Hz 0.96kw*h/24h 0.57A	45