

Metos Combi Bulk Brewing Coffee Machines

Metos ComBi Line coffee machine range consists of counter and wall models, both with hot water taps or containers with dispensing taps on both sides. Functions are operated by control panel furnished with a clear LC display. Brewing quantity can be programmed either by litre volume or coffee cup amount needed. Brewing volumes and coffee used can be monitored and controlled by the counters. According to the hardness of the local water used, you can set the indicator for the descaling process. Continuous flow water heater ensures that it is only fresh and cold water that is used for the brewing and that the temperature of the brewing water is not exceeding 96°C.

The ComBi models with two containers are equipped with a counter brewer, two electrically heated containers, drip tray and two coffee filters with a coffee blender and a brewing lid.

Brewers with hot water container (W) are supplied with a no-drip tap. You can dispense hot water 1,8 litres a time. DW models are supplied with dual-side no-drip taps for coffee and hot water.

Accessories:

- containers
- filters
- blenders
- filling pipes



Counter models with two containers and hot water tap CB 2x5W



Coffee filter, coffee blender and CN container.

Water filling pipe for tea, tea filter and CN container.

Counter models with two containers		Capacity	Capacity	Hot water	Dimension mm	CW	Electric connection	Power
Containers	l/h	cups/h	l/h					
CB 2x5	5+5 litres	30	240	-	770x465x695	3/4"	230V 1~ 16 A 50/60Hz	3.2kW
CB 2x10	10+10 litres	60	480	-	907x465x785	3/4"	400V/440V3~ 10 A 50/60Hz	6.2kW
CB 2x20	20+20 litres	90	720	-	1015x500x890	3/4"	400V/440V3~ 16 A 50/60Hz	9.2kW

Counter models with two containers and hot water tap		Capacity	Capacity	Hot water	Dimension mm	CW	Electric connection	Power
Containers	l/h	cups/h	l/h					
CB 2x5W	5+5 litres	30	240	22	770x465x695	3/4"	400V/440V3~ 10 A 50/60Hz	5.4kW
CB 2x10W	10+10 litres	60	480	22	907x465x785	3/4"	400V/440V3~ 16 A 50/60Hz	8.4kW
CB 2x20W	20+20 litres	90	720	22	1015x500x890	3/4"	400V/440V3~ 16 A 50/60Hz	11.4kW

Metos Combi Bulk Brewing Coffee Machines

Electrically heated containers

Containers	Dimension mm	El. connection	Power
CN5e	5 litres	237x406	230V 1~6 A
CN10e	10 litres	307x427	230V 1~6 A
CN20e	20 litres	355x515	230V 1~6 A

Insulated containers

CN5i	5 litres	237x406
CN10i	10 litres	307x427
CN20i	20 litres	355x515

Accessories

Filter	Tea filter
Container CN5e/i	Container CN5e/i
Container CN10e/i	Container CN10e/i
Container CN20e/i	Container CN20e/i

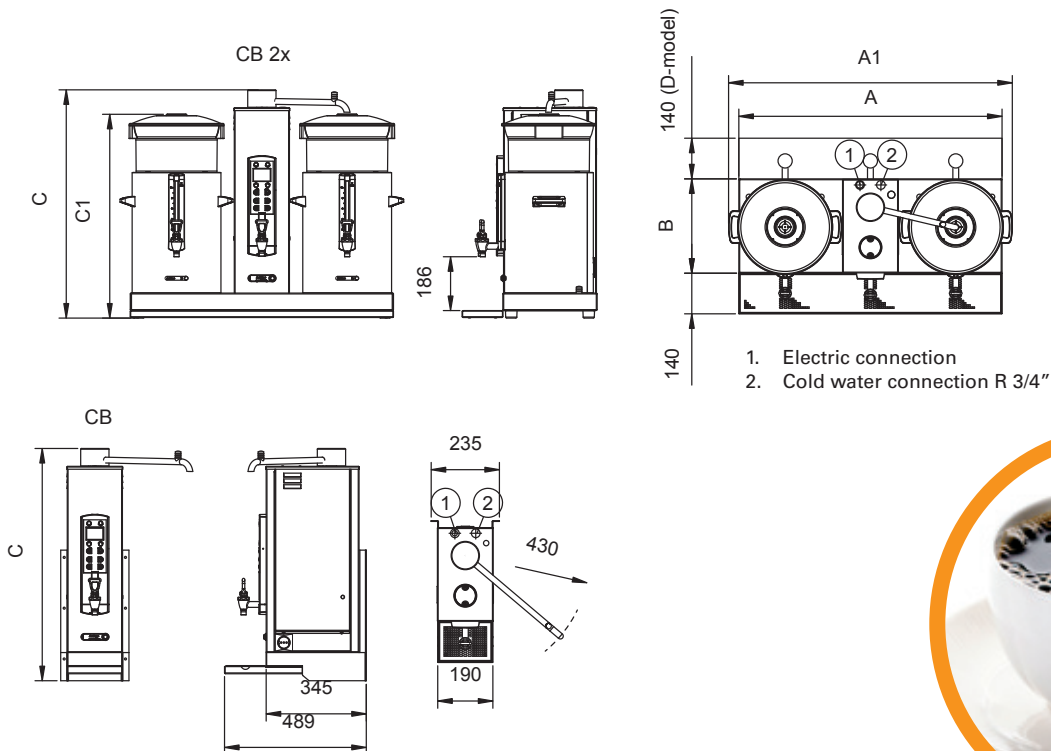
Blender

Blender	Filling pipe
Container CN5e/i	Container CN5e/i
Container CN10e/i	Container CN10e/i
Container CN20e/i	Container CN20e/i

Filter paper

Container CN5e/i
Container CN10e/i
Container CN20e/i

Installation Drawing



Metos	A	A1	B	C	C1
CB 2 x 5 / 5W	770	818	325	695	612
CB 2 x 10 / 10W	907	978	325	786	702
CB 2 x 20 / 20W	1015	1094	360	888	804