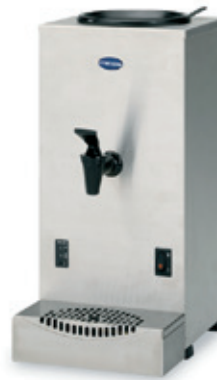


Hot water is not only used for coffee or tea. For instance, instant products like soup and hot chocolate are being consumed more often. When large quantities of hot water are needed in a short time, the high-quality Metos machines are really convenient.



Metos WKT-3n, with drip tray

Metos WKT 3n HA is a counter-top, manual fill water boiler. Metos WKT 3n VA has a fixed water connection. Volume is 3 litres or approx. 24 cups. Heating time approx. 9 minutes and holding temperature adjust. 96°C.



Metos WKT 3n

Metos WKT - series, buffet model

Metos WKT-D5n and D10n are counter-top, manual fill, thermally insulated hot water boilers. Volumes 5 and 10 litres respectively. Thermostatically adjustable temperature up to 97°C. Heating time 20 - 97°C with WKT-D 5n approx. 10 min and with WKT-D 10n approx. 20 min. Tap fitted with a gauge showing the filling level.



Metos WKT-D 10n

Metos WKI - series, wall-mounted

Metos WKI boilers are wall-mounted water boilers. Temperature thermostatically adjustable up to 97°C. Tap with a gauge glass and swivel arm. Automatic filling can be closed for the period of brewing. Another swivel arm and hot water tap available as an accessory.

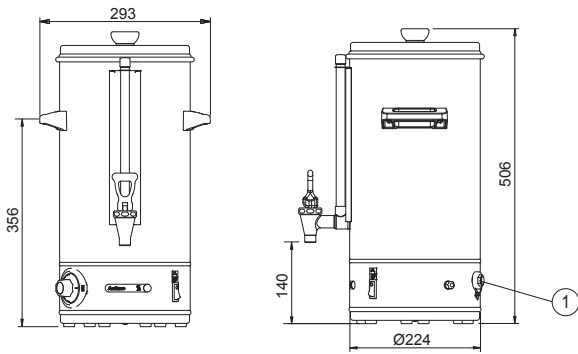


Metos WKI

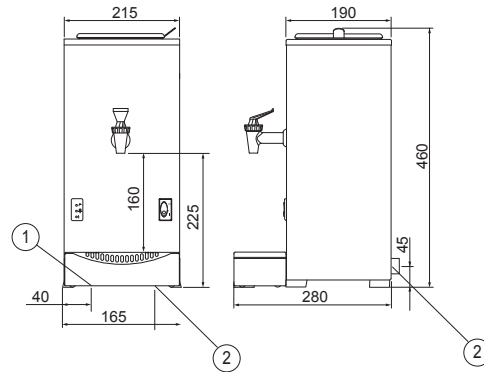
Metos	Capacity l/h	Dimensions mm	CW	Electric connection	Power	Net weight
WKT 3n HA	21	215x280x445	-	230V 1~ 10A 50/60Hz	2.1kW	5.3 kg
WKT 3n VA	21	215x280x445	3/4"	230V 1~ 10A 50/60Hz	2.1kW	5.6 kg
WKT-D 5n HA	30	Ø 237x406	-	230V 1~ 16A 50/60Hz	3.2kW	5.5 kg
WKT-D 10n HA	30	Ø 307x426	-	230V 1~ 16A 50/60Hz	3.2kW	7.8 kg
WKI 10n	25	Ø 224x520	3/4"	230V 1~ 14A 50/60Hz 110-120V 1~ 11A 60Hz	3.0kW	8 kg
WKI 20n3	25	Ø 304x585	3/4"	230V 1~ 13A 50/60Hz 110-120V 1~ 11A 60Hz	3.0kW	11 kg
WKI 20n6	60	Ø 304x585	3/4"	400V 3~ 12A 50Hz 440V 3~ 12A 60Hz	6.6kW	11 kg

Installation Drawing Metos Water Boilers

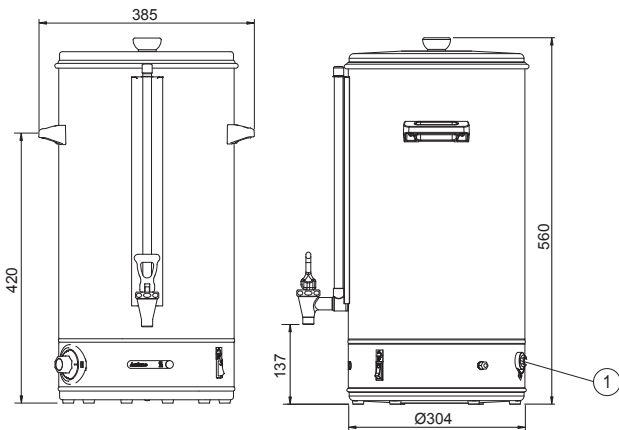
WKTn 10 HA



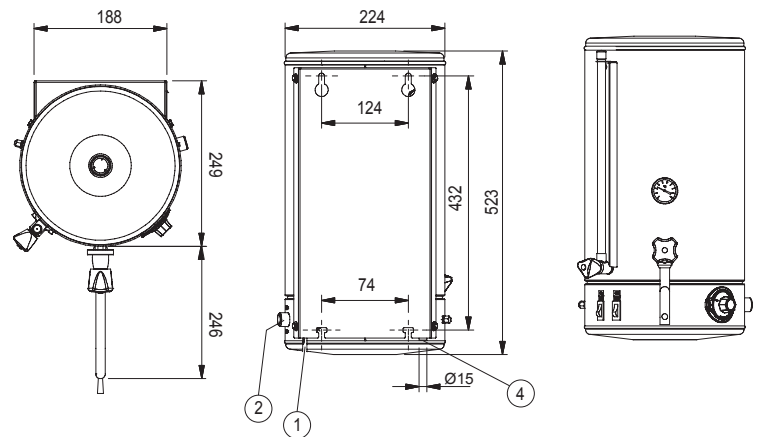
WKT 3n



WKTn 20 HA



WKI



1. Electric connection
2. Cold water connection R 3/4"
4. Drain