

Metos Spar Mixers

Metos Spar mixers are durable, reliable, powerful and safe. High efficiency Metos SPAR mixers offer convenient kitchen appliances. Metos SPAR mixes, kneads, and whips with gentle precision up to the rims of the bowl. Sturdy hand level on the body column raises and lowers the bowl as well as locking in the place at the top and bottom positions. Metos Spar mixer controls are front-mounted to give easy access in demanding kitchen environments. The construction is hygienic and easy to keep clean.

SP-100 / SP-200 / SP-30 / SP-40 specifications

- 9.5 / 19 / 28 / 38 liter bowl
- separate start and emergency stop buttons
- thermal overload protection
- a 15 minute timer
- 3 speed gear box motor
- manual bowl lift
- stainless steel safety guard
- cover blue metallic epoxy enamel, bottom metallic gray epoxy enamel

Standard equipment:

- stainless steel bowl 9.5 / 19 / 28 / 38 liter
- hook
- whip
- flat beater

Accessories:

- marine stand (4025056)
- meat mincer (4025026)
- vegetable slicer (4025054)
- B tools: half the size of the bowl A and suitable hook, beater and whip, (SP200/4025028, SP30/4025032, SP40/4025044)



SP-200 on a marine stand



Hook

Whip

Flat beater

Meat mincer

Vegetable slicer

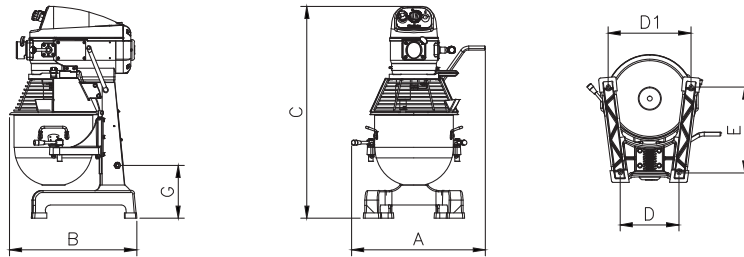
METOS SPAR BOWL CAPACITIES

Model	Bowl litres	Bread dough 60%	Mashed potatoes	Whipped cream
SP-100	9.5	5.7 kg	3.6 kg	1.9 l
SP-200	19	11.4 kg	6.8 kg	3.8 l
SP-30	28	20.4 kg	10.4 kg	5.7 l
SP-40	38	27.3 kg	13.6 kg	8.6 l

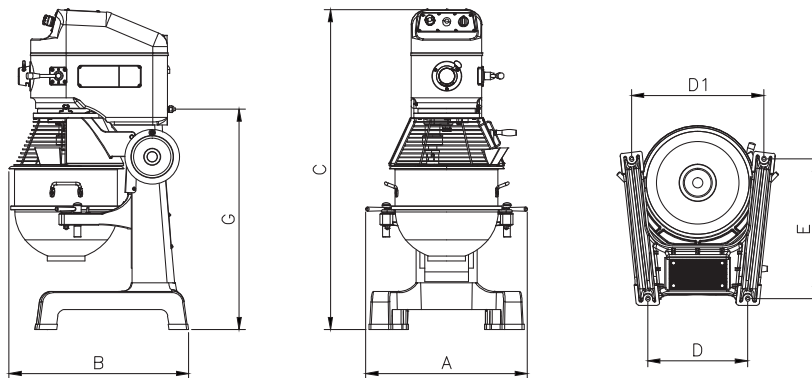
Metos Spar	Dimension mm	Bowl l	Speeds R.P.M	Electric connection	Power
SP-100A attach. drive	430x480x 770	9.5	106/196/358	230V 1~ 10A 50/60Hz	0.25kW
SP-200A attach. drive	490x520x870	19	106/196/358	230V 1~ 10A 50/60Hz	0.37kW
SP-30HA attach. drive	568x665x1156	28	99/176/320	400/440/480V 3~ 10A 50/60Hz	0.75kW
SP-40HA attach. drive	632x730x1300	38	99/176/320	400/440/480V 3~ 10A 50/60Hz	1.2kW

Installation Drawing Metos Spar Mixers

SP-100/SP-200



SP-30/SP-40



SP-40HA

	A	B	C	D	D1	E	G
SP-100	448	487	763	236	301	346	170
SP-200	550	523	871	242	341	353	217
SP-30	650	668	1172	390	496	560	783
SP-40	665	738	1315	410	545	575	906

SP-200 Stand

