

# metos

## COFFEE MAKER

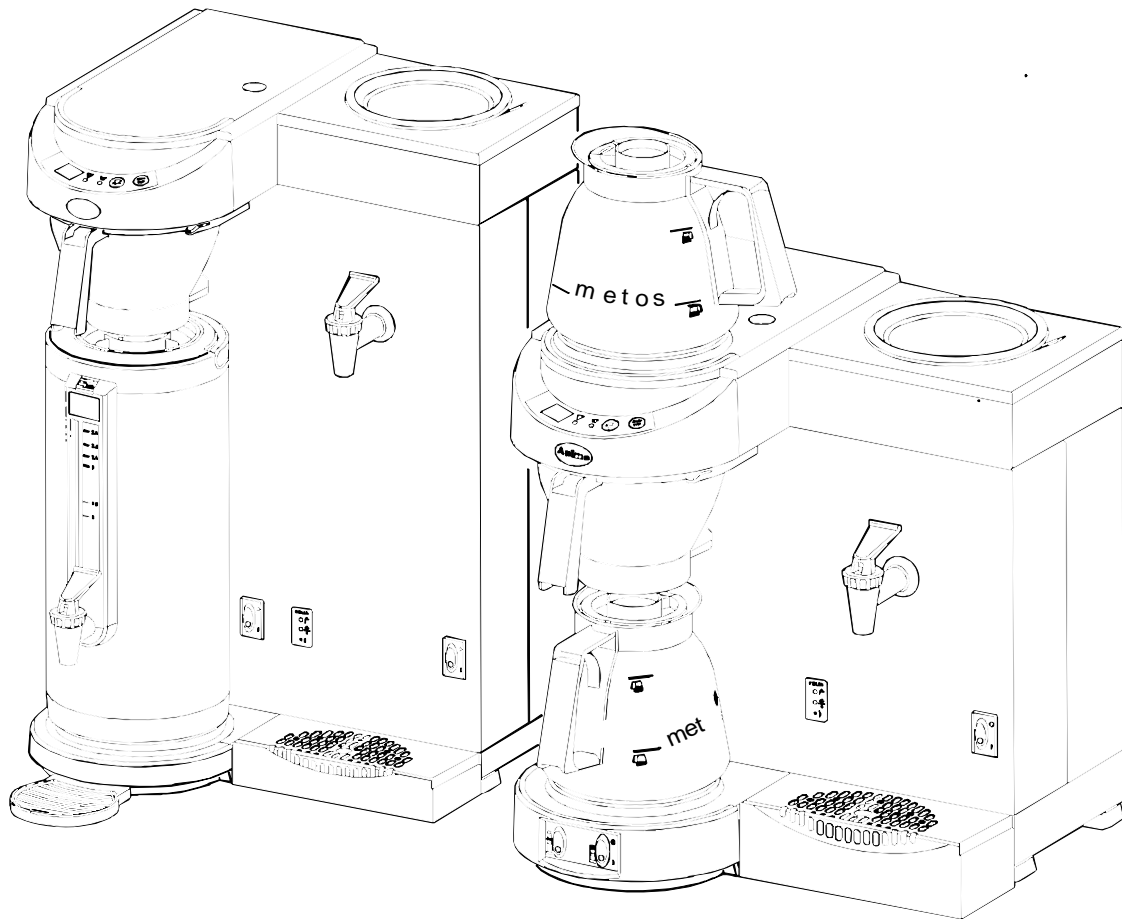
M-Series

TYPE: M200W, M202W, MT200W, MT202W

---

### Installation and Operation Manual

---



---

S/N:

Rev.: 2.1



Dear Customer,

Congratulations on deciding to choose a Metos appliance for your kitchen activities. You made an excellent choice. We will do our best to make you a satisfied Metos customer like thousands of customers we have around the world.

Please read this manual carefully. You will learn correct, safe and efficient working methods in order to get the best possible benefit from the appliance. The instructions and hints in this manual will give you a quick and easy start, and you will soon note how nice it is to use the Metos equipment.

All rights are reserved for technical changes.

You will find the main technical data on the rating plate fixed to the equipment. When you need service or technical help, please let us know the serial number shown on the rating plate. This will make it easier to provide you with correct service.

For your convenience, space is provided below for you to record your local Metos service contact information.

**METOS TEAM**

Metos service phone number:.....

Contact person:.....



<b>1. General .....</b>	<b>1</b>
1.1 Symbols used in the manual .....	1
1.2 Symbols used on the appliance .....	1
1.3 Checking the relation of the appliance and the manual .....	1
<b>2. Safety instructions .....</b>	<b>2</b>
2.1 General .....	2
2.1.1 Instructions for use .....	2
2.1.2 Installation .....	2
2.1.3 Usage .....	2
2.1.4 Maintenance and troubleshooting .....	3
2.2 Safeguards .....	3
2.2.1 Dry-boil protection (14) .....	3
2.2.2 On/off switch (1+13) .....	3
2.2.3 Start/stop button (5.5) .....	4
2.2.4 Jug detector (10) .....	4
2.2.5 Overflow safeguard .....	4
2.3 Appliances and the environment .....	4
2.3.1 The packing material .....	4
2.3.2 Discarding the appliance .....	4
<b>3. Functional description .....</b>	<b>5</b>
3.1 Use of the appliance .....	5
3.1.1 Other use .....	5
3.2 Construction .....	6
3.3 Control panel of the coffee making section .....	7
3.3.1 Display (5.1) .....	8
3.3.2 Descale indication light (5.2) .....	8
3.3.3 Brewing process indicator light (5.3) .....	8
3.3.4 Sound signals .....	9
3.3.5 Selection button (5.4) .....	9
3.3.6 Start/stop button (5.5) .....	9
3.4 Indicator panel of the water boiler .....	9
3.4.1 Refill indicator light (12.1) .....	9
3.4.2 Temperature ok indicator light (12.2) .....	10
3.4.3 Temperature adjuster water boiler (12.3) .....	10
<b>4. Operation instructions .....</b>	<b>11</b>
4.1 First time use .....	11
4.1.1 Daily use .....	12
4.2 Operation procedures .....	13

---

4.2.1 Making coffee .....	13
4.2.2 Water boiler .....	13
4.2.3 Potentials of the water boiler .....	14
4.2.4 Settings .....	14
4.3 Maintenance .....	17
4.3.1 Cleaning of the appliance and accessories .....	17
4.3.2 Removing coffee deposits from glass jug and filter .....	17
4.3.3 Removing coffee deposits from thermos jug .....	17
4.3.4 Descaling .....	18
4.3.5 Switching-off the descale indicator light .....	18
4.3.6 Descaling the water boiler .....	19
<b>5. Installation .....</b>	<b>20</b>
5.1 General .....	20
5.1.1 Unpacking .....	20
5.2 Installation .....	21
5.2.1 Preparation for positioning the appliance .....	21
5.2.2 Electrical connections .....	21
5.2.3 Connection to the water mains .....	21
5.2.4 Water drainage .....	21
5.2.5 Setting the descale indicator .....	22
5.2.6 Resetting the descale indicator light .....	22
<b>6. Service .....</b>	<b>23</b>
<b>7. Troubleshooting .....</b>	<b>25</b>
<b>9. Technical specifications .....</b>	<b>47</b>

# 1. General

Carefully read the instructions in this manual as they contain important information regarding proper, efficient and safe installation, use and maintenance of the appliance.

Keep this manual in a safe place for eventual use by other operators of the appliance.

The installation of this appliance must be carried out in accordance with the manufacturer's instructions and following local regulations. The connection of the appliance to the electric and water supply must be carried out by qualified persons only.

Persons using this appliance should be specifically trained in its operation.

Switch off the appliance in the case of failure or malfunction. The periodical function checks requested in the manual must be carried out according to the instructions. Have the appliance serviced by a technically qualified person authorized by the manufacturer and using original spare parts.

Not complying with the above may put the safety of the appliance in danger.

## 1.1 Symbols used in the manual



This symbol informs about a situation where a safety risk might be at hand. Given instructions are mandatory in order to prevent injury.



This symbol informs about the right way to perform in order to prevent bad results, appliance damages or hazardous situations.



This symbol informs about recommendations and hints that help to get the best performance out of the appliance.

## 1.2 Symbols used on the appliance



This symbol on a part informs about electrical terminals behind the part. The removal of the part must be carried out by qualified persons only.

## 1.3 Checking the relation of the appliance and the manual

The rating plate of the appliance indicates the serial number of the appliance. If the manuals are missing, it is possible to order new ones from the manufacturer or the local representative. When ordering new manuals it is essential to quote the serial number shown on the rating plate.

## 2. Safety instructions

### 2.1 General

This appliance meets the mandatory safety regulations. Inexpert use can result in personal injury and material damage. The following warnings and safety instructions must be observed before using the coffee maker.

#### 2.1.1 Instructions for use

Read these instructions for use carefully, before using this appliance. This will protect your safety and prevent damage being caused to the appliance. Perform the various actions in the order given. Always keep this manual in the vicinity of the appliance.

#### 2.1.2 Installation

- Place the appliance at buffet height and on a firm, level base, in such a way that it can be connected to the water and power supply.
- Connect the appliance to an earthed wall socket.
- Position the appliance in such a way that no damage can be caused if it leaks.
- Do not tilt the appliance, always position and move the appliance upright.
- The coffee maker is fitted with an overflow device that discharges at the bottom of the appliance - take this into account when positioning the appliance.
- Water always remains in the heating system: for this reason the appliance must not be placed in an area where the temperature can fall below freezing point.
- When installing the appliance, always observe the local rules and use approved materials and parts.
- The 'Installation' chapter must again be followed when repositioning the appliance.
- Connect the appliance to the cold water mains.

#### 2.1.3 Usage

- Inspect the appliance before using it and check it for damage.
- Never submerge or spray the appliance.
- Do not press the buttons with a sharp object.
- Protect the controls against dirt and grease.
- It is advisable to take the plug out of the socket and close the water tap, if the appliance will not be used for longer periods of time.



## 2.1.4 Maintenance and troubleshooting

- Observe the descaling intervals indicated by the descaling indicator light.
- Overdue maintenance to the heating system can result in high repair costs and annulment of the guarantee.
- Always follow the manufacturer's instructions when using the descaling agent.
- Do not leave the appliance unattended when maintenance is being performed.
- When descaling the appliance, it is advisable to wear safety glasses and protective gloves.
- Flush the appliance at least twice after descaling it.
- Wash your hands thoroughly after descaling the appliance.
- Always have repairs carried out by a qualified service engineer.
- The plug must be taken out of the socket if the appliance has to be opened for cleaning or repairs.

The manufacturer cannot be held liable for losses caused as a result of failure to observe these safety instructions.

## 2.2 Safeguards

The appliance is fitted with the following safeguards:

### 2.2.1 Dry-boil protection (14)

This application is equipped with two dry-boil protection on the back. The protector on the left (21) is that of the water boiler. On the right (20) is the one of the coffee making section.

These protectors trigger if the heating element overheats owing to a fault. Once the fault has been resolved, the dry-boil protection can be reset at the back of the appliance. The most common cause of the dry-boil protection being triggered is not descaling the heating system in time.

If the heating system does not switch back on, proceed as follows:

- Allow the appliance to cool down.
- Unscrew the protective cap, which can be found on the back of the appliance.
- Press the button which is now visible and firmly screw the protective cap back on.

If the dry-boil protection triggers owing to increased scale deposits, descale the appliance. Consult your dealer if the fault was caused by a problem other than the dry-boil protection being triggered.

### 2.2.2 On/off switch (1+13)

Each appliance is switched on/off separately through the on/off switch (1+13). Remember that the appliance can still be live after switching it off! For this reason you should always remove the plug from the socket to render the appliance voltage-free.

## Safety instructions

---

### 2.2.3 Start/stop button (5.5)

The coffee making process can be interrupted at any point using the Start/stop button located on the control panel.

### 2.2.4 Jug detector (10)

This appliance is fitted with a jug detector that operates the leak stop under the filter. This jug detector also ensures that the appliance only makes coffee if there is a jug under the filter. If the jug is removed during the coffee brewing process, the process will be interrupted and the leak stop in the filter will prevent coffee dripping on the hot plate.

### 2.2.5 Overflow safeguard

The amount of water required is regulated and monitored by flow and level sensors.

- Coffee making section: If one of the two sensors detects an irregularity, the appliance switches off and both indicator lights will flicker.
- Water boiler: If the water level of the water boiler reaches the maximum level sensor, the machine will shut off and both indicator lights (12.1+12.2) will start to flicker.

## 2.3 Appliances and the environment

### 2.3.1 The packing material

Your new coffee maker has been carefully packaged to protect it against damage.

The packing is not harmful to the environment and consists of the following materials:

- corrugated cardboard
- filler elements made of polyurethane foam <PUR> covered with a polythene film (>PE-HD<). The waste processing plant in your municipality will be pleased to inform you about where you can dispose of the materials.

### 2.3.2 Discarding the appliance

No appliance lasts forever. When the time comes to discard your appliance it will usually be possible to return it to your dealer. If this is not the case, ask your municipal council about the alternatives for recycling the materials. All plastic parts have been given standard codes. The parts of the appliance such as the printed circuit board and accompanying parts form electrical and electronic waste. The metal body is made of stainless steel and can be completely dismantled.

## **3. Functional description**

### **3.1 Use of the appliance**

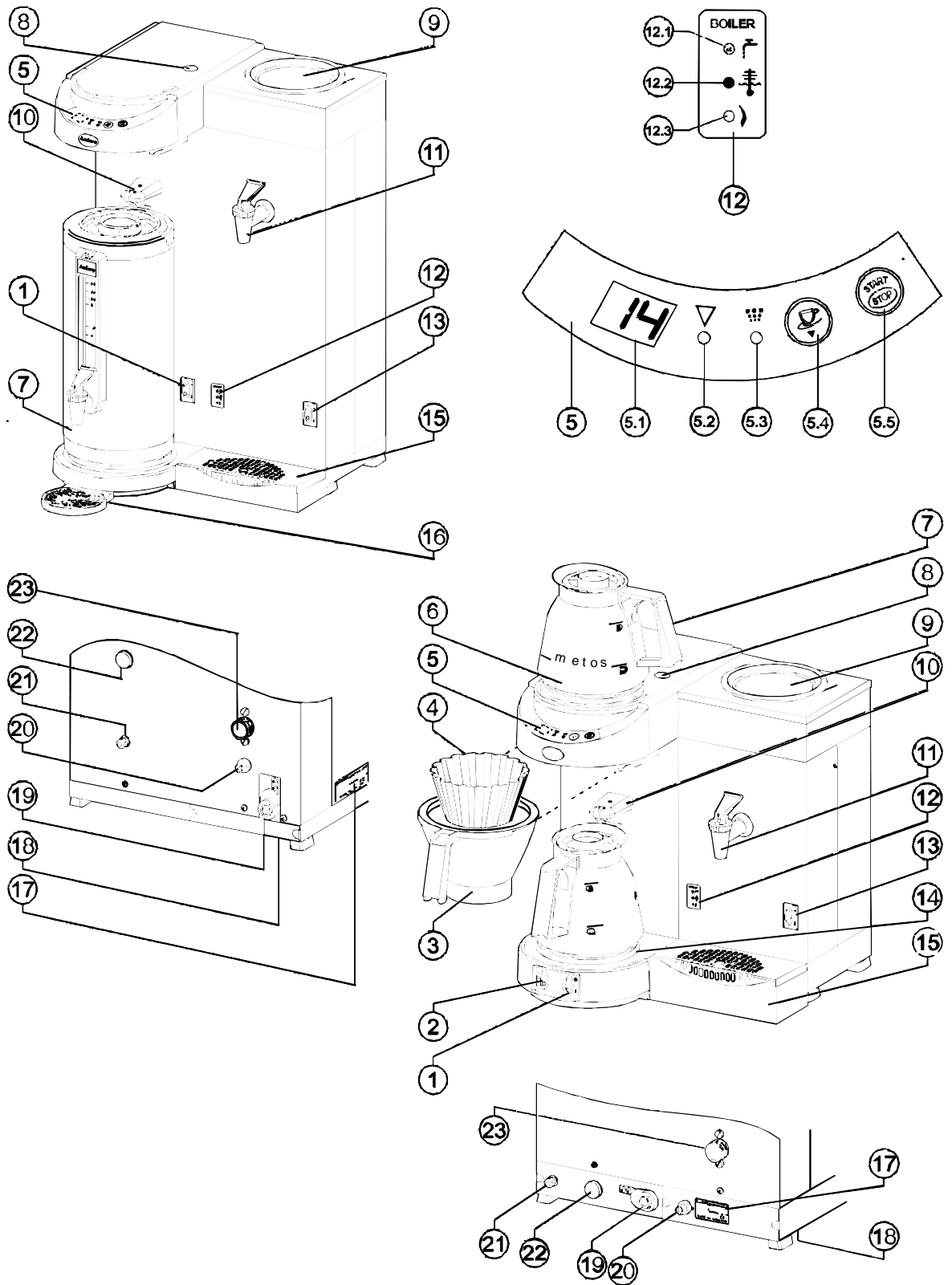
The sole use of this appliance is to make coffee and/or tea, and to warm water.

#### **3.1.1 Other use**

The use of the appliance for other purposes is not permitted and may be hazardous. The manufacturer cannot be held liable for losses caused by using the appliance for purposes other than those indicated here or by incorrect use.

Functional description

3.2 Construction



## Functional description

---

The most important parts (see pic.):

1. Appliance on/off switch, coffee making section and bottom hot plate
2. On/off switch for top hot plate
3. Basket filter with leak stop device
4. Basket filter paper
5. Control panel coffee making section (see below for details)
6. Top hot plate
7. Glass jug/thermos flask
8. Descaling opening
9. Water boiler
10. Jug detector
11. Hot water tap
12. Indicator panel water boiler (see below for details)
13. On/off switch water boiler
14. Bottom hot plate
15. Stainless steel drip tray
16. Synthetic drip tray
17. Type plate
18. Water drain
19. Connection cable with plug
20. Dry-boil protection coffee making section
21. Dry-boil protection water boiler
22. Drainage water boiler
23. Water connection

Control panel coffee making section:

- 5.1 Display
- 5.2 Descale indicator light
- 5.3 Brewing process indicator light
- 5.4 Selection button
- 5.5 Start/stop button

Indicator panel water boiler:

- 12.1 Refill indicator light
- 12.2 Temperature ok indicator light
- 12.3 Temperature setting water boiler

### 3.3 Control panel of the coffee making section



Never press the buttons with a sharp object.

Protect the controls against dirt and grease.

## Functional description

---

### 3.3.1 Display (5.1)



The display shows the selected amount of coffee, in terms of cups or litres. For display in litres, see Settings chapter. While the coffee is being made the display alternately shows the selected amount and the amount of coffee that has already been made.

### 3.3.2 Descale indication light (5.2)



The red indicator light will light up if the appliance needs to be descaled. The appliance will continue to work so that it can be descaled when it is not being used. See also Descaling chapter.

### 3.3.3 Brewing process indicator light (5.3)



The green indicator light lights up when the coffee passes through the system. At the end of the coffee making process a signal sounds three times and the green indicator light goes out. The indicator light flickers if the jug is temporarily removed during the coffee making process. A signal will also sound indicating that the coffee making process has temporarily stopped.

## Functional description

---

### 3.3.4 Sound signals



Sounds three times at the end of the coffee making process. Sounds once if the jug is removed during the coffee making process. A long signal sounds when the appliance is switched on.

### 3.3.5 Selection button (5.4)



The selection button is used to reduce the amount of coffee set in the display. When the lowest value is reached the display returns to the maximum amount.

### 3.3.6 Start/stop button (5.5)



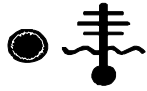
The start/stop button is used to start and (emergency) stop the coffee making process.

## 3.4 Indicator panel of the water boiler

### 3.4.1 Refill indicator light (12.1)



The yellow indicator light will light up if the water boiler needs to be refilled. The heating element will turn off. The indicator light turns off when the water boiler has filled up sufficiently.

**3.4.2 Temperature ok indicator light (12.2)**

The green indicator light lights up when the water boiler has reached the correct temperature. The control light turns off when the water temperature is too low.

**3.4.3 Temperature adjuster water boiler (12.3)**

With this tuner the water boiler temperature can be increased/reduced, using a small screwdriver. See chapter: Setting the water temperature of the water boiler.



## 4. Operation instructions

### 4.1 First time use



Ensure that the mains lead does not come into contact with the hot plates (if present).

When used for the first time the appliance works according to the standard factory settings. The various settings can be altered by authorised personnel. See chapter 'Settings'.

- Connect the water connection hose (supplied) to the swivel nut on the back of the appliance and to manually-operated aeration tap. NB! Only cold water. Open the water tap and check the connection for leaks.
- Slide an empty basket filter (3) into the appliance and place an empty jug (with lid) underneath it.
- Check if all on/off switches (1+2, if present) are at position 0.
- Put the plug in the socket.
- Switch on the appliance by setting the on/off switch (1) to the I position, the indicator lights (5.2) and (5.3) will light up and an audible signal will sound. The display (5.1) will then show the preset standard number of cups.
- Press the start/stop button and the internal reservoir will fill up. Press the start/stop button again if water has not started flowing after three minutes.
- The green indicator light (5.3) will now light up until the appliance has finished making the coffee.
- When the appliance has finished making the coffee a signal will sound after about 1.5 minutes and the green indicator light (5.3) will go out.
- Follow the above steps again for the other coffee making section if the model has a double coffee making system (M(T) 202W).
- The appliance is ready for use when the jug has been emptied.
- Switch the water boiler on by turning the on/off switch (13) to 1. The indicator lights (12.1) and (12.2) will light up. The water boiler will fill automatically and the water heats up. During the filling, the yellow indicator light (12.1) will be on. The green indicator light (12.2) will light up when the water is heated sufficiently.
- Tap (11) all of the first heated water out of the water boiler and discard it. The water boiler will refill with fresh water automatically. Fill up the water boiler with fresh water. After this, the appliance is ready for use.

## Operation instructions

---

### 4.1.1 Daily use

#### Leak stop

This appliance is fitted with a leak stop that ensures that no coffee drips out of the filter when you:

- take away the jug after making coffee.
- take the filter out of the appliance after making coffee to empty it.



The leak stop can only work if the jug detector is pressed in sufficiently by the jug. If you use a coffee jug with a narrow neck the jug detector will not be pressed in sufficiently and the appliance will not start.

#### Coffee quantity



Basic instructions for brewing coffee:

- Use fine-grind coffee.
- Keep the jugs and the basket filter clean.

The amount of coffee can be measured using the coffee measuring cup supplied and generally amounts from 35 to 50 grams per litre.

Jug	Glass jug	Thermos jug	Thermos jug with pump	Thermos container
Content	1.8 litres	1.8 litres	2.2 litres	2.4 litres
Coffee	100-125 grams	100-125 grams	100-150 grams	150-180 grams

## 4.2 Operation procedures

### 4.2.1 Making coffee

- Place a sheet of basket filter paper containing the desired amount of coffee (fast filter type) in the basket filter. See the table above for the amount of coffee required. A level coffee measure is approximately 80 grams.
- Slide the basket filter (3) into the appliance.
- Then place the jug, with the lid on it, under the filter. With the MT200 model, open the lid of the thermos jug with pump and leave the riser tube in the jug.
- Switch on the coffee making section using the on/off switch (1). The lamp in the switch will go on and the lower hot plate will switch on.
- Select the desired amount in the display (5.1) using the selection button (5.4).
- Press the start/stop button, the green indicator light (5.3) will switch on and the appliance will start making coffee. While the appliance is making coffee the display (5.1) will alternately show the selected quantity and the amount of coffee that has already been made.
- Once the coffee brewing process has been completed the green indicator light (5.3) will go out and an audible signal will sound three times, indicating that the coffee is ready. Once the filter has been cleaned you can immediately resume making coffee.



**Warning! Do not remove the jug until the indicator light has gone out and the audible signal has been given.**

- Pour out the coffee or place the jug on the top hot plate (6) (except for the MT models). The top hot plate is switched on separately using on/off switch (2). Always switch off the extra hot plate when it is not being used.
- After cleaning the basket filter the appliance can immediately be used to make the next serving of coffee.

### 4.2.2 Water boiler

The appliance is fitted with a water boiler (9) suitable for drawing off small amounts of hot water. The water boiler is refilled automatically and kept at the right temperature.

- Switch the water boiler on using the on/off switch (13). The light in the switch will light up.
- After approx. 11 minutes the water is heated up and the green temperature ok indicator light (12.2) will light up. Hot water can now be drawn off using the no-drip (11) tap.
- When hot water is being drawn off, the water boiler will refill automatically. During the filling the yellow refill indicator light (12.1) will go on.

### 4.2.3 Potentials of the water boiler

- Tap hot water off (a maximum of 1.8 litres at a time). It will take approx. 5 minutes before the temperature of the water boiler is restored. (M(T)202W approx. 4 min.)
- When the green temperature indicator light (12.2) turns on, new hot water can be drawn off.

### 4.2.4 Settings







The jug will overflow if the set coffee quantity is too high.

The manufacturer is unable to accept any liability for the consequences of altered settings.

#### Setting of the amount of coffee

Both the M and the MT models are supplied as standard set to make coffee using 1,8 litres of water (14 cups). If this is too much or too little, or if you are using an MT model in combination with a thermos jug with a greater capacity, you can adjust the quantity as follows:

- Press the selection button (5.4) and hold it in, and then press the start/stop button (5.5) once. A number will appear in the display.
- Release both buttons. The display will show the set value. The standard setting is 20 (1.8 l. / 14 cups).
- Press the selection button (5.4) to increase the amount. Each increase in the display puts approximately 4 ml more water in the jug. Use the table beside. To reduce the quantity: go through the table until it restarts after 50. The range runs from 0,1,2,3,4 ..... 50.
- Now wait for 6 seconds. The selected quantity is now saved.

Program	Water volume Ltr.	Display	
20		 = 	 = Ltr.
0	1,00	8	1,0
1	1,04	8	1,0
2	1,08	9	1,1
3	1,12	9	1,1
4	1,16	9	1,2
5	1,20	10	1,2
6	1,24	10	1,2
7	1,28	10	1,3
8	1,32	11	1,3
9	1,36	11	1,4
10	1,40	11	1,4
11	1,44	12	1,4
12	1,48	12	1,5
13	1,52	12	1,5
14	1,56	12	1,6
15	1,60	13	1,6
16	1,64	13	1,6
17	1,68	13	1,7
18	1,72	14	1,7
19	1,76	14	1,8
20	1,80	14	1,8
21	1,84	15	1,8
22	1,88	15	1,9
23	1,92	15	1,9
24	1,96	16	2,0
25	2,00	16	2,0
26	2,04	16	2,0
27	2,08	17	2,1
28	2,12	17	2,1
29	2,16	17	2,2
30	2,20	18	2,2
31	2,24	18	2,2
32	2,28	18	2,3
33	2,32	19	2,3
34	2,36	19	2,4
35	2,40	19	2,4
36	2,44	20	2,4
37	2,48	20	2,5
38	2,52	20	2,5
39	2,56	20	2,6
40	2,60	21	2,6
41	2,64	21	2,6
42	2,68	21	2,7
43	2,72	22	2,7
44	2,76	22	2,8
45	2,80	22	2,8
46	2,84	23	2,8
47	2,88	23	2,9
48	2,92	23	2,9
49	2,96	24	3,0
50	3,00	24	3,0

## Setting of the display to show cups or litres

The appliance is factory set to display the number of cups. If you want the display to show litres, you can adjust it as follows:

- Press the selection button (5.4) and hold it in, then press the start/stop button (5.5) once. A number will appear in the display.
- Release both the buttons and then press the start/stop button once again.
- A “C” (Cups) will appear in the display. Change the “C” to an “L” with the selection button.
- Now wait for 6 seconds. The adjustment has now been saved.

## Setting the prewet function

This appliance can make coffee using two methods:

- Continue-brew (“Cb”) (factory setting); The coffee making process begins immediately and will pour hot water over the ground coffee without a waiting time.
- Prewet-brew (“Pb”); part of the hot water is first poured onto the ground coffee. This causes the coffee to rise so that the smells and flavours are released. The coffee making process then begins.

If you want to set the appliance to Prewet brew, this setting can be changed as follows:

- Press the selection button (5.4) and hold it in. Then press the start/stop button once. A number will appear in the display.
- Release both buttons and then press the start/stop button twice. “Cb” (Continue-brew) will appear in the display.
- Use the selection button to change “Cb” into “Pb” (Prewet brew).
- Now wait for 6 seconds. The adjustment has now been saved.

## Setting the water temperature of the water boiler

On delivery the temperature of the water boiler is set approx. 90°C. With the tuning point (12.3) the temperature of the water boiler can be increased/reduced between 84 - 98°C. Use a small screw driver for this. To reduce the temperature, turn left. To increase, turn right.



In high altitude areas (>2000) the water will boil sooner because of lower atmospheric pressure. Tune the temperature of the water so, that it will not boil.

The manufacturer is unable to accept any liability for the consequences of altered settings.

## 4.3 Maintenance

### 4.3.1 Cleaning of the appliance and accessories



The appliance must not be submerged or sprayed.

- Clean the outside of the appliance with a clean, damp cloth, if necessary using mild (non-abrasive) cleaning agent.
- Do not use an abrasive, as this will leave scratches and dull patches.
- The glass jugs and the basket filter can be washed normally and rinsed clean. Please note, however, that it is inadvisable to clean the basket filter in an industrial dish washer as its lightness may cause it to float and sustain damage.
- The thermos jug, thermos jug with pump and the filter can be rinsed with hot water.
- The coffee deposit in the coffee jugs and the filter can be cleaned with coffee fur remover. The appliance is supplied with one sachet of coffee fur remover. It is easy to use.

### 4.3.2 Removing coffee deposits from glass jug and filter

- Fill a tray with approx. 5 litres of warm water and dissolve a sachet (10 gr) of coffee fur remover in it.
- Place the parts you want to clean in this solution and leave them to soak for 15 to 30 minutes.
- Then rinse them several times with hot water, and repeat when necessary.
- Sprinkle the powder on to heavily soiled parts and clean them with a wet brush.

### 4.3.3 Removing coffee deposits from thermos jug

- Dissolve a quantity of coffee fur remover in warm water: use approx. 2 grams per litre.
- Fill the thermos jug with this solution.
- Leave the solution to soak for 15 to 30 minutes, then pour it away.
- Thoroughly rinse the jug several times with hot water.

#### 4.3.4 Descaling



Stay close to the appliance when performing maintenance. It is advisable to wear safety glasses and protective gloves when descaling the appliance. Flush the appliance at least two times after descaling it. Wash your hands thoroughly after descaling the appliance.



Observe the descaling intervals indicated by the descale indicator light. Overdue maintenance to the heating system can result in high repair costs and annulment of the guarantee. It is recommended to descale the coffee making section and the water boiler in succession.

Scale deposits are left in the heating system when the appliance is used. The amount of scaling depends on the hardness of the water being used. The appliance is fitted with a descale indicator light (5.2), which lights up when the heating system has processed a certain quantity of water and has to be descaled. The appliance continues to work so that it can be descaled when it is not being used.

- Before descaling the appliance, carefully read the instructions for use of the scale remover.
- Slide an empty basket filter and place an empty jug under it.
- Remove the cap (8) and place the funnel (supplied) into the descaling opening.
- Dissolve one sachet (50 gr) of scale remover in 0.5 litre of warm water (approx. 60-70°C).
- Carefully pour half of the solution into the descaling opening (8) using the funnel.
- Switch on the appliance using the switch (1). Select 2 cups using the selection button (5.4) and press the start/stop button (5.5). The solution will now run through the heating system and discharge into the jug.
- Wait until the 'coffee ready' signal sounds. The solution will now react with the deposits in the heating system.
- After the waiting time, repeat points 5 and 6.
- Wash away the solution in the jug once the filter has finished dripping.
- Remove the funnel and replace the cap.
- After descaling the appliance, flush the system by following the coffee brewing procedure twice but without using filter paper or coffee. Remember to empty the jug in the meantime.
- Switch off the appliance and thoroughly clean the basket filter and the jug.
- The appliance is now ready for use.

#### 4.3.5 Switching-off the descale indicator light

- Press the programme button (5.4) for 6 seconds; the descale indicator light (5.2) will go out.
- The control system resumes registering the number of brewing processes.



### 4.3.6 Descaling the water boiler



Leave the lid of the water boiler open during the descaling process.

- Before descaling the water boiler, carefully read the instructions for use on the descaling agent.
- Switch the water boiler off when the temperature ok indicator light (12.2) is on. Leave the water boiler switched off during the whole descaling process.
- Draw off approx. 1.5 litres of hot water using the no-drip tap (11) and dissolve 2 sachets of 50 grams of descaling agent in it.
- Pour the solution into the water boiler. This will start a (fizzy) reaction on the scale deposits.
- Leave this solution during 10 minutes to soak in.
- Regularly spread the solution over the scaled parts in the hot water boiler using a brush. Draw off some solution and pour it back immediately.
- The entire water boiler can be emptied by using the water drain (22) on the back of the appliance.
- Make sure that the end of the tap hose is in the sink.
- Pull the tap plug together with approx. 20 cm hose out of its compartment. Remove the plug by squeezing the hose just before the seal plug. Warning: The water is still hot.
- Draw the water boiler completely empty and rinse well using clean warm water. Rinse away all the solution.
- Close the tap hose and push it back into its compartment.
- Switch the water boiler on/off (13). The water boiler will fill up again.
- If there is still scale in the water boiler, repeat steps 3 to 9.
- Before use, rinse the no-drip tap once more by drawing off approx. 1 litre of hot water.
- The water boiler is now ready for use.

## 5. Installation

### 5.1 General

#### 5.1.1 Unpacking

The machine has been carefully packed to prevent damage being caused to your new coffee maker. Remove the packing carefully without using sharp objects. Check if the appliance is complete. The appliance is delivered with the following accessories:

	M 200W	M 202W	MT 200W	MT 202W
Glass jug	2	4	-	-
Thermos container	-	-	1	2
Basket filter	1	2	1	1
Filter paper (25 pcs.)	1	1	1	1
Coffee measuring cup	1	1	1	1
Water measuring cup	-	-	1	1
Funnel	1	1	1	1
Water connection hose	1	1	1	1
Manual	1	1	1	1
Synthetic drip tray	-	-	1	2
Stainless steel drip tray	1	1	1	1

Please contact your dealer if any parts are missing or damaged.

## 5.2 Installation

### 5.2.1 Preparation for positioning the appliance



Water always remains in the heating system: for this reason the appliance must not be placed in an area where the temperature can fall below freezing point.

- Position the appliance at buffet height on a firm, level base that can bear the weight of the appliance when it is filled.
- Position the appliance level and in such a way that it cannot cause any damage if it leaks.
- The water supply pipe (G3/4" pipe 15 mm) and the power connection must be located within a half metre of the appliance.
- The owner must have these installation-technical preparations performed by qualified engineers in accordance with general and local regulations.
- The service engineer may only connect the appliance to the prepared connections.

### 5.2.2 Electrical connections

Supply voltages and frequencies can differ between countries. Check if the appliance is suitable for connection to the local power mains. Check if the details on the type plate correspond. Connect the appliance to an earthed wall socket.

### 5.2.3 Connection to the water mains




Connect the appliance using the water hose to an easily accessible cold water tap that can be quickly closed if problems arise.

### 5.2.4 Water drainage

If the reservoir is overfilled owing to a defect, the excess water will be discharged via the water drain at the bottom of the appliance. Make allowance for this when positioning the appliance.

## 5.2.5 Setting the descale indicator

Scale deposits are left in the heating system when the appliance is used. The amount of scaling depends on the hardness of the water being used. The appliance is fitted with a descale light (5.2), which lights up when the heating system has processed a certain quantity of water and has to be descaled. The appliance continues to work so that it can be descaled when it is not being used.

Water hardness	Indication lights	Brewing processes	Hardness		
			°D	mmol/l	°f
<b>Soft</b>		512	< 8	< 1,44	< 14
<b>Normal*</b>		256	8 – 12	1,44 – 2,16	14-21
<b>Hard</b>		128	> 12	> 2,16	> 21

\*Standard setting

If you are unaware of the hardness of your mains water, you are advised to contact your local water supply company.

Set the appliance to your water hardness as follows, using the table above as a guideline.

- Switch off the appliance (1).
- Hold in the programme button (5.4) and switch the appliance back on.
- Press the programme button (5.4) until the right indicator light (5.2/5.3) lights up. (E.g. only the red lamp should light up for hard water).
- Wait for 6 seconds. The water hardness has now been set.

## 5.2.6 Resetting the descale indicator light

After the descaling procedure (see chapter ‘Descaling’) hold in the programme button for 6 seconds. The descaling indicator light will now go out.

## 6. Troubleshooting



Have all repairs to the electrical system performed by a qualified service technician.

If your appliance is not functioning correctly, use the troubleshooting guide below to see whether you can resolve the problem yourself. If not, please contact your dealer.

Symptom	Possible cause	Action
The appliance is not working and the lamps in the switch are not lighting up.	The fuse in the fuse box has been triggered, the group is too loaded heavily.	Replace the fuse or reset it. Connect the appliance to a separate group.
The brewing process indicator light is flickering, no water is getting into the filter.	The jug indicator is not registering a jug. There is no jug under the filter.	Position a jug, use the correct jug.
The brewing process indicator light is on, but no water is getting into the filter.	The dry-boil protection has been triggered.	Reset the dry-boil protection.
The descale indicator light has come on.	The scaling deposits in the heating system exceed the set limit.	Descalate the appliance.
The descale indicator light remains on after descaling the appliance.	The appliance has not yet been reset.	Press the programme button for 6 seconds. The light will go out.
Steam coming from the filter.	The appliance was not descaled when indicated by the descaling indicator light or the wrong water setting has been applied.	Descalate the appliance.
Coffee is dripping out of the filter when there is no jug under it.	The leak stop valve on the outlet of the filter is soiled or damaged.	Clean the filter and check the leak stop valve for damage.
The coffee is too strong.	Too much coffee has been placed in the filter.	Reduce the amount of coffee.
The coffee is too weak.	Not enough coffee has been placed in the filter.	Increase the amount of coffee.
	The water distributor is soiled, so that the coffee is not being completely drenched.	Unscrew the water distributor and clean it.
The coffee is not hot enough	There is no lid on the jug	Use the lid.
The jug is too full or is overflowing.	The set quantity is too high.	Lower the quantity.
Not enough coffee is getting into the jug.	The set quantity is too low.	Increase the quantity.
E1 (filling time error).	Appliance fills too slowly, the water supply is blocked.	Check the water supply. Fully open the tap. Increase the water pressure. Switch the appliance on and off. The error report will disappear.
An E2, 3, 4, 5, 6 appears in the display and both indication lights flicker.	The control unit is reporting a defect that can only be resolved by a service technician.	Contact dealer or service technician.

## Troubleshooting

Symptom	Possible cause	Action
After filling until the max. level, the heating is not switched on.	The dry-boil protection has been switched off.	Switch the dry-boil protection back on.
The water boiler does not heat up, both indicator lights are flickering.	The safety electrode has turned off the system, the water level is too high. The lower electrode needs to be descaled.	Switch off the water boiler. Descale the water boiler and the electrodes. Please note: after descaling, the electrodes need to be free acid.
	The water temperature is set too high. The water is boiling and touches the safety electrode which turns off the system.	Switch off the water boiler. Set the water temperature at a lower level. Clean the electrodes.
After descaling the water boiler does not fill up.	The electrodes are not free of acid.	Switch the water boiler off and then turn it on again.
The water boiler does not heat up or fills partially and switches off, both indicator lights start to flicker.	The water boiler fills up too slowly.	Open the water supply tap completely. Check the connection hose on kinks. Check if the filter of the solenoid valve is clogged up.
The water boiler does not heat up, both indicator lights keep flickering. Switching the water boiler off and back on, does not help.	Switch off the appliance.	Call for your dealer or service technician.

## **8. Technical specifications**

**Electrical diagram M200W**

**Electrical diagram M200W**

**Electrical diagram M202W**

**Electrical diagram M202W**

**Electrical diagram MT200W**

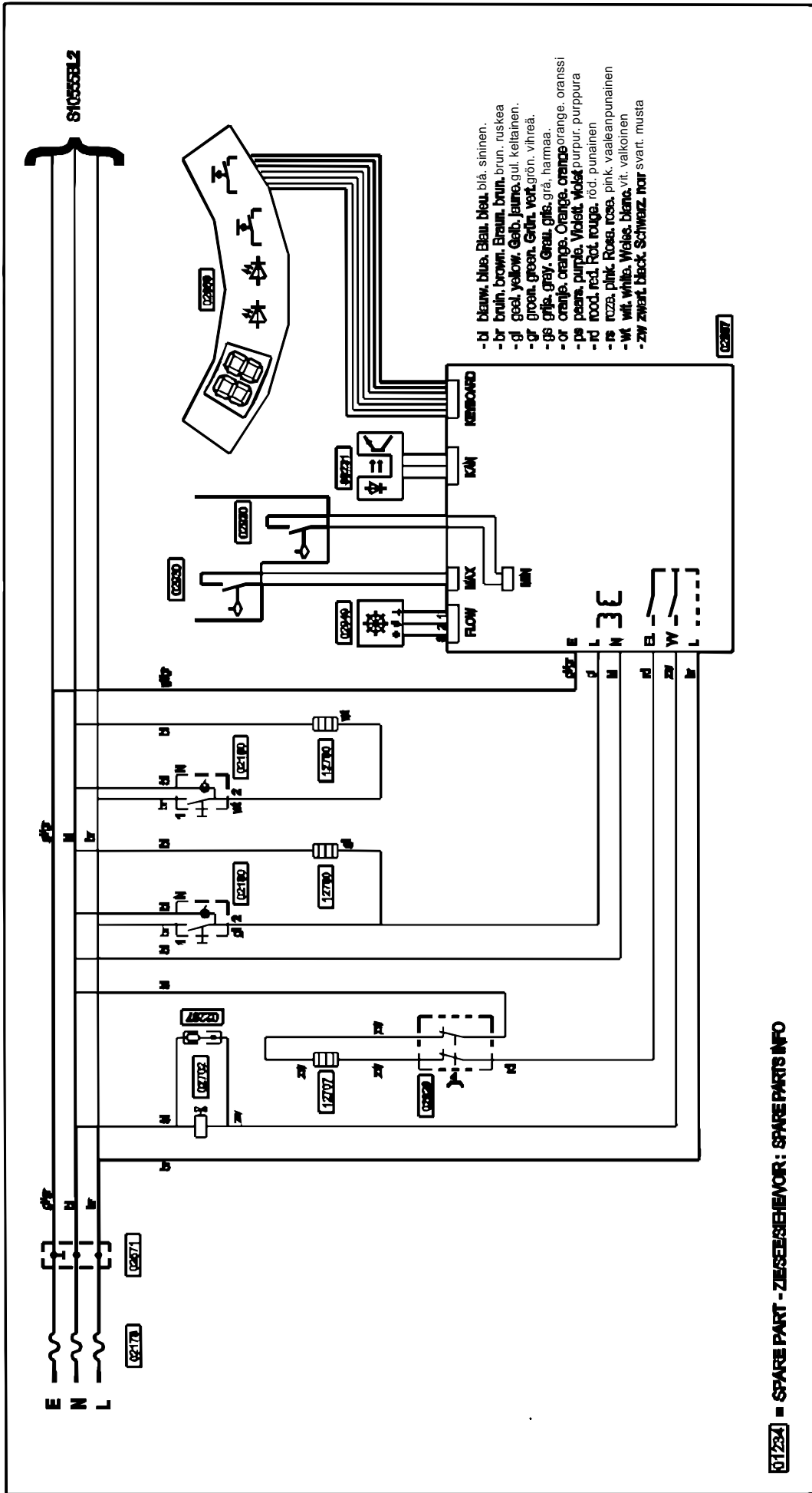
**Electrical diagram MT200W**

**Electrical diagram MT202W**

**Electrical diagram MT202W**

**Installation drawing M200W, M202W**

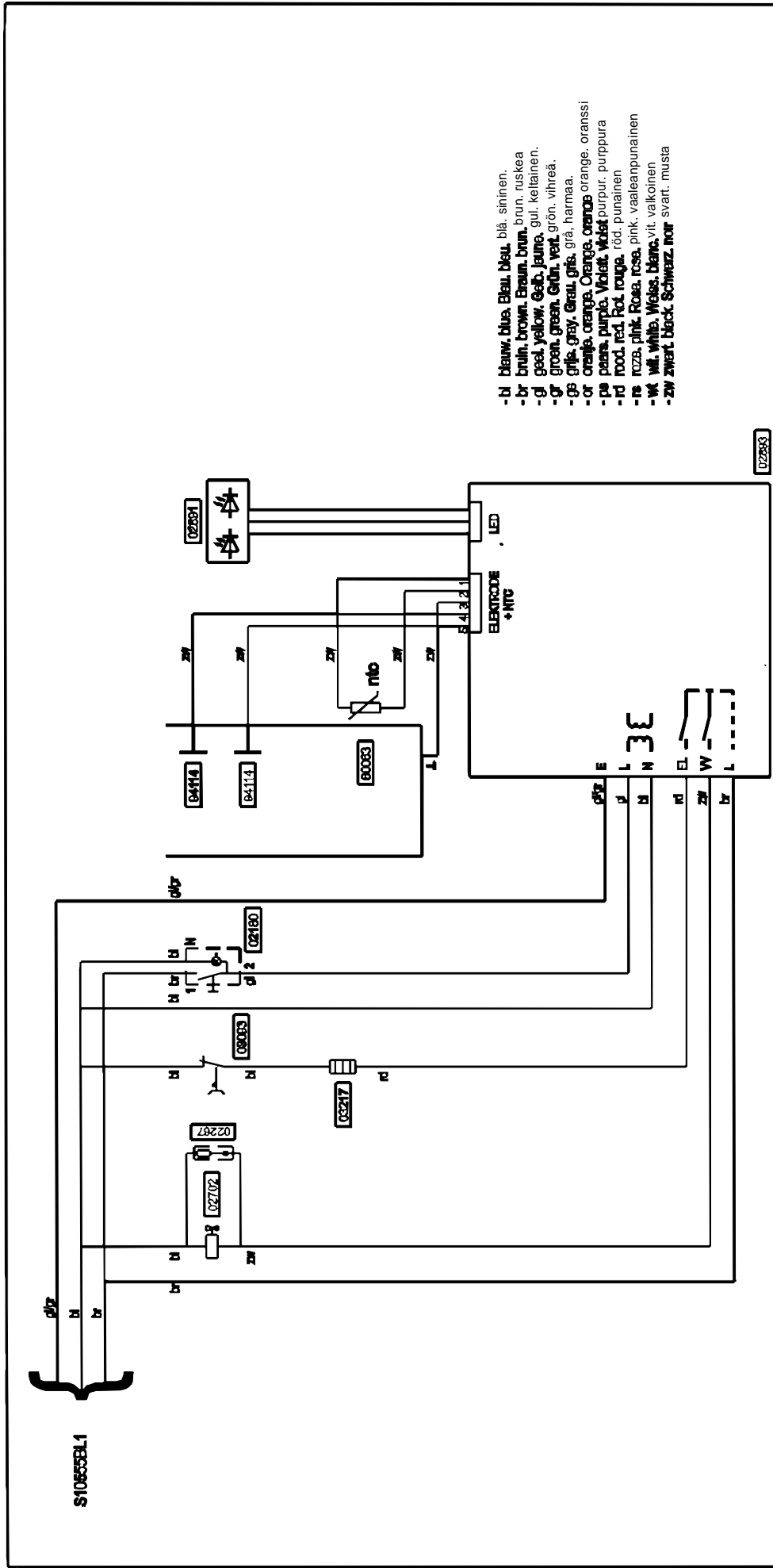
**Installation drawing MT200W, MT202W**



Type : M200W - METOS	From mach.nr.: 4J33547	Page : 1-2	Drawer : RLF
Artikel : 10555-1	Date : 17-11-00	Rev. : 0	Date : 08-04-01
Rated voltage : 1N- 220-240V 50-60Hz 3350W	CIRCUIT DIAGRAM	Assen Holland	Checked : Drawing nr.: S10555-1

Electrical diagram M200W



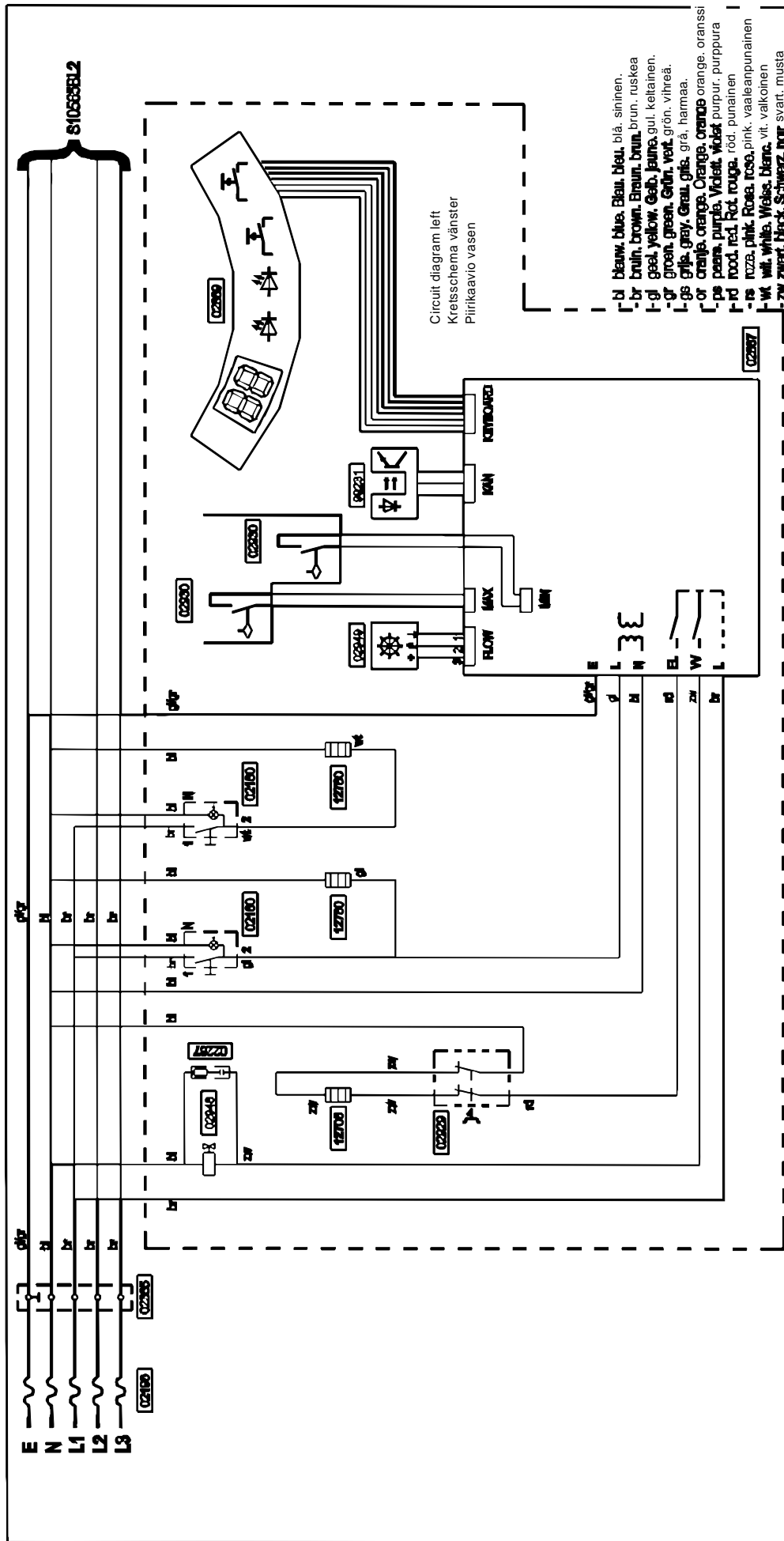


- bl blauw, bleu, Bleu, bleu, bíá, sininen.
- br bruin, brown, Braun, brun, brun, ruskea
- g geel, yellow, Gelb, jaune, gul, keltainen.
- gr green, green, Grün, vert, grön, vihreä.
- gr gris, gray, Grau, gris, grå, harmaa.
- or orange, orange, Orange, oranges, orange, oranssi
- pa paars, purple, Violet, Violet, purpur, purppura
- rd rood, red, Rot, rouge, rood, punainen
- rk rozb, pink, Rosa, rose, pink, vaalearpunainen
- vk wit, white, Weiss, blanc, wit, valkoinen
- zw zwart, black, Schwarz, noir, svart, musta

[01234] = SPARE PART - ZIESE/SE/SE/VOIR : SPARE PARTS INFO

Type	: M200W - METOS	From mech.nr.:	4J33547	Page	: 2-2	Drawer	: RLF	
Artikel	: 10555-1	Date	: 17-11-00	Rev.	: 0	Date	: 09-04-01	
Rated voltage:	1N~ 220-240V 50-60Hz 3350W	CIRCUIT DIAGRAM		Animo Assen Holland		Checked	:	
							Drawing nr.:	S10555-1

Electrical diagram M200W

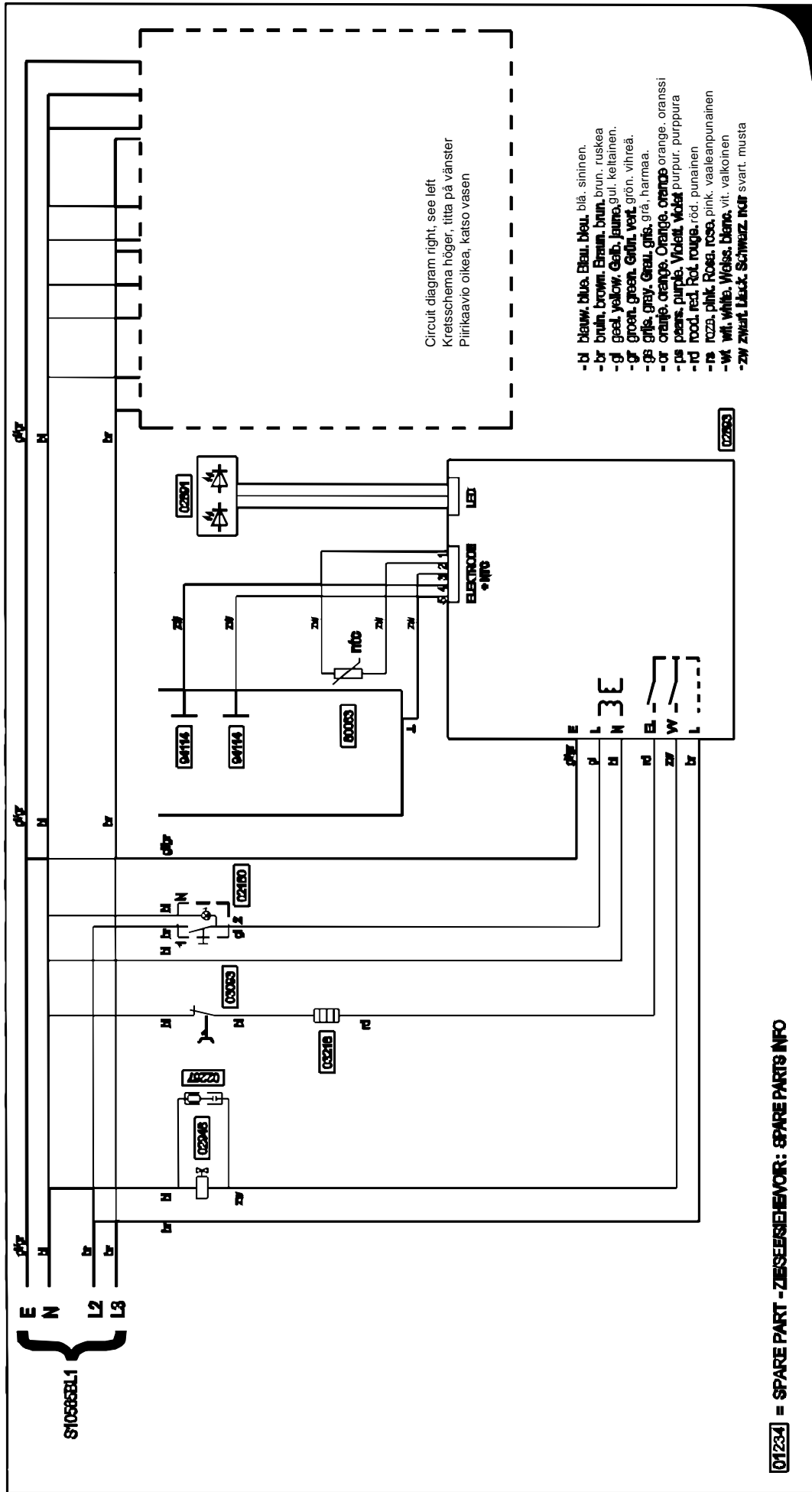


- bl blauw, blue, Bleu, bleu, blå, sininen.
- br bruin, brown, Braun, brun, brun, ruskea
- gl geel, yellow, Gelb, jauno, gul, keltainen.
- gr green, green, Grün, vert, grön, vihreä.
- gs grijs, gray, Grau, gris, grå, harmaa.
- or orange, orange, Orange, orange, oranje, oranssi
- ps peena, purple, Violet, violet, purpur, purppura
- rd rood, red, Röd, rouge, ród, punainen
- rs roze, pink, Rose, rose, pink, vaaleanpunainen
- wt wit, white, Weiss, blanc, vit, valkoinen
- zw zwart, black, Schwarz, noir, svart, musta

01234 = SPARE PART - ZIESEBENEHÖR: SPARE PARTS INFO

Type : M202W - METOS	From mach.nr.: 4J33547	Page : 1-2	Drawer : RLF
Artikel : 10565-1	Date : 17-11-00	Rev. : 0	Date : 09-04-01
Rated voltage : 3N~ 380-415V 50-60Hz 6600W	CIRCUIT DIAGRAM	Assen <b>Animo</b> Holland	Checked : Drawing nr.: S10565-1

Electrical diagram M202W

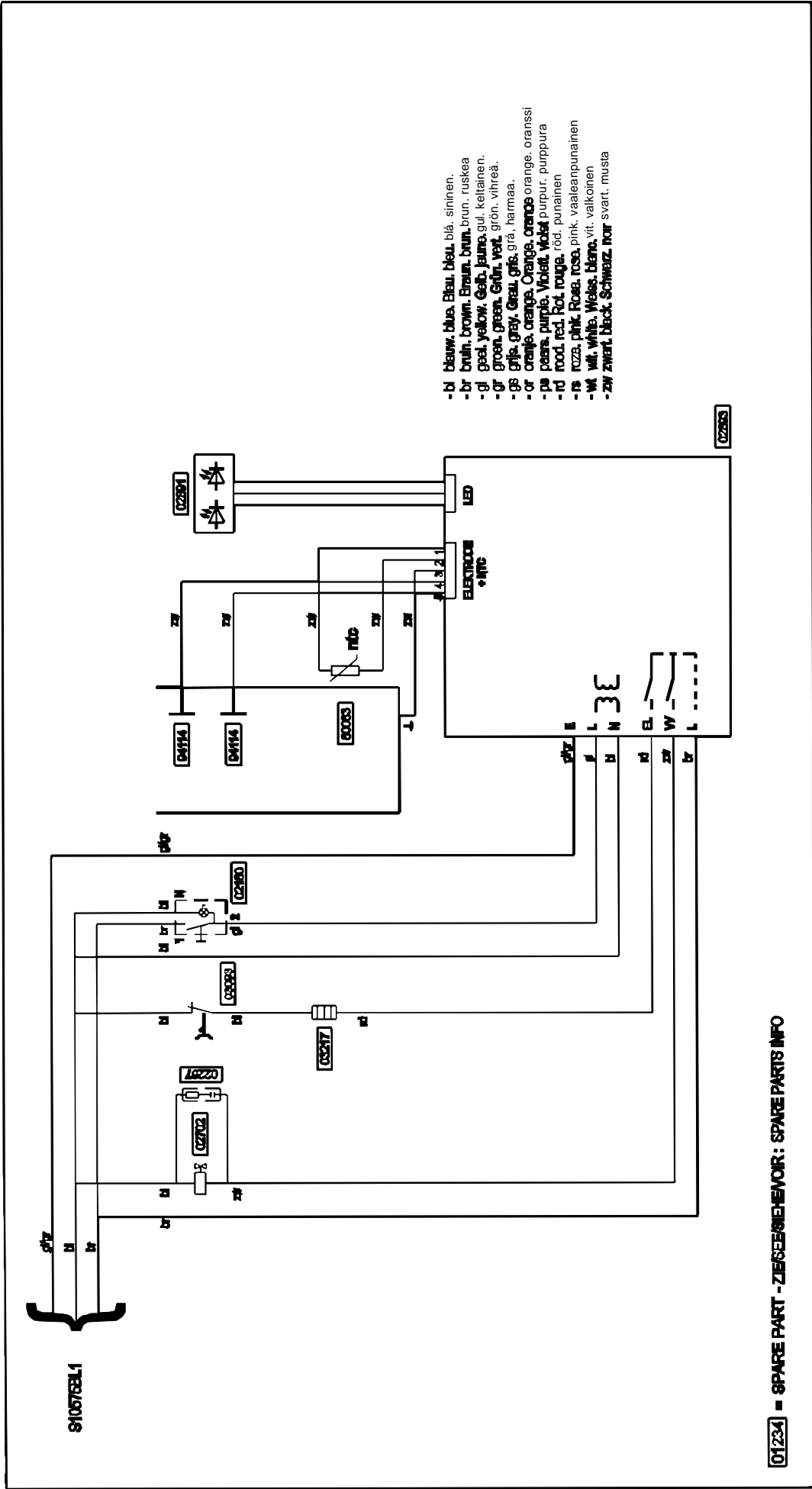


01234 = SPARE PART -ZIESEISELEVIOR: SPARE PARTS INFO

Type : M202W - METOS	From mach.nr.: 4J33547	Page : 2-2	Drawer : RLF
Artikel : 10565-1	Date : 17-11-00	Rev. : 0	Date : 09-04-01
Rated voltage : 3N- 380-415V 50-60Hz 6800W	CIRCUIT DIAGRAM	Checked : Drawing nr.: S10565-1	
		<b>Animo</b> Assen Holland	

Electrical diagram M202W



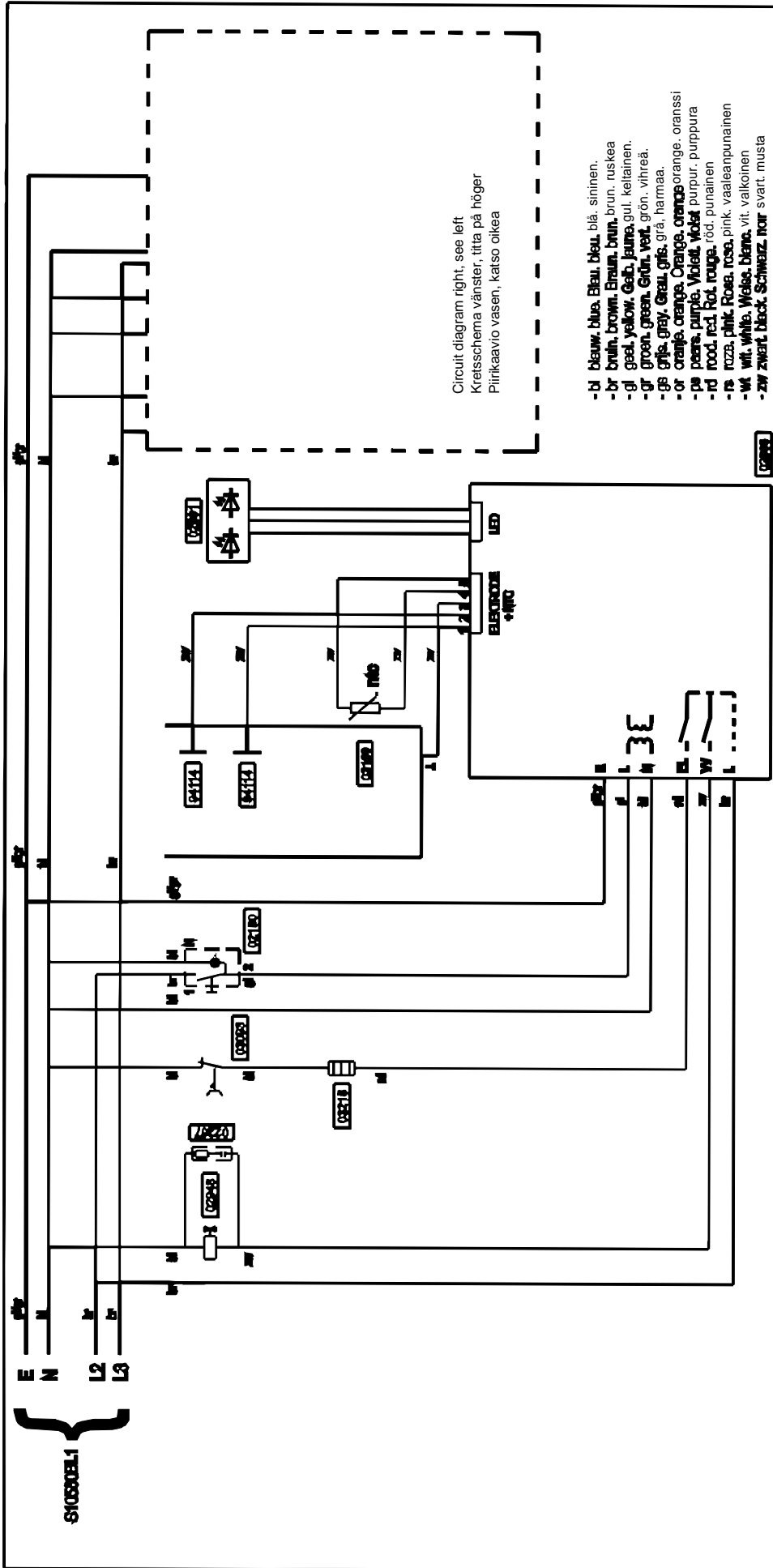


- bl blauw, blue, Bleu, bleu, blå, sininen.
- br bruin, brown, Braun, brun, brun, ruskea.
- gl geel, yellow, Gelb, jaune, gult, keltainen.
- gr groen, green, Grün, vert, grön, vihreä.
- gr grijs, gray, Grau, gris, grå, harmaa.
- or oranje, orange, Orange, orange, oranje, oranssi.
- ps paars, purple, Violet, Violet, purpur, purppura.
- rd rood, red, Rot, rouge, ród, punainen.
- rs roze, pink, Rosa, rosa, pink, vaaleanpunainen.
- wt wit, white, Weiss, blanc, vit, valkoinen.
- zw zwart, black, Schwarz, noir, svart, musta.

Type : MT200W - METOS	From mech.nr.: 4J33547	Page : 2-2	Drawer : RLF
Artikel : 10575-1	Date : 17-11-00	Rev. : 0	Date : 09-04-01
Rated voltage : 1N- 220-240V 50-60Hz 3200W	CIRCUIT DIAGRAM	Checked : Drawing nr.: S10575-1	
		<b>Animo</b> Assen Holland	

Electrical diagram MT200W





01234 - SPARE PART - ZEROSSENSOR : SPARE PARTS INFO

Type : MT202W - METOS

Artikel : 10580-1

Rated voltage : 3N~ 380-415V 50-60Hz 6300W

From mach.nr.: 4J33547

Date : 17-11-00

CIRCUIT DIAGRAM

Page : 2-2

Rev. : 0

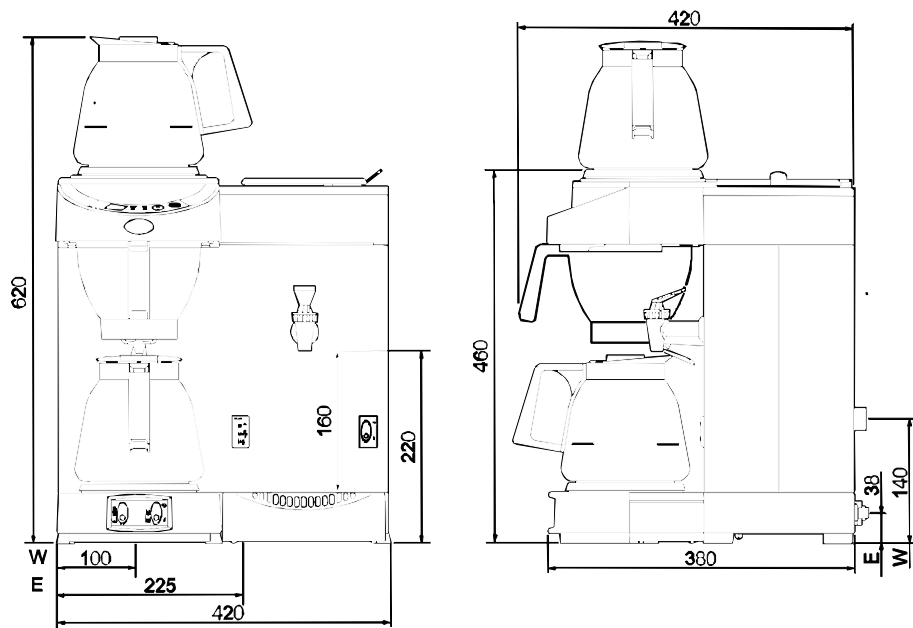
**Animo**  
Assen  
Holland

Drawer : RLF

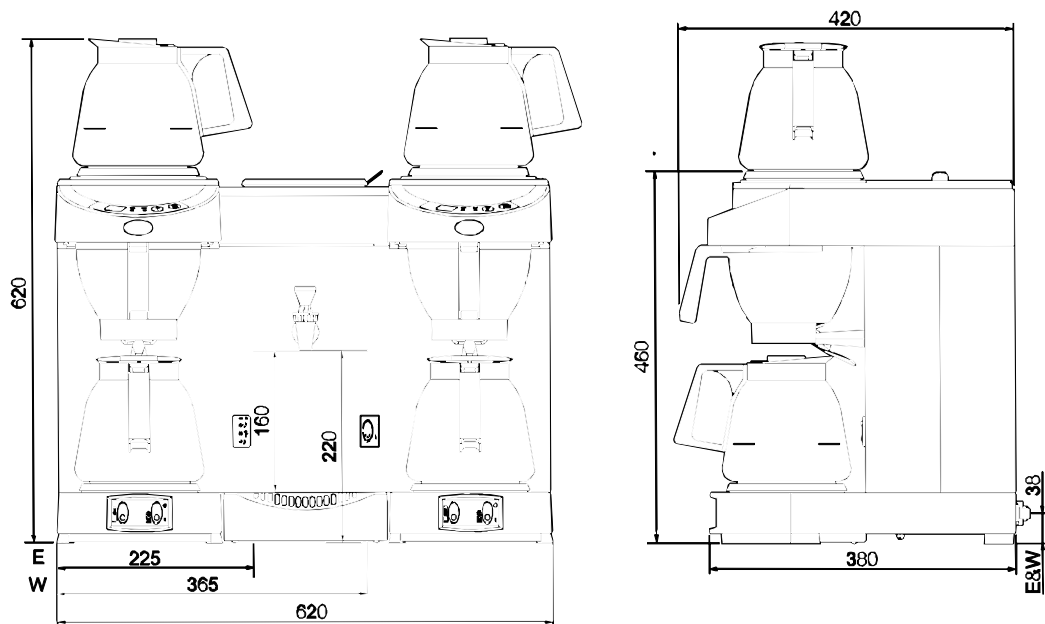
Date : 09-04-01

Checked :

Drawing nr.: S10580-1



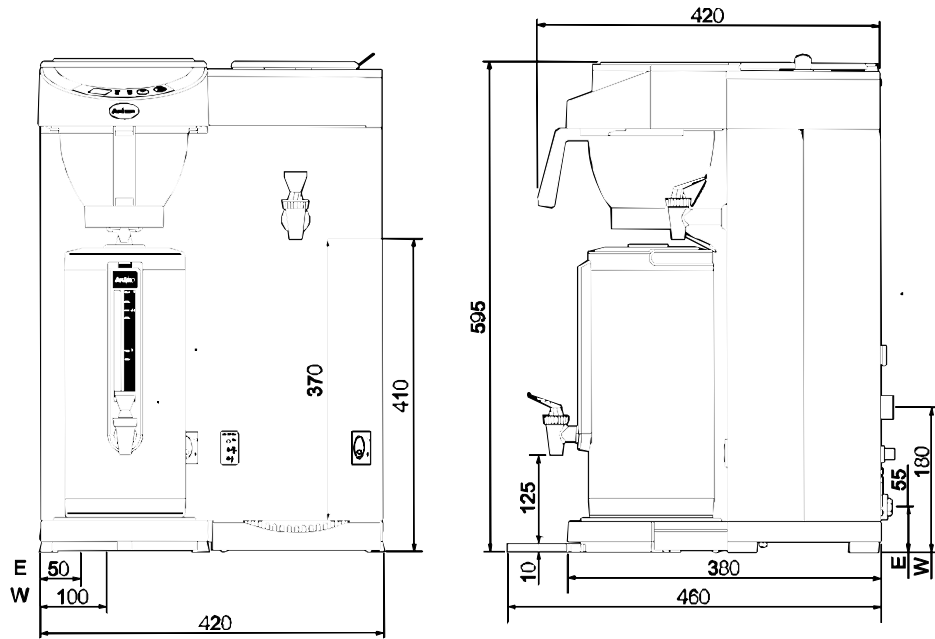
**M200W**



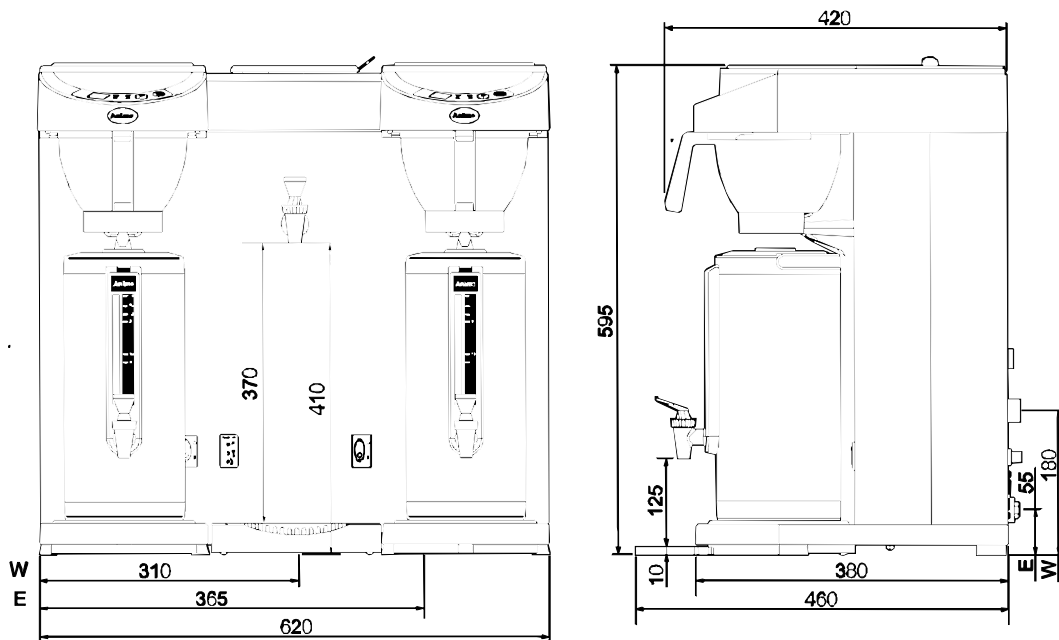
**M202W**

E = Electric connection / Elanslutning / Sähköliitäntä  
 W = Water connection / Vattenanslutning / Vesiliitäntä





**MT200W**



**MT202W**

E = Electric connection / Elanslutning / Sähköliitäntä  
 W = Water connection / Vattenanslutning / Vesiliitäntä

## Technical specifications

Item	Type	Specification
Buffer stock coffee	M200W	3.6 l. / 28 cups
Buffer stock coffee	M202W	7.2 l. / 56 cups
Buffer stock coffee	MT200W	2.4 l. / 19 cups
Buffer stock coffee	MT202W	4.8 l. / 38 cups
Hourly coffee capacity	M200W,MT200W	14 l. / 112 cups
Hourly coffee capacity	M202W,MT202W	36 l. / 288 cups
Jug filling time	M200W	approx. 8 min.
Jug filling time	M202W	approx. 6 min.
Jug filling time	MT200W,MT202W	approx. 8 min./ 2.4 l.
Coffee amount	M200W,M202W,MT200W,MT202W	1 - 3 l.
Buffer stock hot water	M200W,M202W,MT200W,MT202W	1.8 l. / 14 cups
Hour capacity hot water	M200W,MT200W	16 l. / 128 cups
Hour capacity hot water	M202W,MT202W	21 l. / 168 cups
Heating time water boiler	M200W,MT200W	11 min.
Heating time water boiler	M202W,MT202W	9 min.
Supply voltage	M200W,MT200W	220-240V
Supply voltage	M202W,MT202W	3N 380-415V
Frequency	M200W,M202W,MT200W,MT202W	50-60Hz
Total output	M200W	3350W
Total output	M202W	6600W
Total output	MT200W	3200W
Total output	MT202W	6300W
Filter paper	M200W,M202W,MT200W,MT202W	90 / 250
Min. water pressure	M200W,M202W,MT200W,MT202W	0.02 Mpa (0.2 bar)
Max. water pressure	M200W,M202W,MT200W,MT202W	1 Mpa (10 bar)
Empty weight	M200W,MT200W	14 kg
Empty weight	M202W	22 kg
Empty weight	MT202W	23 kg
Transport dimensions (LxWxH)	M200W	600x475x520 mm
Transport dimensions (LxWxH)	M202W	600x700x520 mm
Transport dimensions (LxWxH)	MT200W	485x445x910 mm
Transport dimensions (LxWxH)	MT202W	700x445x910 mm

