

metos
kitchen intelligence[®]

Metos Chef Convection and Roasting Ovens



www.metos.com

METOS CHEF 50T AND 40T CONVECTION OVENS



Chef 40T GN1/1



Chef 50T bakery plates 450x600 mm

Metos Chef 50T and Chef 40T ovens are built into the operational Bake-Off baking point for shops, cafés or industrial kitchens.

- equipped with humidifier and large fan
- can be installed separately or assembled in a group

Chef 50T capacity:

- guide rails for 5 bakery plates, size 450x600 mm, standard
- guide distance 82 mm

Accessories

- stand for one unit with plate rack and guide rails for 10 plates

Chef 40T capacity:

- in baking 5 x GN1/1 plates, guide distance 80 mm

Accessories

- optional guide rails for 3 x GN1/1 plates for cooking, distance 125 mm
- stands for one, two and three units



Perfect for bake-off

Convection ovens Chef 50T and 40T	Code	Capacity	Dimensions mm	Electric connection
Chef 50T convection oven	3751965	for bakery plates 400x600 or 450x600	800x800x520	400V 3N~ 7,6 kW 16A
Chef 40T convection oven	3751962	Bake-off/baking 5xGN 1/1	800x600x520	400V 3N~ 7,6 kW 16A
Chef 40T guide rails	3672071	for cooking 3xGN1/1		
Stands				
Chef 50T stand	4570509	For one unit, guide rails for 10 plates	800x800x1000	
Chef 40T stand 1U	4570925	For one unit, guide rails for 10 plates	775x560x1000	
Chef 40T stand 2U	4570932	For two units, guide rails for 7 plates	775x560x660	
Chef 40T stand 3U	4570957	For three units	775x560x200	

METOS CHEF 240 CONVECTION OVEN



Chef 240 GN2/1

Metos Chef 240 is suitable for all cooking and baking.

- equipped with humidifier and large fan
- can be installed separately or assembled in a group

Chef 240 capacity:

- cooking 2 x GN 2/1 or 4 x GN 1/1, distance 125 mm

Accessories

- guide rails for baking 3 x GN 2/1 or 6 x GN 1/1, distance 100 mm
- stands for one, two and three units

Convection oven Chef 240	Code	Capacity	Dimensions mm	Electric connection
Chef 240 convection oven	3751958	2x GN2/1 or 4xGN1/1	800x800x460	400V 3N~ 7,6 kW 16A
Chef 240 oven group 2U	3751978	2x Chef 240 + stand Metos 2928		400V 3N~ 15,2 kW 16A
Chef 240 oven group 2U+Chef 200	3751986	2x Chef 240 + Chef 200 + stand 2908		400V 3N~ 16,1 kW 16A
Chef 240 guide rails	3593486	for baking 3xGN 2/1 or 6xGN 1/1		
Stands				
Stand Metos 2948	3466135	Chef 200, 220, 240 (GN2/1) for one unit	790x710x900	
Stand Metos 2928	3293475	Chef 200, 220, 240 (GN2/1) for two units	790x710x660	
Stand Metos 2908	3293482	Chef 200, 220, 240 (GN2/1) for three units	790x710x200	

METOS CHEF 220 ROASTING OVEN



Chef 220 GN2/1

Metos Chef 220 roasting oven is an effective standard oven for industrial kitchens and it is uniformly successful with all kinds of traditional cooking and baking. An optional heat storage stone evens out oven temperature and improves baking results.

- robust standard oven
- can be installed separately or assembled in a group

Chef 220 capacity:

- in baking 1 x GN 2/1 or 2 x GN 1/1
- oven with upper and lower guide rails

Accessories

- optional heat storage stone
- stands for one, two and three units

Roasting oven Chef 220	Code	Capacity	Dimensions mm	Electric connection
Chef 220 roasting oven	3751969	1x GN 2/1 or 2xGN 1/1	800x800x460	400V3N~4,7 kW 10A
Chef 220 oven group 2U	3751976	2x Chef 220 + stand Metos 2928		400V3N~9,4kW 20A
Chef 220 oven group 3U	3751982	3x Chef 220 + stand Metos 2908		400V3N~14,1kW 25A
Chef 220 oven group 2U+Chef 200	3751984	2x Chef 220 + Chef 200 + stand 2908		400V3N~10,3kW 20A
Stands				
Stand Metos 2948	3466135	Chef 200, 220, 240 (GN2/1) for one unit	790x710x900	
Stand Metos 2928	3293475	Chef 200, 220, 240 (GN2/1) for two units	790x710x660	
Stand Metos 2908	3293482	Chef 200, 220, 240 (GN2/1) for three units	790x710x200	

METOS CHEF 200 PROVING CABINET



Chef 200 GN2/1

Metos Chef 200 proving cabinet ensures uniform baking quality from start to finish. The proving cabinet can be assembled in a group with Chef ovens.

- for proving baking products
- equipped with humidifier and fan
- can be installed separately or assembled in a group

Chef 200 capacity:

- 4 x GN 2/1 or 8 x GN 1/1 plates, distance 72 mm

Accessories

- optional guide rails for five 450x600 mm bakery plates, distance 73 mm

Proving cabinet	Code	Capacity	Dimensions mm	Electric connection
Chef 200 proving cabinet	3751975	4x GN2/1 or 8xGN 1/1	800x800x460	230V 1~0,9 kW 4A
Chef 200 guide rails	3595966	bakery plates 400x600 or 450x600		
Stands				
Stand Metos 2948	3466135	Chef 200, 220, 240 (GN2/1) for one unit	790x710x900	
Stand Metos 2928	3293475	Chef 200, 220, 240 (GN2/1) for two units	790x710x660	
Stand Metos 2908	3293482	Chef 200, 220, 240 (GN2/1) for three units	790x710x200	



Chef 50T stand for one unit, guide rails



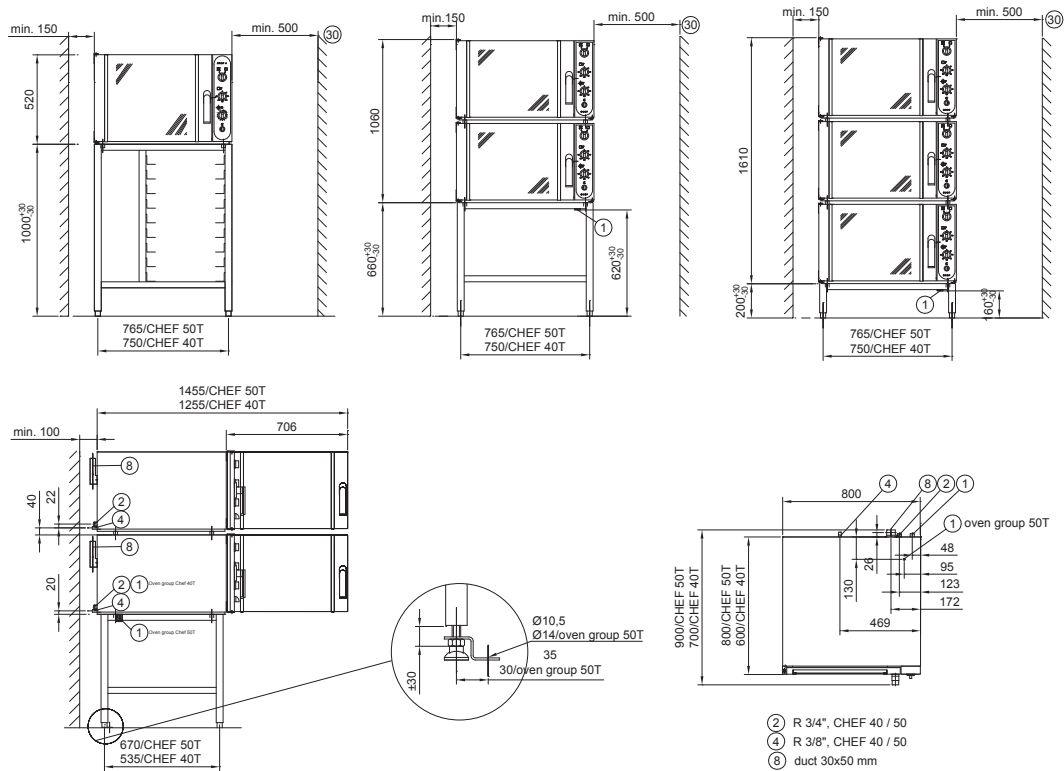
Chef 40T stand for one unit, guide rails



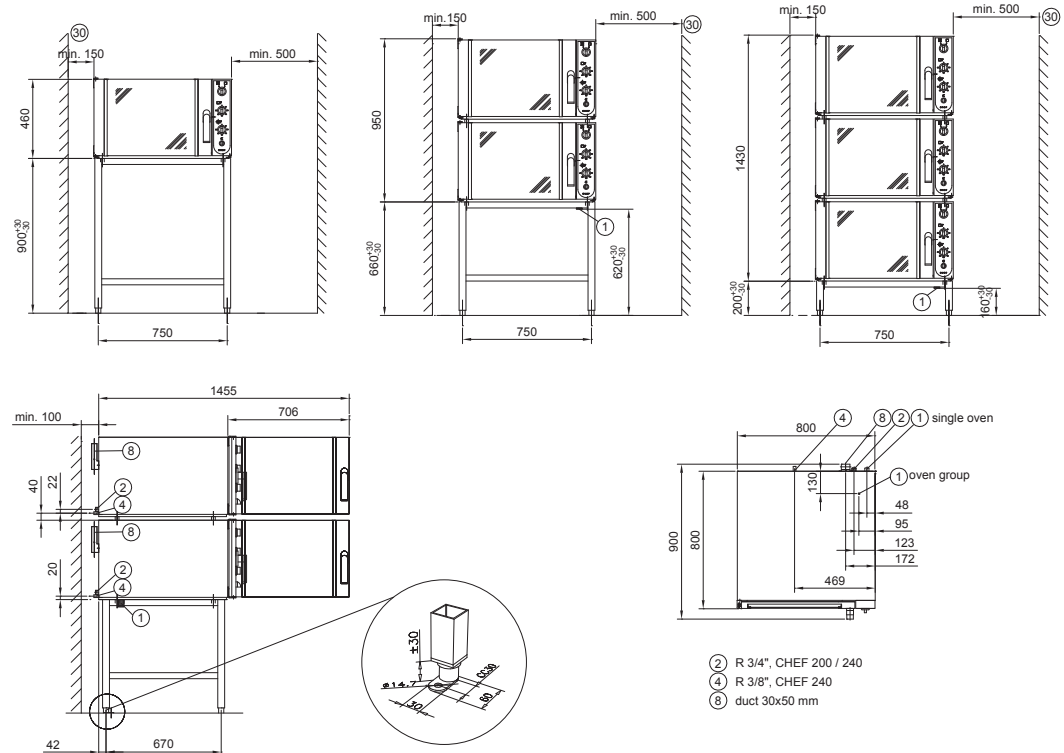
Chef 2928 stand for two units, shelf



METOS CHEF 40T/50T



METOS CHEF 240/220/200



Metos Manufacturing
 Ahjonkaarre
 FI-04220 Kerava, Finland
 Tel +358 204 3913
 international.sales@metos.com
 www.metos.com

