

metos
kitchen intelligence[®]

Metos Basic Line

Hygienic stainless steel kitchen units



BASIC LINE ASSORTMENT

Work and wash tables

- lengths 900, 1300 and 1700 mm, with two pairs of legs
- depths 650 and 700 mm
- basin P420 dimensions 335x400x200 mm or basin P520 dimensions 400x500x200 mm

Flat pack tables

Same dimensions

Wall cupboards

- WBL-1 700 400x320x700 mm
- WBL-2 700 800x320x700 mm

Floor cupboards

- FBL-1 600x600x2000 mm
- FBL-2 800x600x2000 mm



CONSTRUCTION

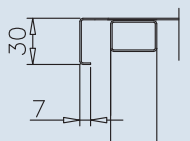
- stainless steel 1.4016
- tabletop 1,0 mm brushed stainless steel plate
- legs L-profile 30x30x1.5 mm
- body of stainless tubing 20x30x1.2 and 20x40x1.0 and U-profile
- modular cupboards, drawers, solid and grid shelves



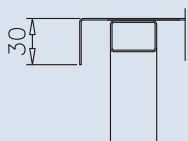
PROFILES

Standard profiles are presented in the drawings. Also special profiles and special splashbacks are available.

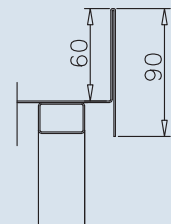
WORK TABLE



Work table front profile



Work table side and rear profiles



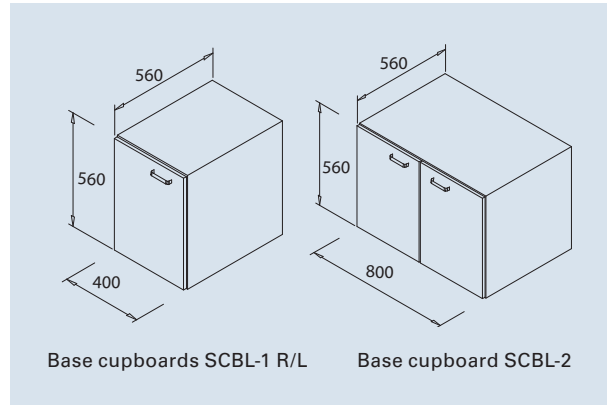
Work table rear profile with splashback



ALL STAINLESS STEEL BASE ELEMENTS

CUPBOARDS

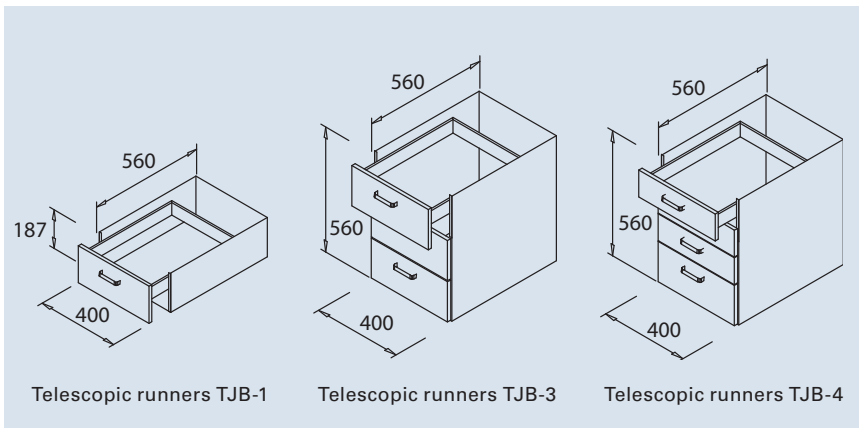
The body is of single casing construction and shelves chrome steel plate. Double casing construction with noise insulation in doors. Chromed handles, stainless steel hinges and door magnet. Stainless steel shelves, adjustment interval 25 mm. Single door cupboards can be ordered right or left handed.



DRAWERS

DRAWERS WITH TELESCOPIC RUNNERS

The body is of single casing construction, s=0.8-1.0 mm. Chromed handles. Galvanised telescopic runners without GN containers. Drawers can be pulled out entirely.

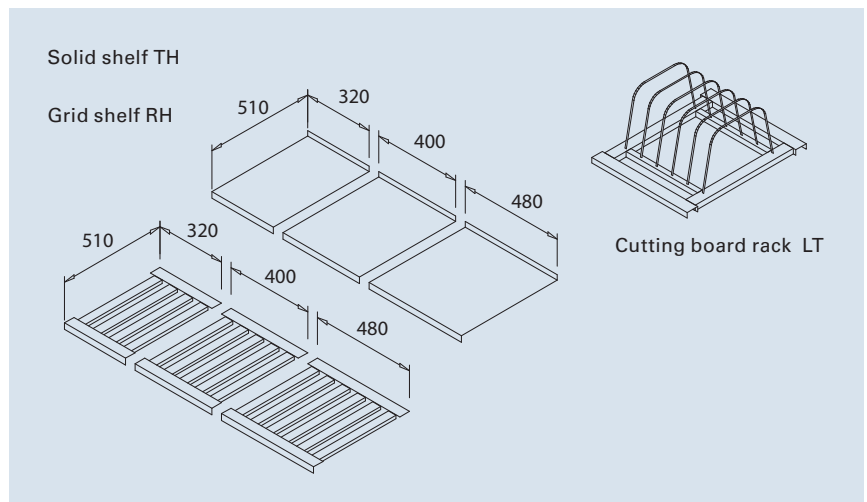


OTHER BASE ELEMENTS

Shelf elements (320, 400, 480 mm) are of dishwasher safe stainless steel.

ACCESSORIES

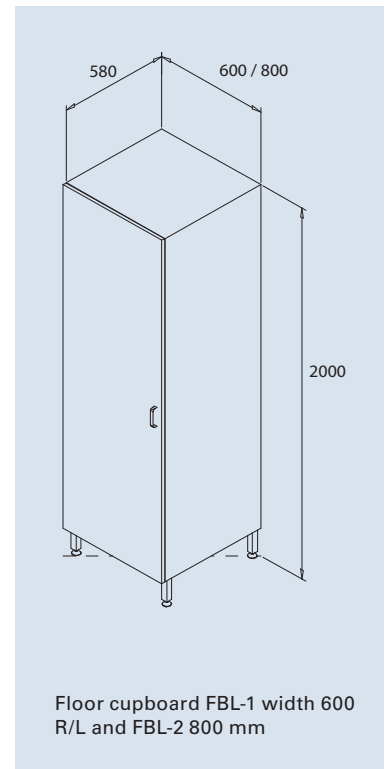
- GN 1/1 containers of s/s or plastic, depths 100 and 150 mm
- Splash guard for work table h=60 mm



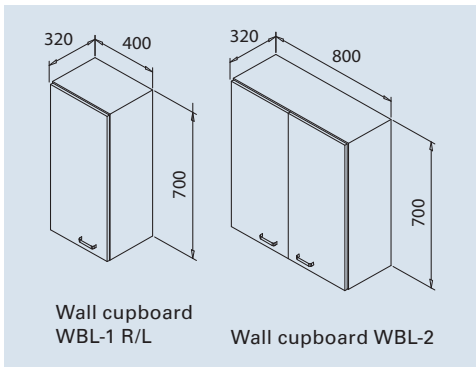
FLOOR AND WALL CUPBOARD



The body is of single casing construction, 0.8-1.0 mm EN 1.4016 chrome steel plate. Double casing construction with noise insulation in doors. Chromed handles, stainless steel hinges and door magnet. Stainless steel shelves, adjustment interval 25 mm. Floor cupboard with 4 shelves. Sockle height of floor cabinet 150 mm. Single door cupboards can be ordered right or left handed.



Floor cupboard FBL-1 width 600 R/L and FBL-2 800 mm



Metos Manufacturing
 Ahjonkaarre
 FI-04220 Kerava, Finland
 Tel +358 204 3913
international.sales@metos.com
www.metos.com/manufacturing

